

INSTALLATION GUIDE INSTALLATIONSANLEITUNG

V1.2

Issue Date: 2026-05-07

Ausstellungsdatum : 07-05-2026

ECOFLOW OCEAN 2 THREE-PHASE Solar Battery Storage Solution Photovoltaik-Batteriespeichersystem



Installation Guide
Installationsanleitung



User Manual
Benutzerhandbuch

For the latest documents, please scan the QR code.

Um die aktuellsten Dokumente zu erhalten, scannen Sie bitte den QR-Code.

CONTENTS

1	Disclaimer
1	Safety Instructions
1	Symbol Conventions
1	Safety Symbols
1	Important safety instructions
3	Technical Specification
5	Unpacking and Preparation
5	What's in the Box
6	Prepare Tools and Instruments
7	System Installation
7	Installation Environment Requirements
8	Installation Clearance Requirements
9	Installing Battery
11	Install Inverter
12	Application Scenarios
12	Single Inverter Setup
14	Multi Inverters Setup
16	Electrical Connection
17	Wiring Diagram
24	Connecting PE Cables
24	Connecting PV Input Cables
26	Communication Between Cascaded Inverters
26	Connecting GRID/BACKUP Cables
29	Cascading Batteries
30	Installing COM Terminal With Shorting Wire
32	(Optional) Installing Emergency Stop (EPO)
32	Connecting Ecosystem Appliances
33	Installing Earth Fault Alarm
33	Installing Demand Response Enabling Device
34	(Optional) Energy Metering Installation for Partial Backup System
35	(Optional) Energy Metering Installation for System with Third-Party PV Integration
38	Connecting to the Internet
39	Installing trim covers
40	System Commissioning
40	Checking before Power-On
40	System Power-On
40	System Power-Off
40	LED Indicators
41	Monitoring VIA EcoFlow APP
43	Help Home Owner for App Initial Setup
43	System Maintenance & Replacement
43	Routine Maintenance
44	Troubleshooting
44	Inverter Storage
44	Battery Storage and Recharge
44	Replacement
46	Decommissioning
46	Appendix
46	Important Information about Inverter Cascading

INHALT







49	Haftungsausschluss
49	Sicherheitshinweise
49	Bedeutung der Symbole
49	Sicherheitssymbole
49	Wichtige Sicherheitshinweise
51	Technische Parameter
53	AUSPACKEN UND VORBEREITUNG
53	Lieferumfang
54	Werkzeuge und Instrumente vorbereiten
55	Systeminstallation
55	Anforderungen an die Installationsumgebung
56	Installations-Freiraumanforderungen
57	Installation der Batterie
59	Installation des Wechselrichters
60	Anwendungsbereiche
60	Einzelwechselrichter-Konfiguration
62	Multi-Wechselrichter-Konfiguration
64	Elektrischer Anschluss
65	Schaltplan
69	Anschluss der PE-Kabel
69	Anschluss der PV-Eingangskabel
71	Kommunikation zwischen kaskadierten Wechselrichtern
72	Anschluss der NETZ-/BACKUP-Kabel
74	Kaskadieren von Batterien
75	Installation des COM-Terminals mit Kurzschlussdraht
77	(Optional) Installation eines Not-Aus-Schalters (EPO)
77	Vernetzung von Ökosystemgeräten
78	(Optional) Installation eines Energiezählers für ein Teil-Backup-System
80	(Optional) Installation eines Energiezählers für Systeme mit PV-Integration von Drittanbietern
82	Mit dem Internet verbinden
83	Montage von Abdeckungen
84	Inbetriebnahme des Systems
84	Überprüfung vor dem Einschalten
84	Einschalten des Systems
84	Ausschalten des Systems
84	LED-Anzeigen
85	Inbetriebnahme des Systems
87	Hilfe für Hausbesitzer bei der Ersteinrichtung der App
87	Anhang
87	Wichtige Informationen zur Kaskadierung von Wechselrichtern

Disclaimer









This product includes essential printed documentation required for setup and basic usage. For detailed manuals, resources, and the most up-to-date information about the product, visit <http://energy.ecoflow.com/eu/documentation/>. Fully read and understand the product documentation prior to use. Improper use may result in serious injury, damage, or property loss. By using this product, you agree to and accept all terms outlined in the product documentation. EcoFlow is not liable for losses, damages, or injuries caused by misuse or non-compliance.

Safety Instructions

I Symbol Conventions

Symbol	Description
 DANGER	Indicates a hazard with a high level of risk which, if not avoided, will result in death or serious injury.
 CAUTION	Indicates a risk of electric shock.
 WARNING	Indicates a hazard with a medium level of risk which, if not avoided, could result in death or serious injury.
 CAUTION	Indicates a hazard with a low level of risk which, if not avoided, could result in minor or moderate injury.
 NOTICE	Indicates a potential hazard which, if not avoided, could result in equipment damage, data loss, performance deterioration, or unanticipated results. NOTICE is used to address practices not related to personal injury.
	Indicates additional information that promotes understanding of the product or a topic.

I Safety Symbols

Icon	Name	Meaning
	Caution	Caution, risk of danger.
	Electric shock warning	Caution, risk of electric shock.
	Delayed discharge	Danger to life due to high voltages in the inverter; observe a waiting time of 5 minutes. High voltages that can cause lethal electric shocks are present in the live components of the inverter. Prior to performing any work on the inverter, disconnect it from all voltage sources as described in this document.
	Burn warning	Do not touch a running equipment because the enclosure is hot when the equipment is running.
	Refer to documentation	Reminds operators to refer to the documents delivered with the equipment.
	Grounding	Indicates the position for connecting the protective earthing (PE) cable.
	Symbol of a crossed-out trash can	WEEE designation Do not dispose of the product together with the household waste but in accordance with the disposal regulations for electronic waste applicable at the installation site.
	CE marking	The product complies with the requirements of the applicable EU directives.

I Important safety instructions

• GENERAL REQUIREMENTS



- Do not work with power on during installation.

- Before installing, operating, and maintaining the equipment, read and follow up the installation guide and safety instructions.
- Personnel who plan to install or maintain EcoFlow equipment must receive thorough training, understand all necessary safety precautions, and be able to correctly perform all operations.
- Installation, operation and maintenance must be carried out by trained and qualified personnel who understand all safety precautions, are capable of performing all operations correctly, and hold all legally required national qualifications for special operations, such as high-voltage operation, working at heights, and the operation of special equipment.
- Before installing, operating, and maintaining the equipment, always disconnect it from all power sources.
- Wear proper PPE (Personal protective equipment) before any operations.



When the photovoltaic array is exposed to light, it supplies a d.c. voltage to the PCE.



The product must only be operated with PV modules of protection class II in accordance with IEC 61730, application class A. The PV modules must be compatible with this product. Do not ground the PV array positive/negative pole.

- If the power cord of this equipment is damaged, it must be replaced by the manufacturer, customer service department or qualified personnel to prevent a safety hazard.
- Do not touch the exposed cable with your hands.
- Make sure the cables, connectors and ports are dry before starting up the equipment. Make sure all three are connected securely.
- Do not install, use, or operate outdoor equipment and cables in harsh weather conditions such as lightning, rain, snow, and level 6 or stronger wind.
- Tighten the screws to the specified torque using tools when installing the equipment.
- After installing the equipment, remove the remnants of the device installation area, such as cardboard boxes, foam, plastic, wire ties, stripped insulation materials, etc.
- All warning label and nameplates on the equipment should be visible after installation is complete. Do not scrawl, damage, or block any warning label on the device.
- Understand the components and functioning of a grid-tied PV power system and relevant local standards.
- Do not reverse engineer, decompile, disassemble, adapt, add code to the device software or alter the device software in any other way. Any other operation that violates the original design specifications of the device hardware and software is not allowed.
- If there is a probability of personal injury or equipment damage during operations on the equipment, immediately stop the operations, take feasible protective measures.
- Do not touch the energized equipment, as the enclosure is hot.
- Before installing PV modules, please read its user manual carefully.
- The system is not suitable for power supplying life-sustaining medical devices. It cannot guarantee backup power in all circumstances.
- Do not connect loads between the inverter and the AC switch that directly connects to the inverter.

• ELECTRICAL SAFETY REQUIREMENTS

Grounding

- For the equipment that needs to be grounded, install the ground cable first when installing the equipment and remove the ground cable last when removing the equipment.
- Ground the PE hole of GRID connector, BACKUP connector and the equipment enclosure.
- Do not damage the grounding conductor.
- Do not operate the equipment in the absence of a properly installed grounding conductor.
- Ensure that the equipment is connected permanently to the protective ground. Before operating the equipment, check its electrical connection to ensure that it is securely grounded.

General Requirements



Before connecting cables, ensure that the equipment is intact. Otherwise, electric shocks or fire may occur.

- Ensure that all electrical connections comply with local electrical standards.
- Obtain approval from the local electric utility company before using the equipment in grid-tied mode.
- Ensure that the cables installer prepared meet local regulations.
- Use dedicated insulated tools when performing high-voltage operations.
- Before connecting a power cable, check that the label on the power cable is correct. When fabricating cables and installing connectors on site, follow the respective instructions in this manual and the requirements of local laws and regulations.
- Before operating the equipment, disconnect all power to the equipment and wait for the corresponding delayed discharge time to ensure that the equipment is completely deenergized.

Cabling

- The cabling path must avoid the equipment cooling system and parts.
- When routing cables, ensure that a distance of at least 30 mm exists between the cables and heat-generating components or areas. This prevents damage to the insulation layer of the cables.

3. Bind cables of the same type together. Mutual entanglement or cross-deployment is not allowed.
4. Ensure that the cables used in a grid-tied PV power system are properly connected and insulated and meet specifications.

while the use of an RCD with a lower rated residual operating current is also permitted if it is required by the specific local electrical codes.

• EMC PROTECTION CLASS

Class B

• INSTALLATION ENVIRONMENT REQUIREMENTS

1. Ensure that the equipment is installed in a well ventilated environment.
2. To prevent fire due to high temperature, ensure that the ventilation vents or heat dissipation system are not blocked when the equipment is under operation.
3. Do not expose the equipment to flammable or explosive gas or smoke. Do not perform any operation on the equipment in such environments.
4. Do not place the equipment next to any heat source, fire source, or water source, and not to perform any operation on the equipment next to that heat source, fire source, or water source.

• EQUIPMENT AND PERSONNEL SAFETY REQUIREMENTS

Move the inverter and battery

1. When moving the equipment by hand, wear protective gloves to prevent injuries.
2. Move the equipment with precaution as it is heavy. Two or more people are needed to assist in moving the equipment.
3. Always be aware of the weight of the inverter and the battery.
4. Avoid dropping the inverter or battery, or subjecting them to mechanical impact.
5. Do not place the inverter or battery directly on a hard surface. Place protective materials such as a sponge pad or foam cushion underneath to prevent damage to the metal enclosure.
6. Lift the inverter and the battery by holding both sides or its handles. Do not hold the terminals directly. Do not hold the terminals directly. Place protective materials, such as a sponge pad or foam cushion, underneath the terminals to prevent damage.
7. Move and install the battery in an upright position. Do not place the battery upside down or tilt it.
8. Do not release your the battery or inverter until it is placed securely and stably.

Drilling Holes

1. Wear goggles and protective gloves when drilling holes.
2. When drilling holes, protect the equipment from shavings or dust. After drilling, clean up any shavings or dust that have accumulated at the installation site in a timely manner, otherwise, it may block the drilled hole.

• GROUNDING CONDUCTOR MONITORING

1. The inverter is equipped with a grounding conductor monitoring device. This grounding conductor monitoring device detects when there is no grounding conductor connected and disconnects the inverter from the utility grid if this is the case. Depending on the installation site and grid configuration, it may be advisable to disable the grounding conductor monitoring. This can be necessary, if there is no neutral conductor present and you intend to install the inverter between two line conductors.
2. Grounding conductor monitoring must be disabled after initial start-up depending on the grid configuration. Safety in accordance with IEC 62109 when the grounding conductor monitoring is deactivated. In order to guarantee safety in accordance with IEC 62109 when the grounding conductor monitoring is deactivated, you have to connect an additional grounding conductor to the inverter.
3. Connect an additional grounding conductor that has a cross-section of at least 10 mm². Ground the PE hole of GRID connector and the equipment enclosure.



• DISPOSAL

This marking indicates that this product should not be disposed of with other household waste within the EU. Recycle this product properly to prevent possible damage to the environment or a risk to human health via uncontrolled waste disposal and in order to promote the sustainable reuse of material resources. Please return your used product to an appropriate collection point or contact the retailer where you purchased this product. Your retailer will accept used products and return them to an environmentally-sound recycling facility. For information on the disposal of electrical and electronic equipment, please refer to the following website:
<https://eu.ecoflow.com/pages/electronic-devices-disposal>

• SETTING THE RATED RESIDUAL CURRENT OF THE RESIDUAL-CURRENT DEVICE

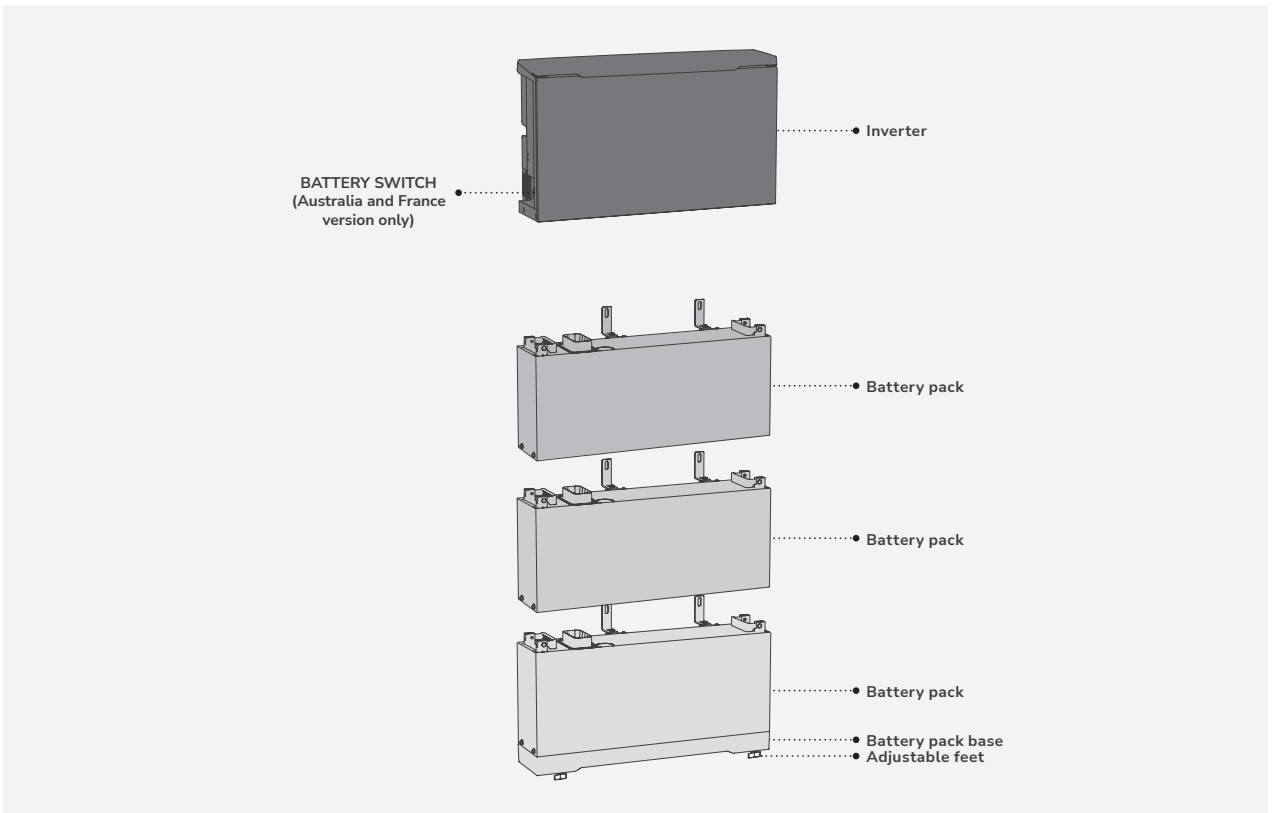
RCDs (Type A) with a rated residual operating current are recommended to install, 300mA on the AC-GRID side, and 30 mA on the AC-BACKUP side,

Technical Specification

Technical parameters		EF HD-P3-5K0-S2/ EF HD-P3-5K0-S2F	EF HD-P3-6K0-S2/ EF HD-P3-6K0-S2F	EF HD-P3-8K0-S2/ EF HD-P3-8K0-S2F	EF HD-P3-10K0-S2/ EF HD-P3-10K0-S2F	EF HD-P3-12K0-S2/ EF HD-P3-12K0-S2F
PV Input	Number of MPP Trackers	3				
	Number of Strings per MPPT	1				
	Max. Input Power per MPPT (W)	8000				
	Max. Input Voltage ¹ (V)	1000				
	PV Operating Voltage Range (V)	50-1000				
	Nominal DC input voltage (V)	600				
	MPPT Start-up Voltage (V)	120				
	Max. Total Input Power (W)	10000	12000	16000	20000	24000
	Max. Input Current per MPPT (A)	16				
Max. Short Circuit Current per MPPT (A)	20					
AC Input/ Output (On-grid)	Nominal Output Power (W)	5000	6000	8000	10000	12000
	Max. Output Apparent Power (VA)	5000	6600	8800	11000	13200
	Supported Power Grid Types	TN-S, TN-C, TN-C-S, TT systems				
	Nominal Voltage (V)	L-L: 380/400Vac; L-N: 220/230Vac; 3L+N+PE				
	Nominal Frequency (Hz)	50/60				
	Nominal Output Current (A)	7.2 @ 230V 7.6 @ 220V	8.7 @ 230V 9.1 @ 220V	11.6 @ 230V 12.2 @ 220V	14.5 @ 230V 15.2 @ 220V	17.4 @ 230V 18.2 @ 220V
	Max. Output Current (A)	8.9	10.7	14.3	17.8	21.4
	Max. Input Current (A)	63				
	Power Factor	0.8 leading to 0.8 lagging				
THDi at Full Load	≤3%					
AC Output (Backup)	Nominal Output Power (W)	5000	6000	8000	10000	12000
	Nominal Voltage (V)	L-L: 380/400Vac; L-N: 220/230Vac; 3L+N+PE				
	Nominal Frequency (Hz)	50/60				
	Nominal Output Current (A)	7.2 @ 230V 7.6 @ 220V	8.7 @ 230V 9.1 @ 220V	11.6 @ 230V 12.2 @ 220V	14.5 @ 230V 15.2 @ 220V	17.4 @ 230V 18.2 @ 220V
	Off-grid THDu	≤2%				
Parallel Installation	Max. On-grid Capacity ²	Up to 5 cascaded inverters				
	Max. Off-grid Capacity	Up to 2 cascaded inverters				
Battery Input / Output	Rated Voltage (V)	800				
	Voltage Range (V)	720-960				
	Battery Capacity	Up to 12 battery modules (up to 6 battery modules per tower)				
	Communication Method	CAN				
Efficiency	Max. Efficiency	97.60%	97.80%			
	Deep Power Saving Mode ³ (W)	15				
	Self Consumption (Light-load scenario) ⁴ (W)	50				
Compliance	Safety Standards	IEC/EN 62109-1, IEC/EN 62109-2, AS 60947.3, ISO4892-4				
	Grid-tied Standards	VDE-AR-N 4105, EN 50549-1, EN50549-10, AS/NZS 4777.2, OVE-Richtlinie R, TOR Erzeuger (for Type A), PTPIREE (Type A), PPDS, CEI 0-21, G98, G99, G100, G98 NI, G99 NI, TR3.3.1, UNE 217001, UNE 217002, IEC 62116, NTS(Type A), C10/C11, SI 4777.2				
	EMC&RF	EN 300 328, EN 301 893, EN 301 489-1, EN 301 489-17 V3.3.1, EN IEC 61000-6-1, EN IEC 61000-6-2, EN IEC 61000-6-3, EN IEC 61000-6-4, EN IEC 61000-3-11, EN 61000-3-12, EN 55011, EN 62920, EN IEC 62311, EN 50665				
Protection	Grid to Off-Grid Switching Time ⁵ (ms)	0				
	Off-Grid to Grid Switching Time ⁵ (ms)	0				
	GFCI	Yes				
	AFCI	Yes				
	Emergency Power Off (EPO)	Yes				
	PV Insulation Resistance Detection	Yes				
	PV Reverse Polarity Protection	Yes				
	AC Overcurrent Protection	Yes				
	AC Short Circuit Protection	Yes				
	AC Overvoltage Protection	Yes				
	DC Surge Protection	Type II				
AC Surge Protection	Type II					

General Data	Relative Humidity	0-100%
	Operating Temperature Range (°C)	-20 to 60
	Storage Temperature (°C)	-30 to 60
	Max. Operating Altitude (m)	3000 (>2000 derating)
	Ingress Protection Rating	IP66
	Communication Method	RS485, CAN, Wi-Fi, Bluetooth, WAN
	User Interface	LED, EcoFlow app
	Wi-Fi Frequency Range (MHz)	2.4GHz: 2400-2483.5, 5GHz: 5150-5350, 5470-5725, 5725-5850
	Maximum Output Power (dBm)	<20
	Bluetooth Frequency Range (MHz)	2402-2480,
	Maximum Output Power (dBm)	<20
	Weight (kg)	Approx. 36.5
	Dimension (WxDxH mm)	680x203x406.5
	Environmental Category	Outdoor/Indoor
Mounting Method ⁶	Floor Stand/Wall Mounted	
Anti-theft	Supported	

1. The PV input voltage should not exceed the specified maximum value. Exceeding this limit may trigger system protection or compromise normal operation.
2. In grid-connected parallel operation, load-side current is limited by the maximum input current rating of the GRID port.
3. In Deep Power Saving Mode, the hybrid inverter consumes 15W, and loads draw power from the grid.
4. 50W represents the system's self-consumption measured under light-load conditions (<300W total load) in a laboratory environment, for a configuration consisting of one OCEAN 2 12kW Inverter and two EcoFlow OCEAN 2 LFP Battery 5kWh units. In this mode, loads draw power from the battery.
5. This specification refers to the disruption time on the BACKUP side. This function is available only when the system's maximum output exceeds the BACKUP side total load and grid-connection regulations are satisfied. The performance was validated under stable grid conditions, where a grid outage does not cause a sudden voltage drop.
6. For floor-stand installation, a maximum of 6 batteries is supported; for wall-mounted installation, a maximum of 3 batteries is supported.




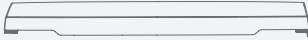
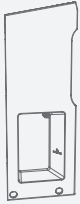






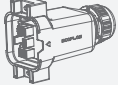
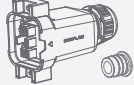









Unpacking and Preparation

I What's in the Box

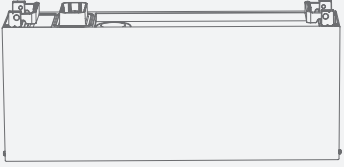



NOTICE

- Before unpacking, check the outer packing for damage, such as holes and cracks, and check the equipment model. If any damage is found, do not unpack the package and contact the supplier as soon as possible.
- After unpacking, check that the deliverables are intact and complete. If any item is missing or damaged, contact the supplier.
- It is recommended to keep the original package for further needs.


• ECOFLOW OCEAN 2 HYBRID INVERTER THREE-PHASE

<p>A1 ×1</p>  <p>EcoFlow OCEAN 2 Hybrid Inverter Three-Phase</p>		<p>A2 ×1</p>  <p>Top trim cover</p>		<p>A3 ×1</p>  <p>Side trim cover</p>	
<p>A4 ×1</p>  <p>EcoFlow Ocean 2 Dongle <small>(Model: EF HD-P3-WIFI-S2)</small></p>	<p>A5 ×3</p>  <p>PV terminal (+)</p>	<p>A5 ×3</p>  <p>PV terminal (-)</p>	<p>A6 ×2</p>  <p>Disassembly and assembly tool</p>	<p>A7 ×1</p>  <p>Communication terminals (20-pin)</p>	<p>A8 ×1</p>  <p>Communication terminals (16-pin)</p>
<p>A9 ×1</p>  <p>Grid connector</p>	<p>A10 ×1</p>  <p>Backup connector</p>	<p>A11 ×1</p>  <p>Marking-off template</p>	<p>A12 ×1</p>  <p>Expansion bolt <small>(M6*60)</small></p>	<p>A13 ×3</p>  <p>Grounding screw <small>(M5*12)</small></p>	<p>A14 ×2</p>  <p>OT terminal</p>
<p>A15 ×15</p>  <p>Wire Ferrule <small>(for wire gauge 16 mm²)</small></p>	<p>A16 ×18</p>  <p>Wire Ferrule <small>(for wire gauge 0.5mm²)</small></p>	<p>A17 ×3</p>  <p>Communication terminal</p>	<p>A18 ×1</p>  <p>Mounting bracket</p>	<p>A19 ×1</p>  <p>Terminating resistor</p>	

• ECOFLOW OCEAN 2 LFP BATTERY 5kWh

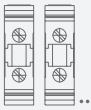
<p>B1 ×1</p>  <p>EcoFlow OCEAN 2 LFP Battery 5kWh</p>	<p>B2 ×2</p>  <p>Battery T-shaped/L-shaped mounting piece</p>	<p>B3 ×2</p>  <p>Expansion bolt <small>(M6*60)</small></p>	<p>B4 ×4</p>  <p>Screw <small>(M5*12)</small></p>
---	---	--	---

• ECOFLOW OCEAN 2 LFP BATTERY BASE






<p>C1 ×1</p>  <p>Battery base</p>
--

I Prepare Tools and Instruments





• Required tools

 Hammer drill (with a drill bit of 8mm)	 Electrical screwdriver	 Torque socket of 10mm	 Multimeter (DC voltage measurement range ≥ 1000 V DC)	 Mallet	 Screwdriver (PH3)
 Cable cutter	 Open barrel crimping tool (for PV terminals)	 Wire strippers	 RJ45 crimping tool	 Square crimping tool (for tubular terminals 0.5, 10 or 16 mm ²)	 Heat-shrink tubing
 Marker	 Steel measuring tape	 Cable tie	 Feed-through terminal blocks 6-8 pcs	 Heat gun	

• Optional tools

 Level	 Vacuum cleaner	 Safety goggles	 Safety shoes	 Safety gloves	 Dust mask
--	---	---	---	---	--

• Cables

 16 mm ² grounding cable (copper conductor)	 4-6 mm ² PV input cable (black, red)	 16 mm ² UL10269 power cable (black, brown, blue, grey)	 Cat 5e or higher shielded network cable	 2*0.5 mm ² twist pair cable
--	---	---	--	--

System Installation

I Installation Environment Requirements

WARNING

- The installation and operation environment must meet relevant international, national, and local standards for lithium batteries and the inverter.

NOTICE

- When installing the equipment in a garage, keep it away from the drive way.
- The mounting structure where the equipment is installed must be fire resistant. Do not install the equipment on flammable building materials. Suitably non-combustible materials are: brick or masonry block, concrete.
- The material shall have no vents or perforations within the zone required to be covered by the barrier.
- Ensure that the installation surface is solid enough to bear the weight of the equipment.
- Suitable locations for installation may include garages, storage rooms, a dedicated battery system room and verandas.
- The system shall not be installed:
 - in restricted locations, as defined for switchboards in AS/NZS 3000;
 - within 600 mm of any exit;
 - within 600 mm of any vertical side of a window or building ventilation that ventilates a habitable room;
 - within 600 mm of any hot water unit, air conditioning unit or any other appliance not associated with the pre-assembled integrated BESS;
 - within 900 mm below any of the items included in Items (b), (c) and (d);
 - in ceiling spaces;
 - in wall cavities;
 - on roofs, except where specifically deemed suitable;
 - under stairways;
 - under access walkways;
 - in an evacuation route or escape route.

	<p>AVOID DIRECT SUNLIGHT, RAIN OR SNOW</p>	<p>WELL-VENTILATED AREA only</p>			
	<p>AVOID THE WATER PIPES AND POWER CABLES</p>	<p>IP66</p> <p>0% - 100% RH</p> <p>-20°C - 55°C</p>	<p>ALTITUDE</p> <p>≤ 3000m</p>	<p>DISTANCE FROM THE SEA</p> <p>> 500m</p>	<p>AWAY FROM</p>
<p>NOT INTENDED FOR MOBILE SCENARIO</p>	<p>NOT INTENDED FOR IMPORTANT DEVICES</p>	<p>AWAY FROM CHILD & WORKING & LIVING AREAS</p>			

I Installation Clearance Requirements

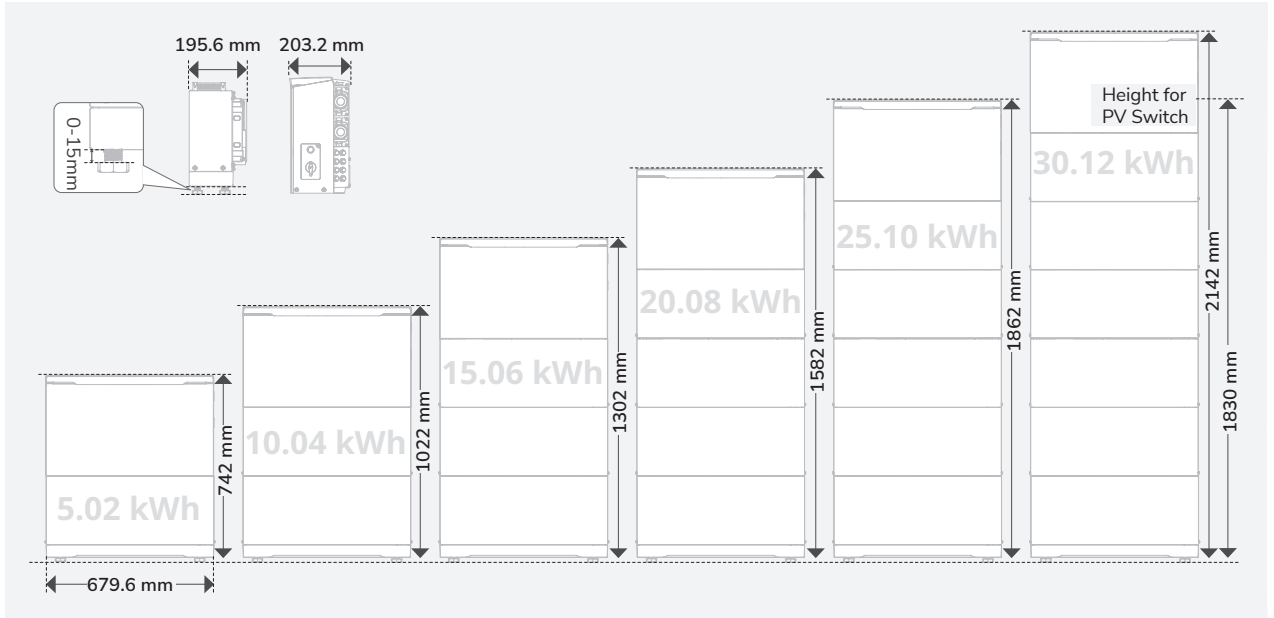
WARNING

- Reserve enough clearance around equipments to ensure sufficient space for installation and heat dissipation.
- To prevent fire due to high temperature, ensure that the ventilation vents or heat dissipation system are not blocked.

NOTICE

- Ensure there is enough space on both sides of the battery to facilitate the locking operation of the screws on the side of the battery.
- Battery system installed in any corridor, hallway, or lobby shall ensure sufficient clearance from the battery system for safe egress and be no less than 1 m.

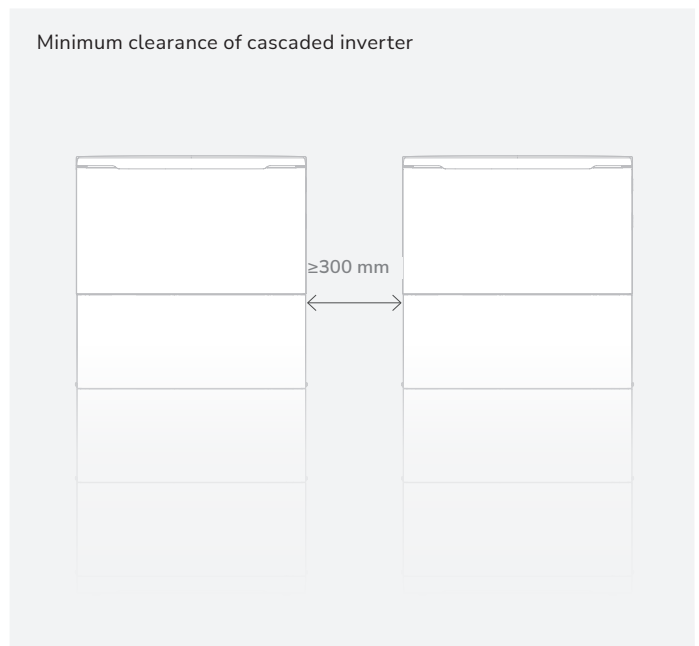
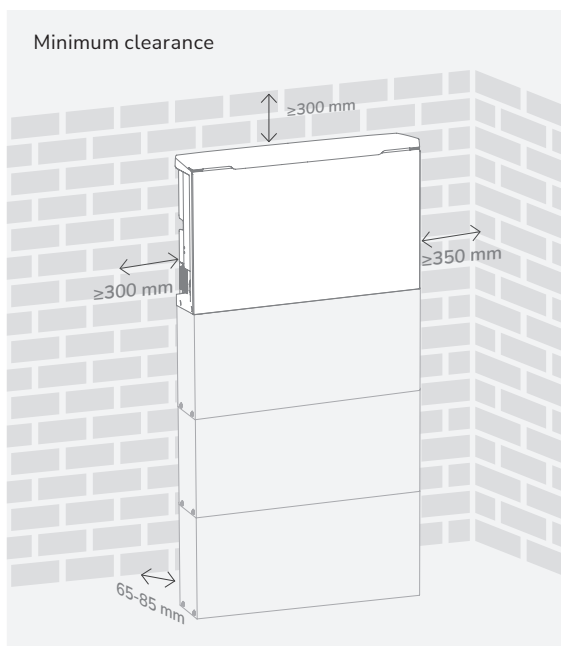
• DIMENSIONS



• CLEARANCE

WARNING

- Minimum clearance should be maintained for good ventilation.
- Do not block the air exhaust on the left side of the inverter during operation.



I Installing Battery

DANGER

- When drilling holes, avoid the water pipes and power cables buried in the wall and under the floor.
- When drilling holes, protect the battery base from shavings or dust.
- Before installing the battery, make sure that the click-on terminals on the top and bottom of the battery are free of foreign objects or any liquid.

CAUTION

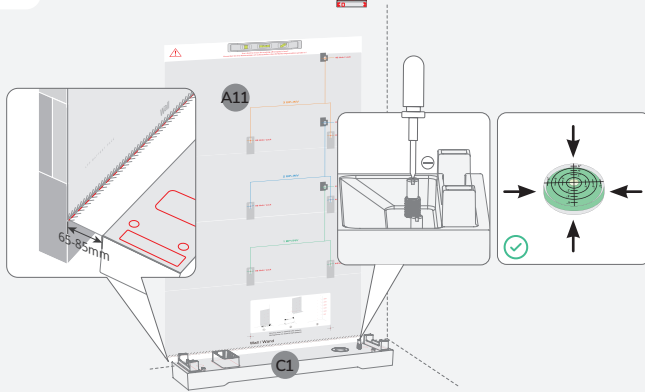
- Ensure the batteries are mounted on the wall to avoid falling over, tipping, or seismicity.
- Assign enough personnel (two or more) to move battery to avoid personal injury and battery damage.
- When moving battery, hold handles on top of the battery module.

NOTICE

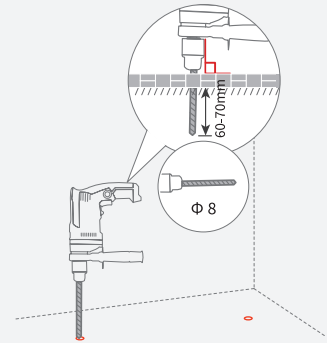
- The two M6×60 expansion bolts supplied with each battery may be used either to secure the battery itself or to fasten the battery base—options include fastening the battery with 1 bolt and fastening the base with 2 bolts, or fastening the battery with 2 bolts and leaving the base unfastened. Decide on-site according to actual installation conditions.
- For mixed-stack installations combining newer model batteries (EF BD-5-S2) and previous model batteries (EF BD-5.1-S1), it is recommended to prioritize using the previous model base (EF BD-B-S1). It is best practice to stack the previous model batteries on the base first, then stack the newer model batteries on top.


METHOD 1: FLOOR MOUNTED

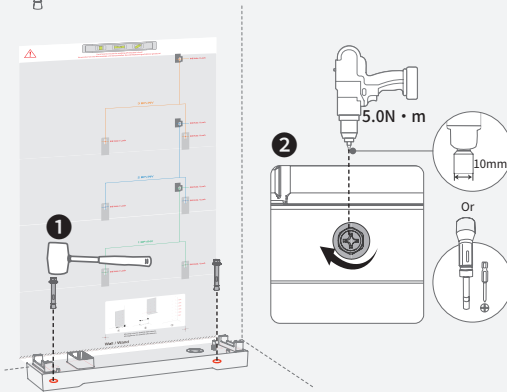
1  ×1  ×1



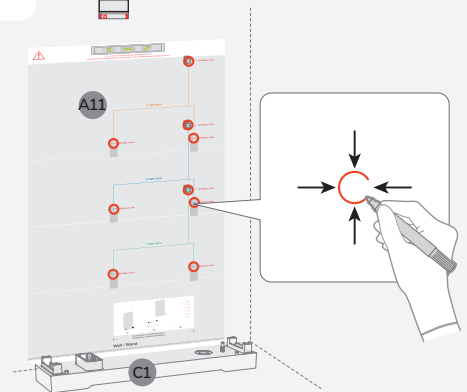
2



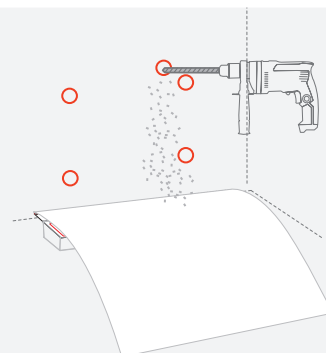
3  ×2



4  ×1



When drilling holes, protect the battery base from shavings or dust. You are advised to cover the base with the marking-off template for protection.



5

Inverter

15kWh

10kWh

5kWh

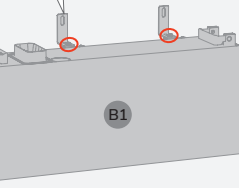
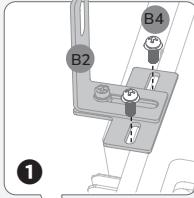
Φ 8

60-70mm

6

B1 x1 B2 x2 B4 x4

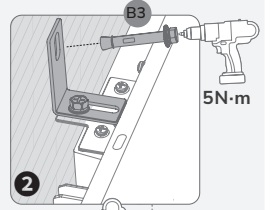
*Do not fully tighten to allow for following adjustment.



2

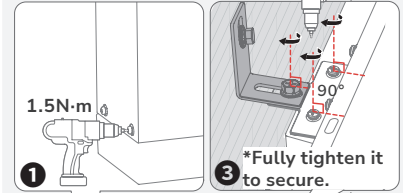
7

B3 x2



2

2.5N·m



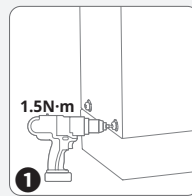
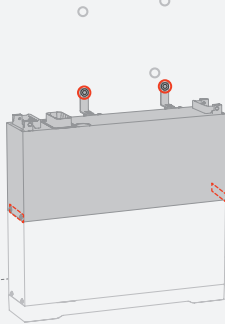
1

*Fully tighten it to secure.

90°

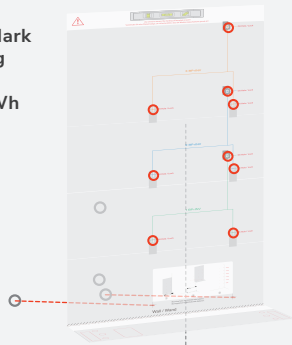
8

B4 x4



1

(Optional) Mark off mounting holes for 20/25/30 kWh batteries.

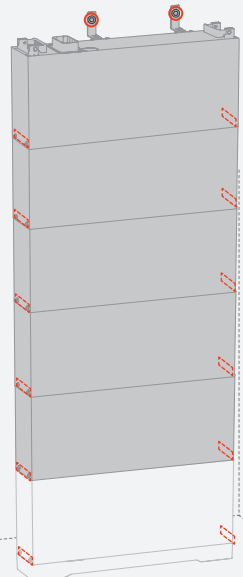


30kWh

25kWh

20kWh

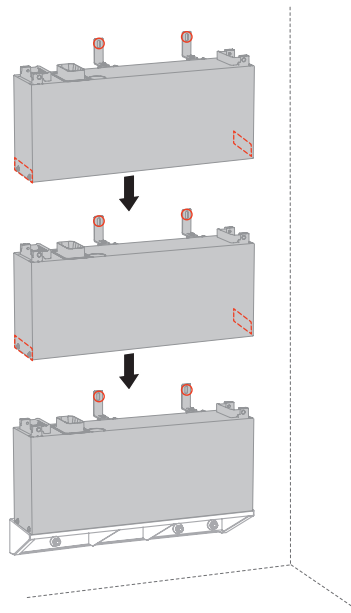
Up to 6 batteries can be stacked.



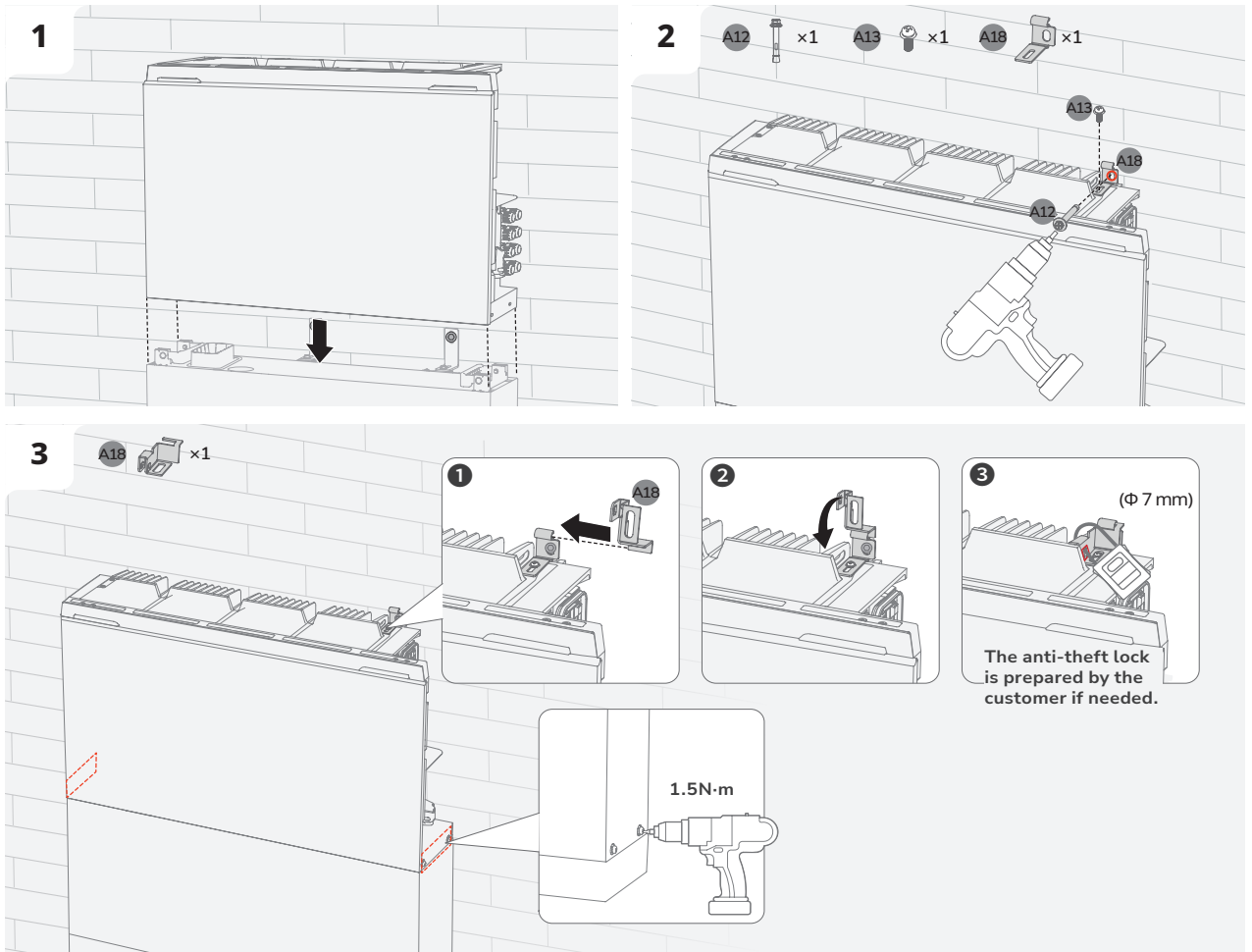
METHOD 2: WALL MOUNTED (OPTIONAL)

NOTICE

- For details about wall mounted installation, see the installation guide that comes together with the EcoFlow Wall-Mounted Battery Base. Then, install the remaining batteries and the inverter as shown in the method 1.
- The wall-mounted battery base (sold separately) supports stacking of up to three batteries.



I Install Inverter

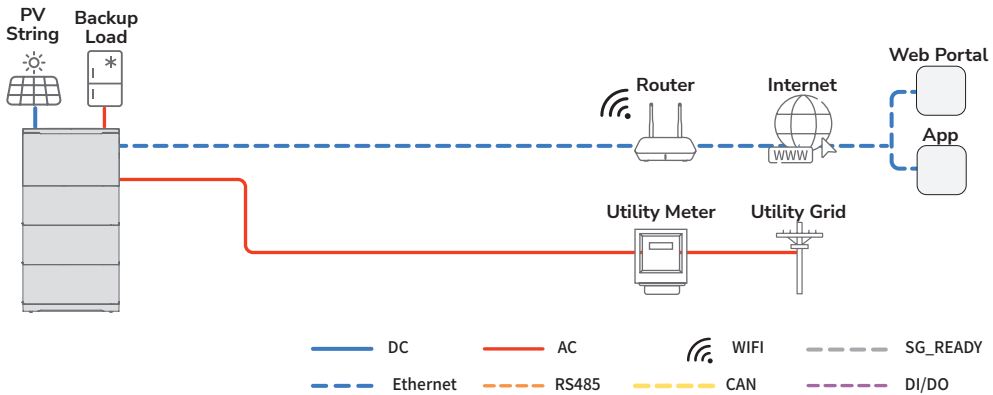


Application Scenarios

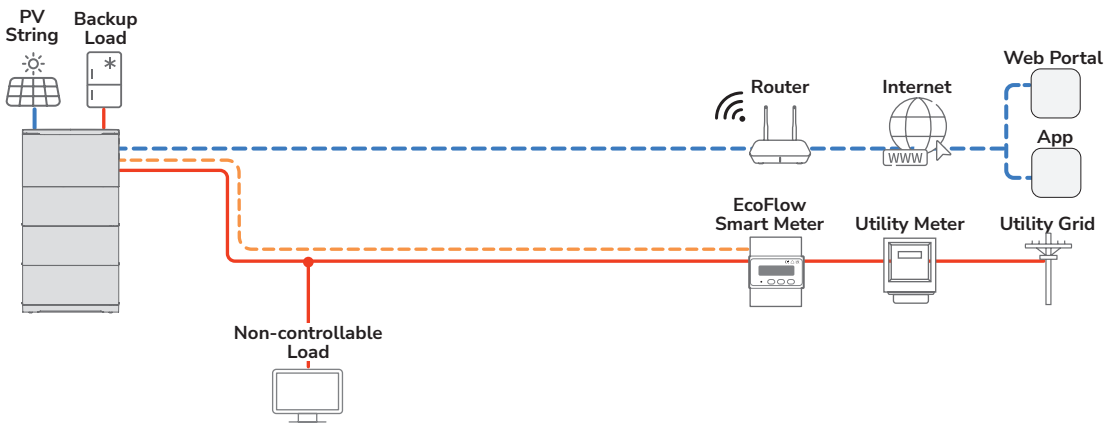
The wiring scheme described in this manual is based on the latest version of the APP software and firmware released in May 2026, which is subject to change with software updates. If you have any questions, please contact your local EcoFlow after-sales service.

I Single Inverter Setup

• WHOLE HOME BACKUP SYSTEM



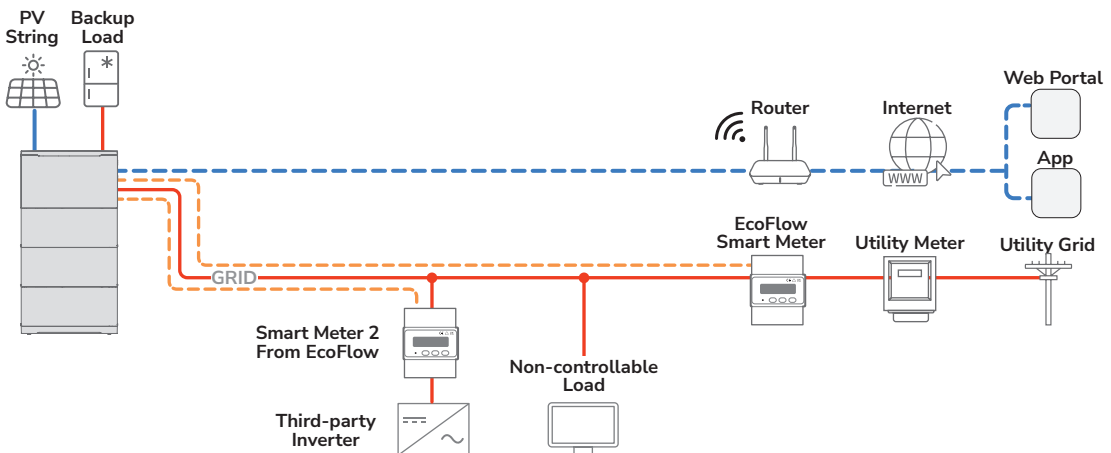
• PARTIAL HOME BACKUP SYSTEM



• USE WITH EXISTING PV SYSTEM

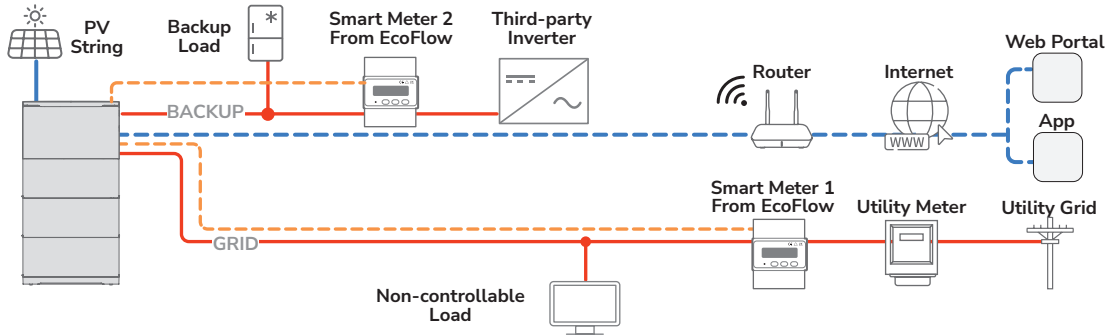
EcoFlow Ocean 2 system is compatible with single/three-phase PV grid-tied system. For a three-phase inverter connection, its rated power shall not exceed the rated power of the BACKUP/GRID port. For a single-phase inverter connection, its rated power shall not exceed one-third of the BACKUP/GRID port's rated power. The power generation from the existing PV inverter will be firstly provided to the loads and then charge the battery.

- Connect via GRID port



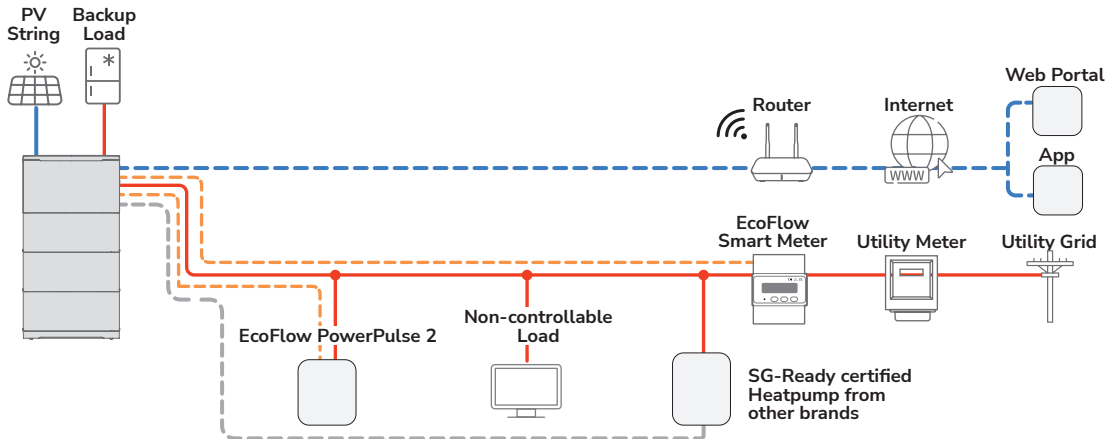
- Connect via BACKUP port (for Partial Home Backup)

- A third-party inverter connected must also support local safety regulations for over-frequency protection and over-frequency load reduction functions.
- In this setup, off-grid parallel operation is not supported.
- In this setup, via frequency regulation capability, the EcoFlow Ocean 2 system achieves derating control for third-party inverters in grid failure scenarios.



• USE WITH SG-READY CERTIFIED HEATPUMP OR EV CHARGER

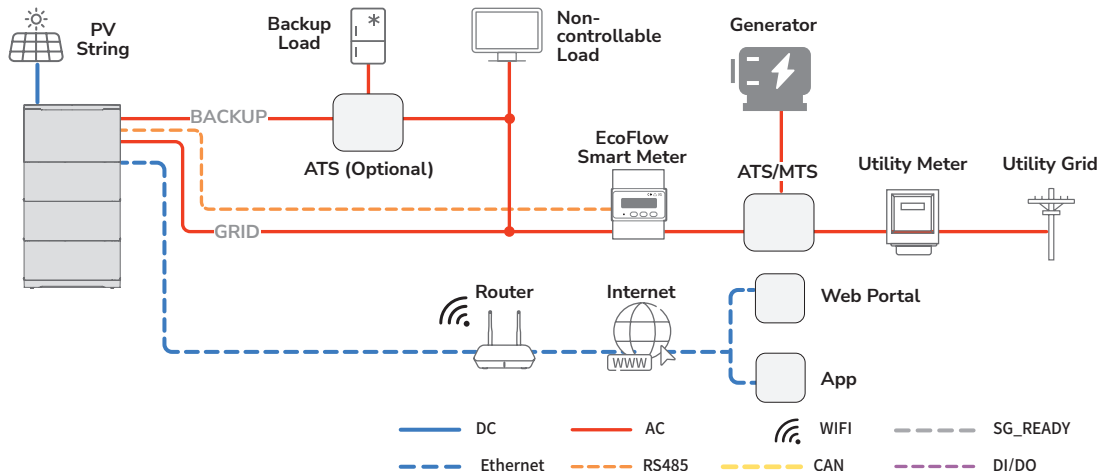
EcoFlow Ocean 2 system is compatible with EcoFlow EV Charger (PowerPulse 2), Heatpump (PowerHeat), any other SG-Ready certified Heatpump. When connected with the Ocean 2 system, a SG-Ready certified Heatpump or EV Charger will be powered by PV strings, battery and utility grid. With the self-powered mode of the EcoFlow Ocean 2 system, the self-consumption rate of the new system will be greatly improved, reducing electricity costs.



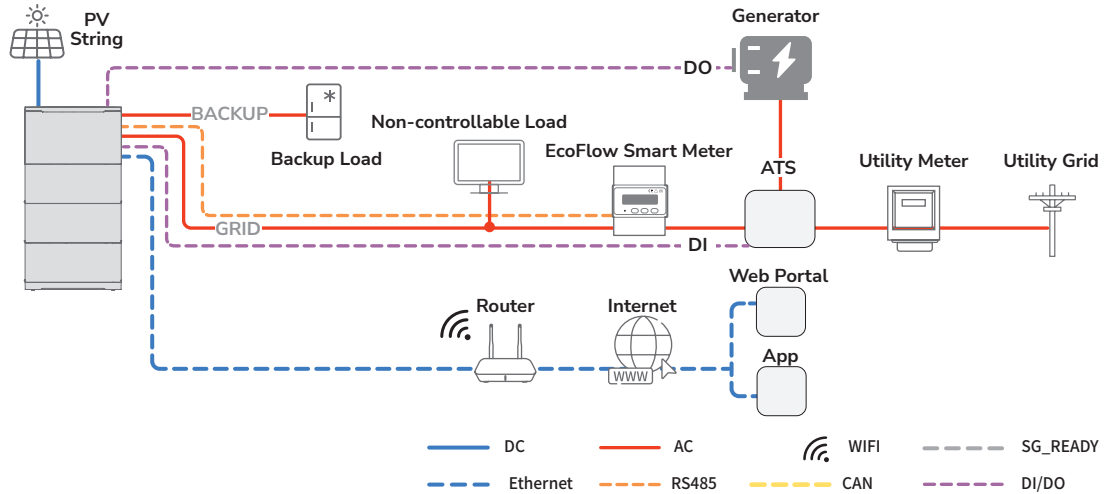
• USE WITH GENERATOR

EcoFlow Ocean 2 system is compatible with generator, users therefore can use this Ocean 2 system and generator to build an instant backup system and enhance home's energy efficiency.

- Without dry contact connection



- With dry contact connection

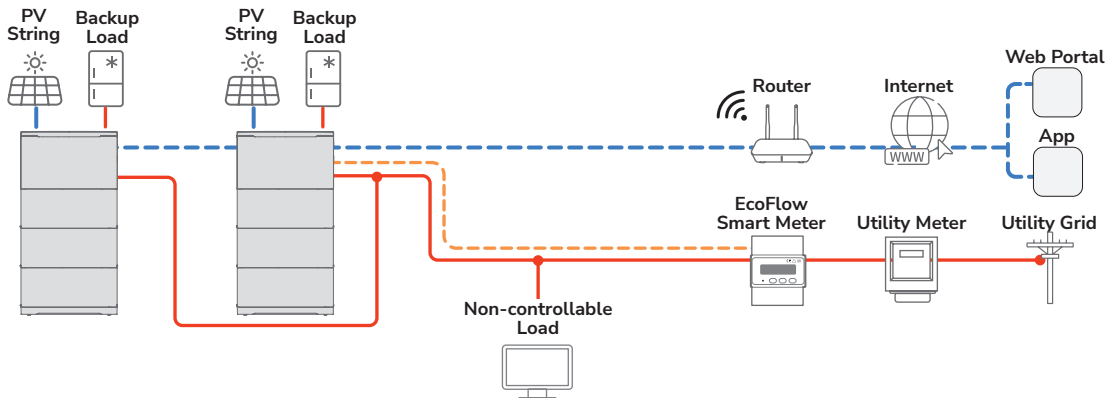


I Multi Inverters Setup

• 2 INVERTERS CASCADING (SEPARATE LOADS)

NOTICE

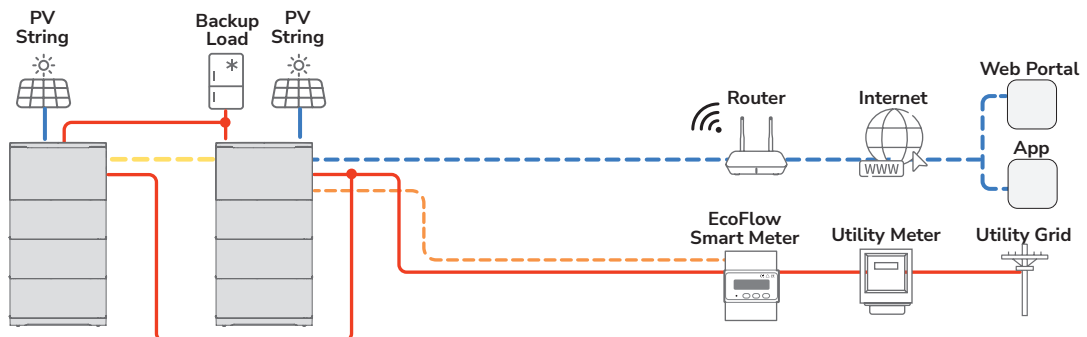
- Only cascading of inverters of the same model is supported.
- Cascading different Ocean 2 products is not supported.
- The BACKUP port remains inactive during off-grid operation of cascaded inverters without battery modules.
- Due to limitations in control real-time performance and sampling accuracy, a smart meter is required; otherwise, the system's anti-backflow capability may be compromised.



• 2 INVERTERS CASCADING (SHARING LOADS)

NOTICE

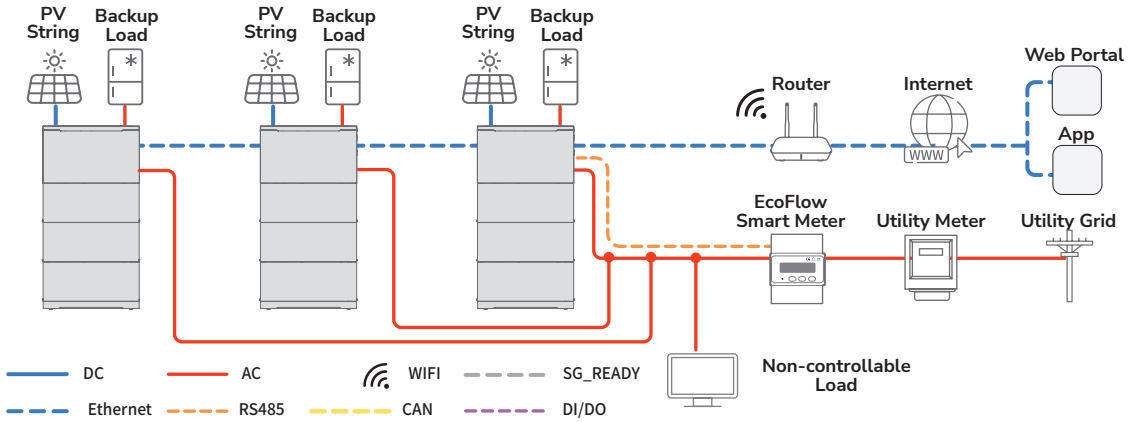
- Only cascading of inverters of the same model is supported.
- Cascading different Ocean 2 products is not supported.
- Both BACKUP ports are required to be connected together even if they are not connected with loads, otherwise, it will cause the system to fail.
- Due to limitations in control real-time performance and sampling accuracy, a smart meter is required; otherwise, the system's anti-backflow capability may be compromised.



• 3 INVERTERS CASCADING (SEPARATE LOADS)

NOTICE

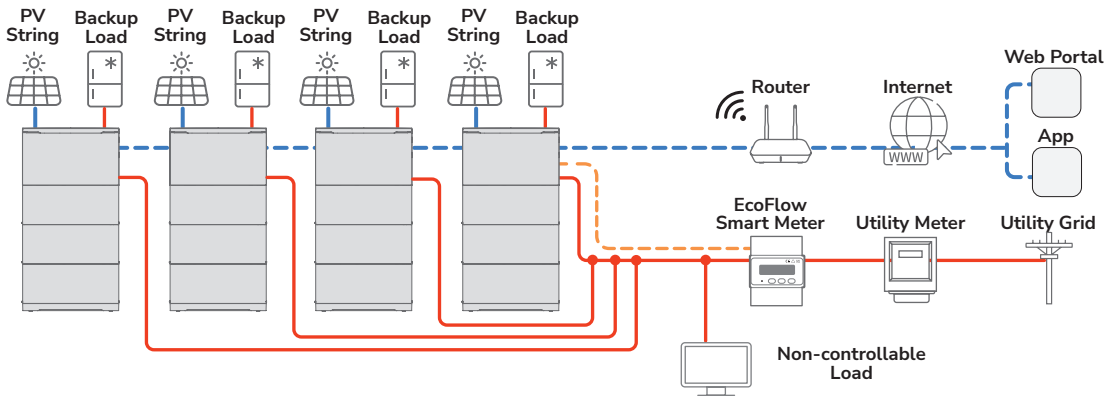
- Due to limitations in control real-time performance and sampling accuracy, a smart meter is required; otherwise, the system's anti-backflow capability may be compromised.



• 4 INVERTERS CASCADING (SEPARATE LOADS)

NOTICE

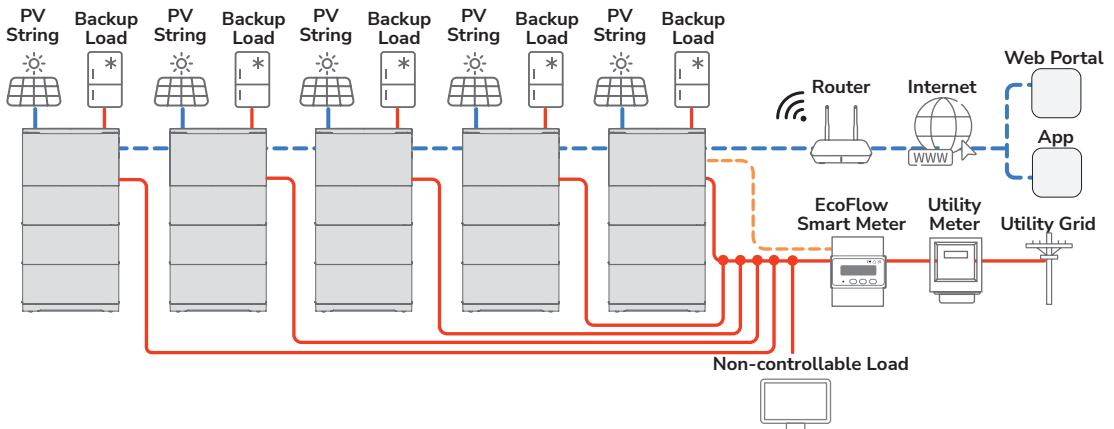
- Due to limitations in control real-time performance and sampling accuracy, a smart meter is required; otherwise, the system's anti-backflow capability may be compromised.



• 5 INVERTERS CASCADING (SEPARATE LOADS)

NOTICE

- Up to 5 inverters can be cascaded.
- Due to limitations in control real-time performance and sampling accuracy, a smart meter is required; otherwise, the system's anti-backflow capability may be compromised.



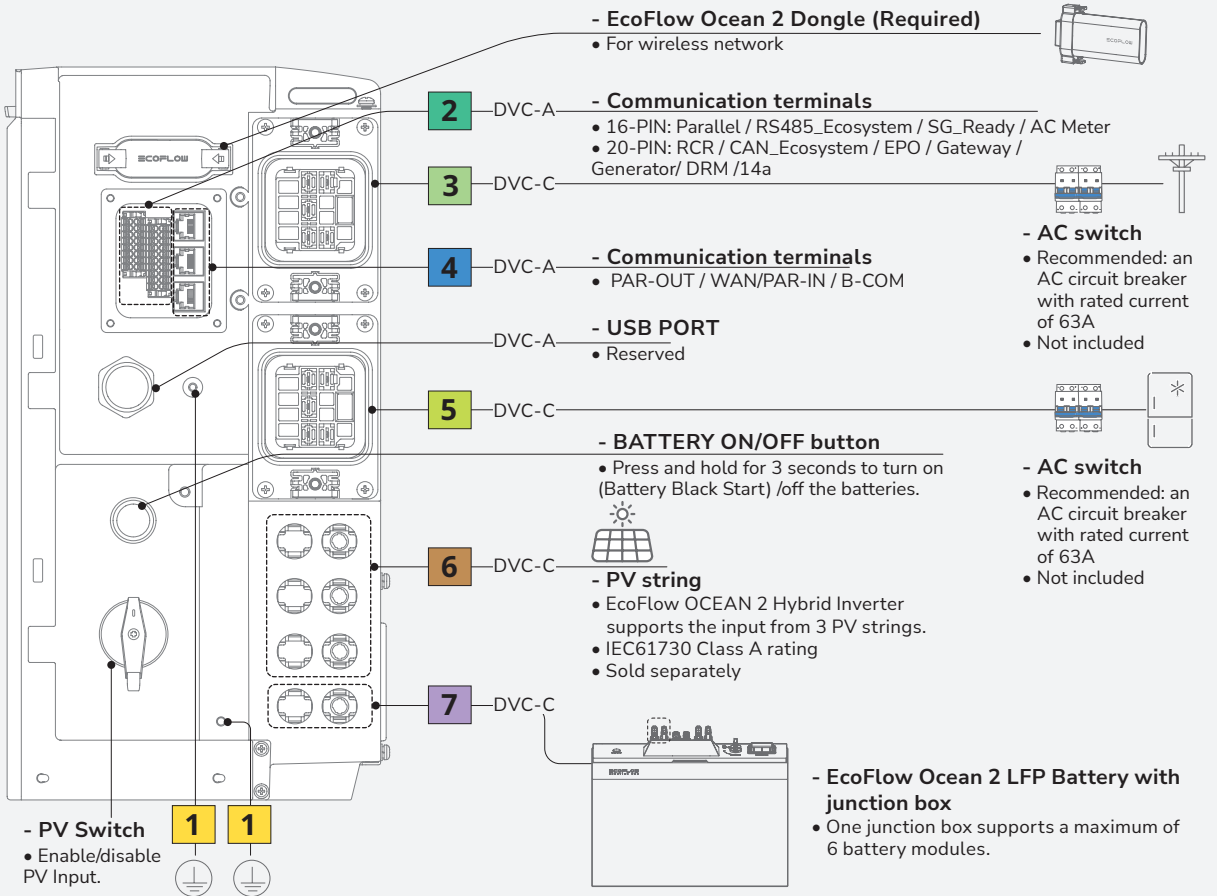
Electrical Connection

CAUTION

- All electrical connections must be carried out by a professionally trained and certified electrician.

NOTICE

- Prepare cables that meet local certification standards.
- Do not remove the protective cap of unused terminals. Otherwise, the IP rating of the inverter will be affected.
- The cable colors shown in the figures are for reference only. Select an appropriate cable according to the local standards.
- Based on the installation environment and mechanical performance requirements, rigid cables or flexible cables can be used.



LEGEND

1 Ground cable
10 mm²

2 Communication terminals
Shielded Twisted Pair 2*0.5mm²

3 Grid power cable
16 mm² cable rated for 63 A. Select the appropriate conductor size based on the grid service current, local electrical code, and inverter specifications.

4 Communication terminals
Cat 5e or higher shielded network cable

5 Backup load power cable
16 mm² cable rated for 63 A. Select the appropriate conductor size based on the grid service current, local electrical code, and inverter specifications.

6 PV input cable
4-6 mm² with a rated voltage greater than or equal to 1000V DC

7 Battery power cable
6-10 mm² with a rated voltage greater than or equal to 1000V DC

I Wiring Diagram

NOTICE

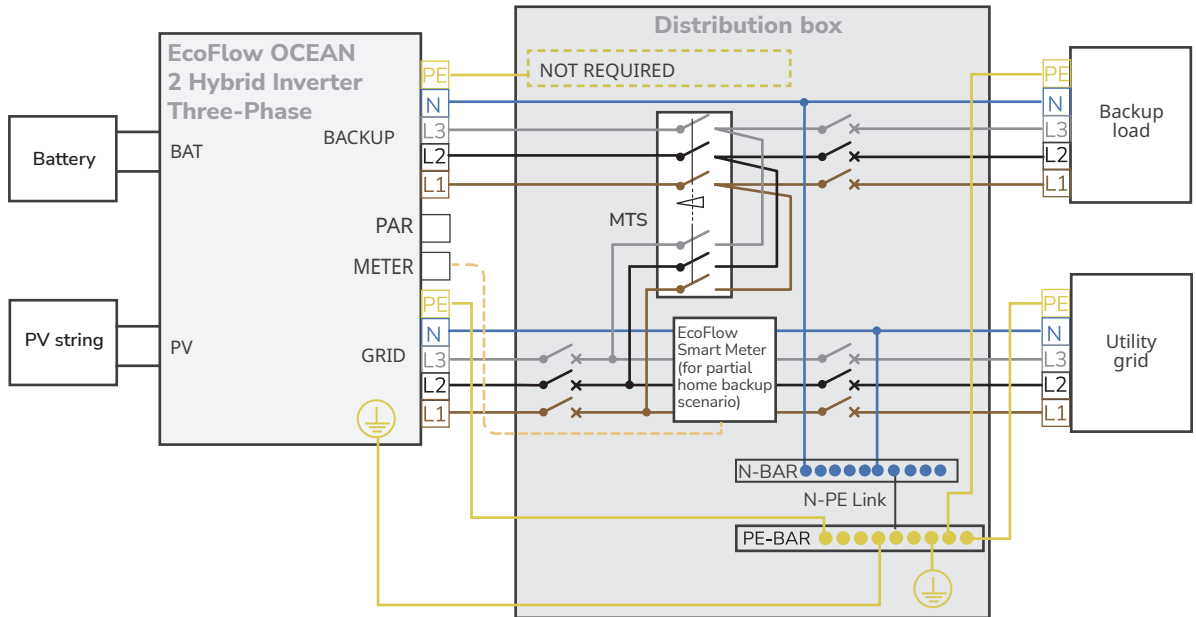
- N and PE wiring via GRID and BACKUP terminals of the inverter vary based on the regulation requirements of different regions. Refer to the specific requirements of local regulations.
- A 63A Manual Transfer Switch (MTS) is recommended for switching the power supply between the grid and the inverter in the whole home backup system.
- Installing surge protective devices (SPD) before connecting the PV strings and before connecting to the power grid are recommended.
- RCD installation shall comply with local electrical codes.

• SINGLE INVERTER

Method 1 N-PE Bonded at Main Panel (For Australia and New Zealand)

NOTICE

- For Australia and New Zealand, the N conductors on the GRID side and the BACKUP side must be bonded according to AS/NZS 3000 wiring rules. Otherwise, abnormal BACKUP operation and potential safety risks may occur. Therefore, the following diagram applies to installations in Australia, New Zealand, and other regions with similar wiring requirements.



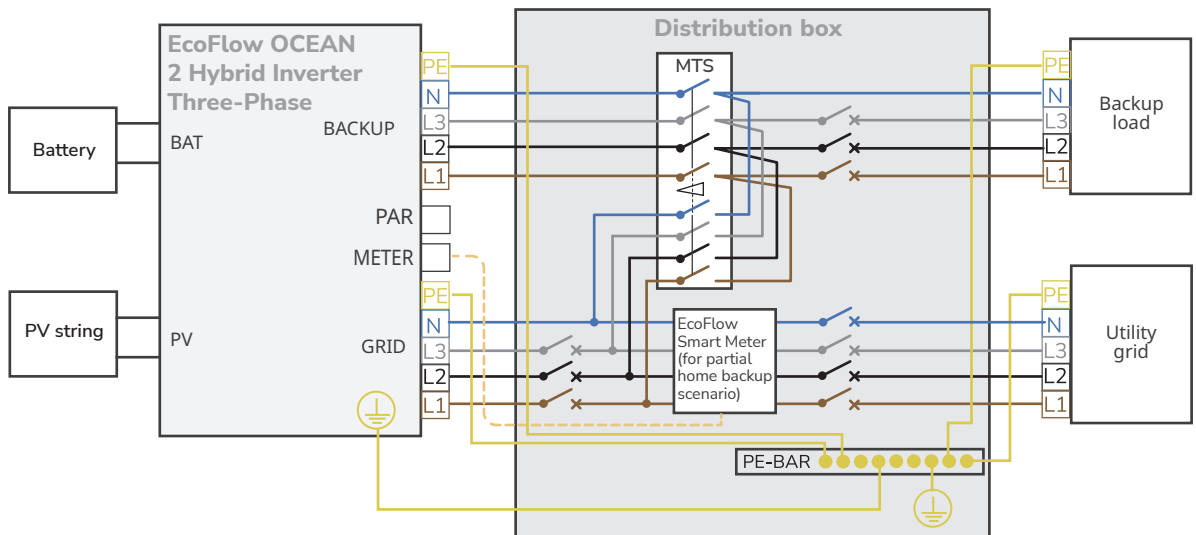
Method 2 N-PE Separate at Main Panel

CAUTION

- Do not connect the N busbar to the N-wire between the inverter and grid, otherwise the inverter operation may be abnormal.

NOTICE

- Do not connect the N-wires of the AC-backup side and AC-grid side, otherwise the system may operate abnormally. If connected in some houses, try disconnecting the N busbar from the grid and connecting the AC-GRID N terminal of inverter directly to the N terminal of the grid.

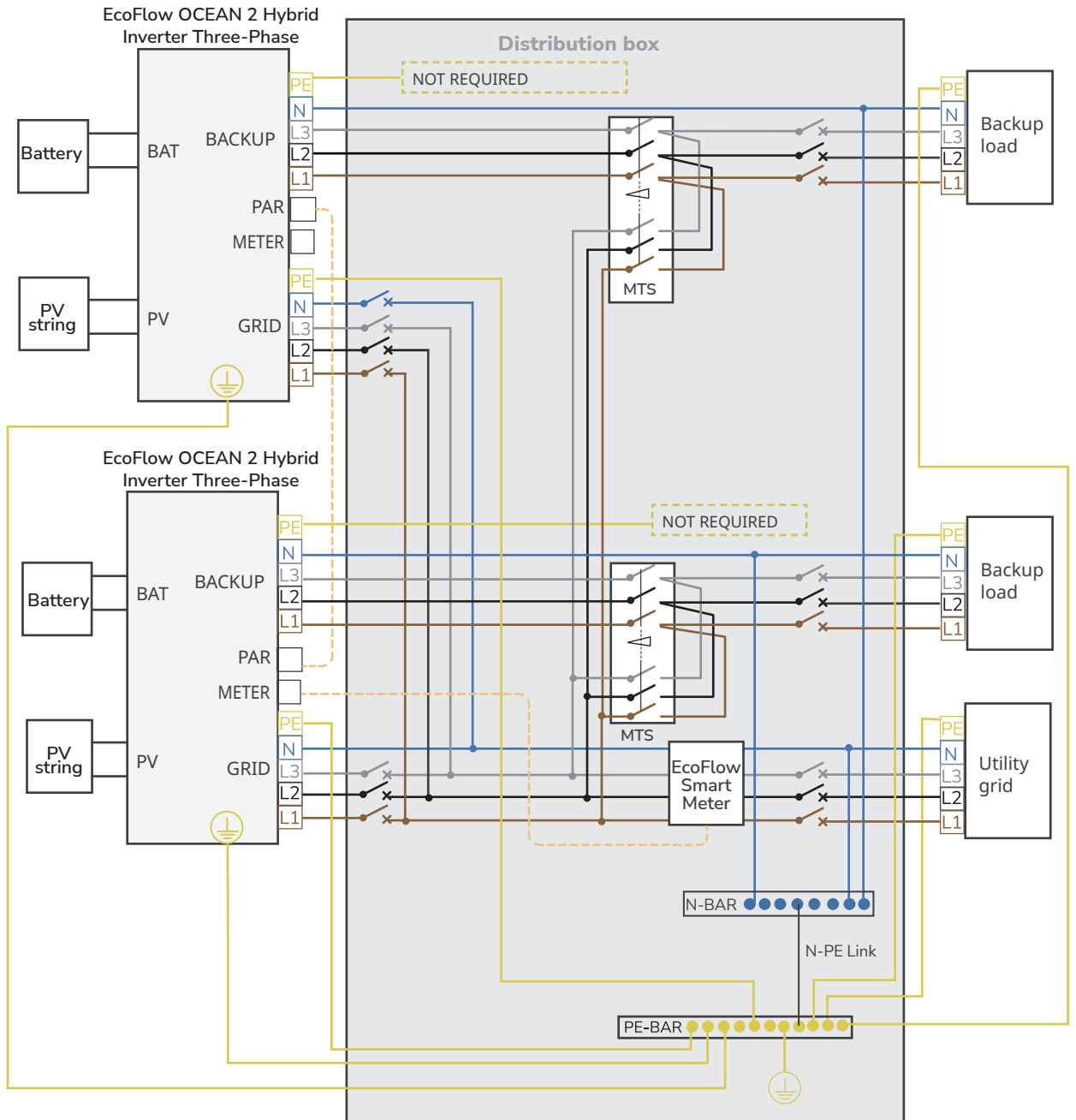


• 2 INVERTERS CASCADING (SEPARATE LOADS)

Method 1 N-PE Bonded at Main Panel (For Australia and New Zealand)

NOTICE

- For Australia and New Zealand, the N conductors on the GRID side and the BACKUP side must be bonded according to AS/NZS 3000 wiring rules. Otherwise, abnormal BACKUP operation and potential safety risks may occur. Therefore, the following diagram applies to installations in Australia, New Zealand, and other regions with similar wiring requirements.



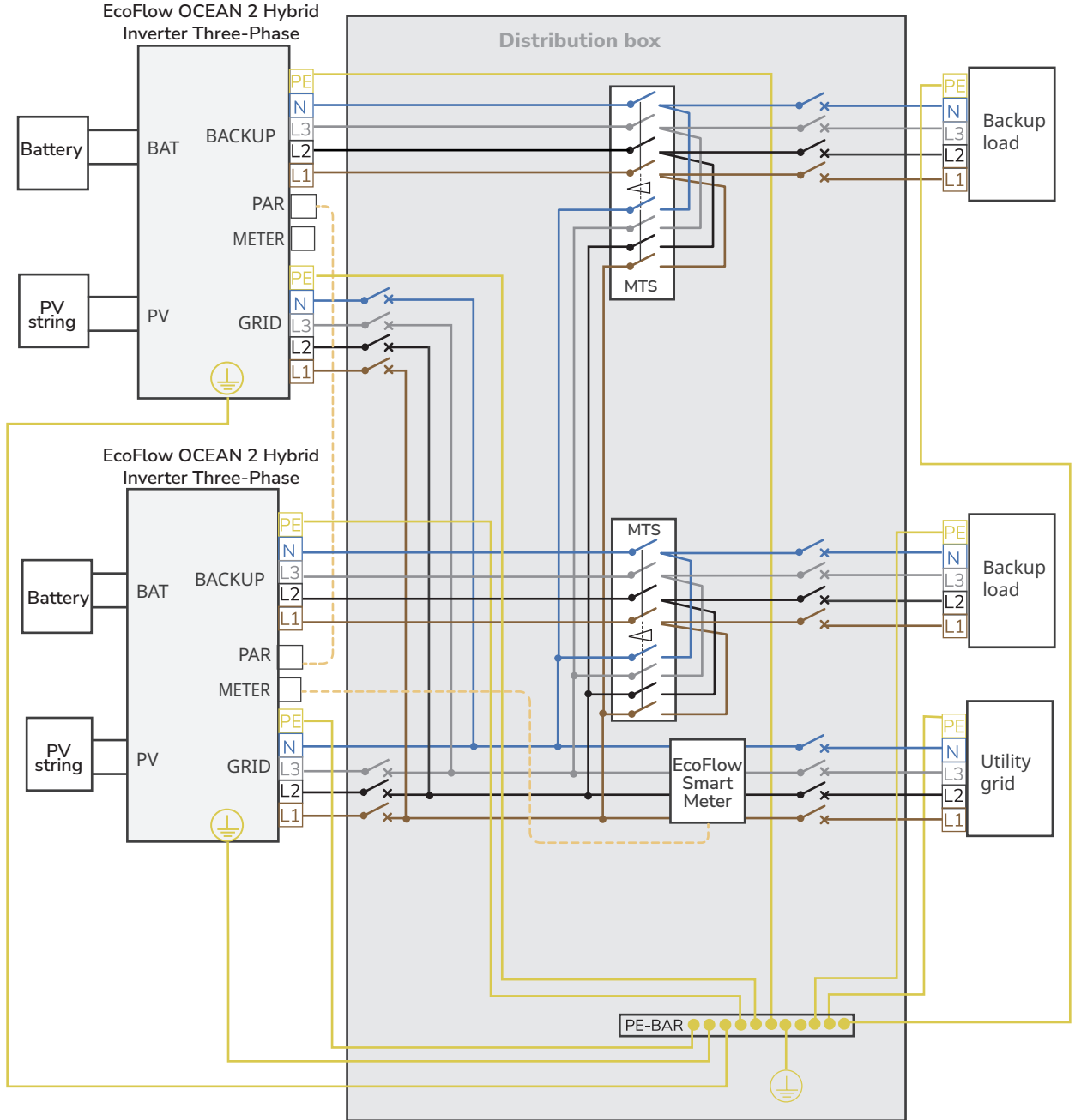
Method 2 N-PE Separate at Main Panel

CAUTION

- Do not connect the N busbar to the N-wire between the inverter and grid, otherwise the inverter operation may be abnormal.

NOTICE

- Do not connect the N-wires of the AC-backup side and AC-grid side, otherwise the system may operate abnormally. If connected in some houses, try disconnecting the N busbar from the grid and connecting the AC-GPID N terminal of inverter directly to the N terminal of the grid.

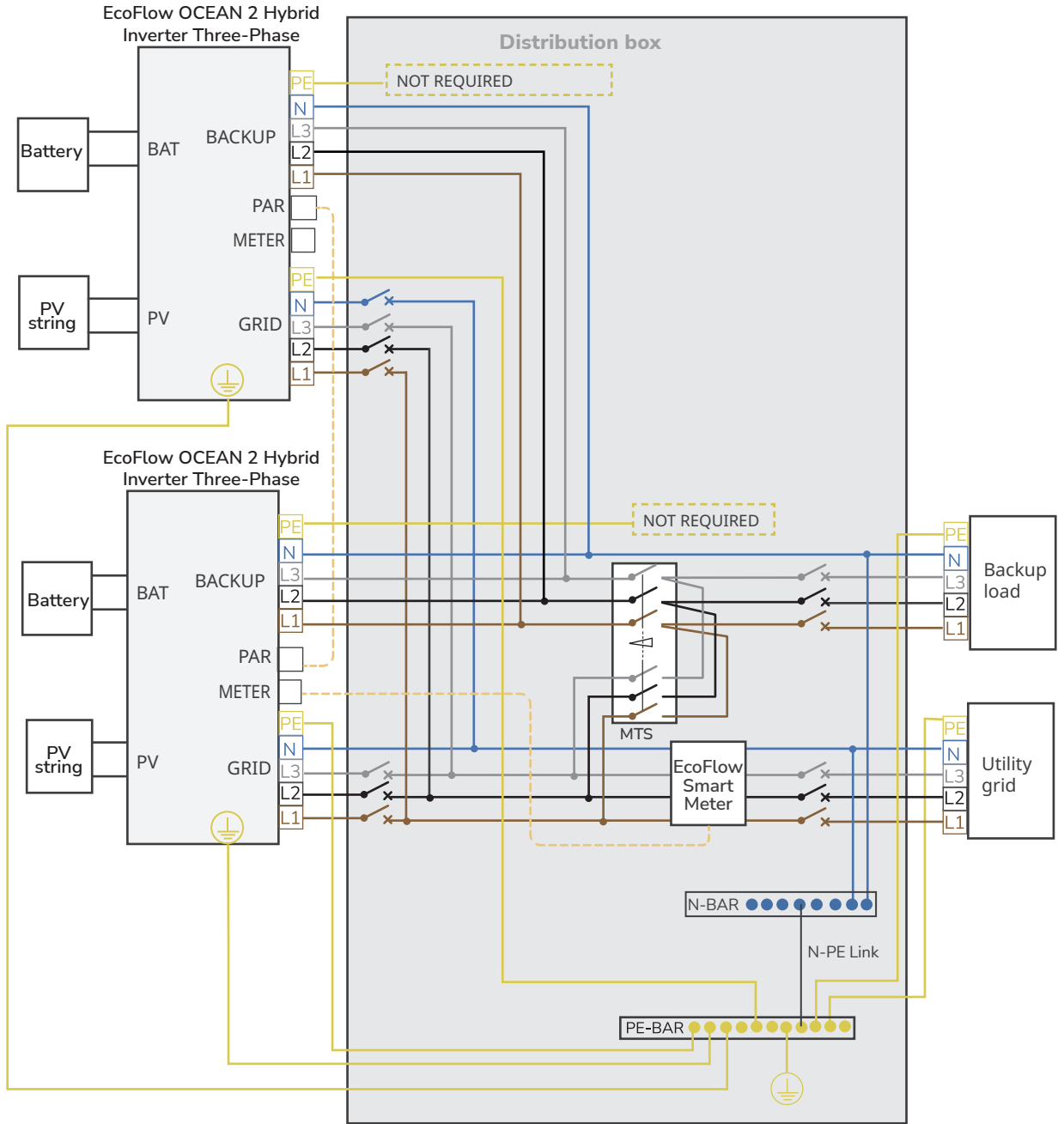


• 2 INVERTERS CASCADING (SHARING LOADS)

Method 1 N-PE Bonded at Main Panel (For Australia and New Zealand)

NOTICE

- For Australia and New Zealand, the N conductors on the GRID side and the BACKUP side must be bonded according to AS/NZS 3000 wiring rules. Otherwise, abnormal BACKUP operation and potential safety risks may occur. Therefore, the following diagram applies to installations in Australia, New Zealand, and other regions with similar wiring requirements.



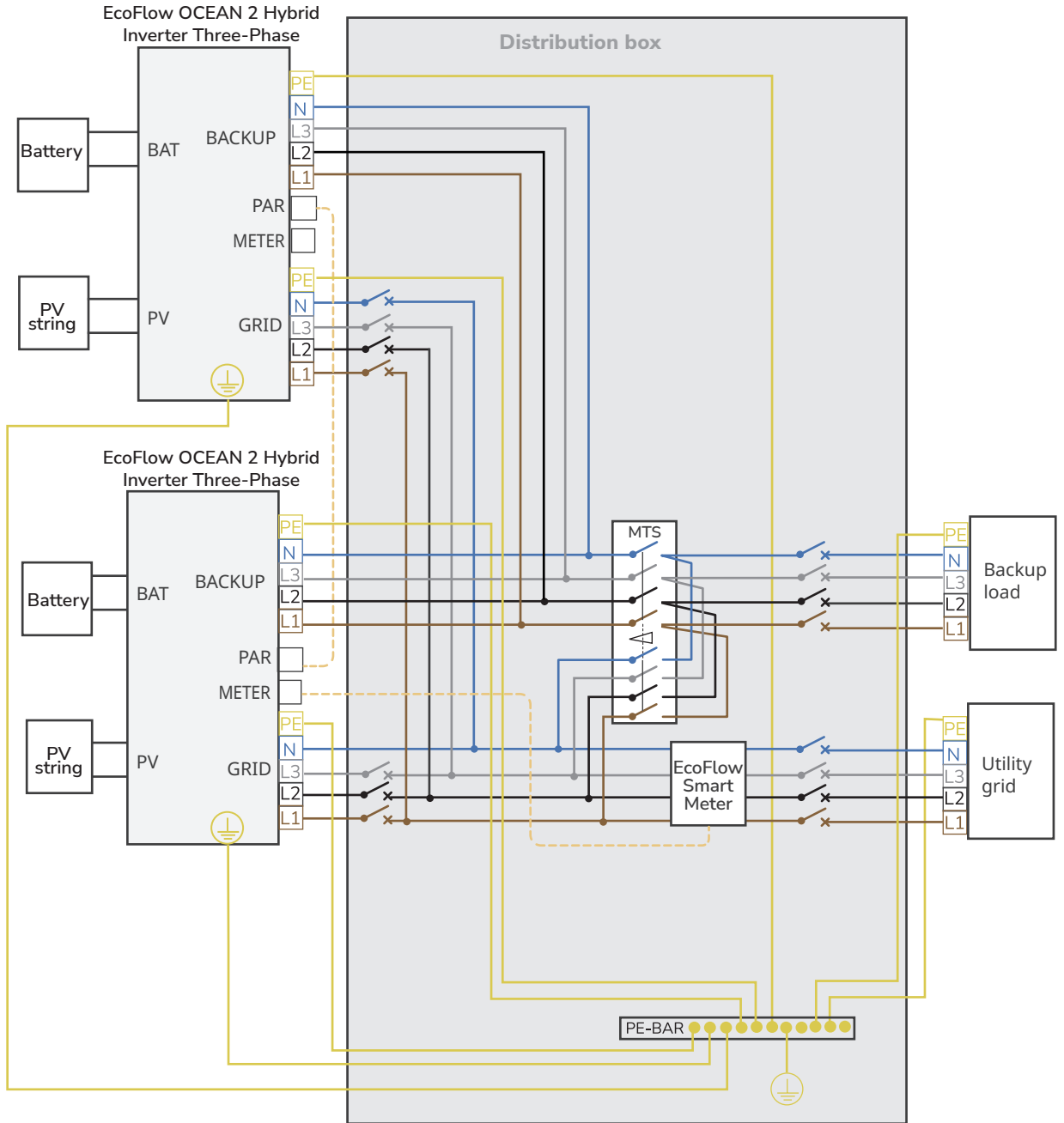
Method 2 N-PE Separate at Main Panel

CAUTION

- Do not connect the N busbar to the N-wire between the inverter and grid, otherwise the inverter operation may be abnormal.

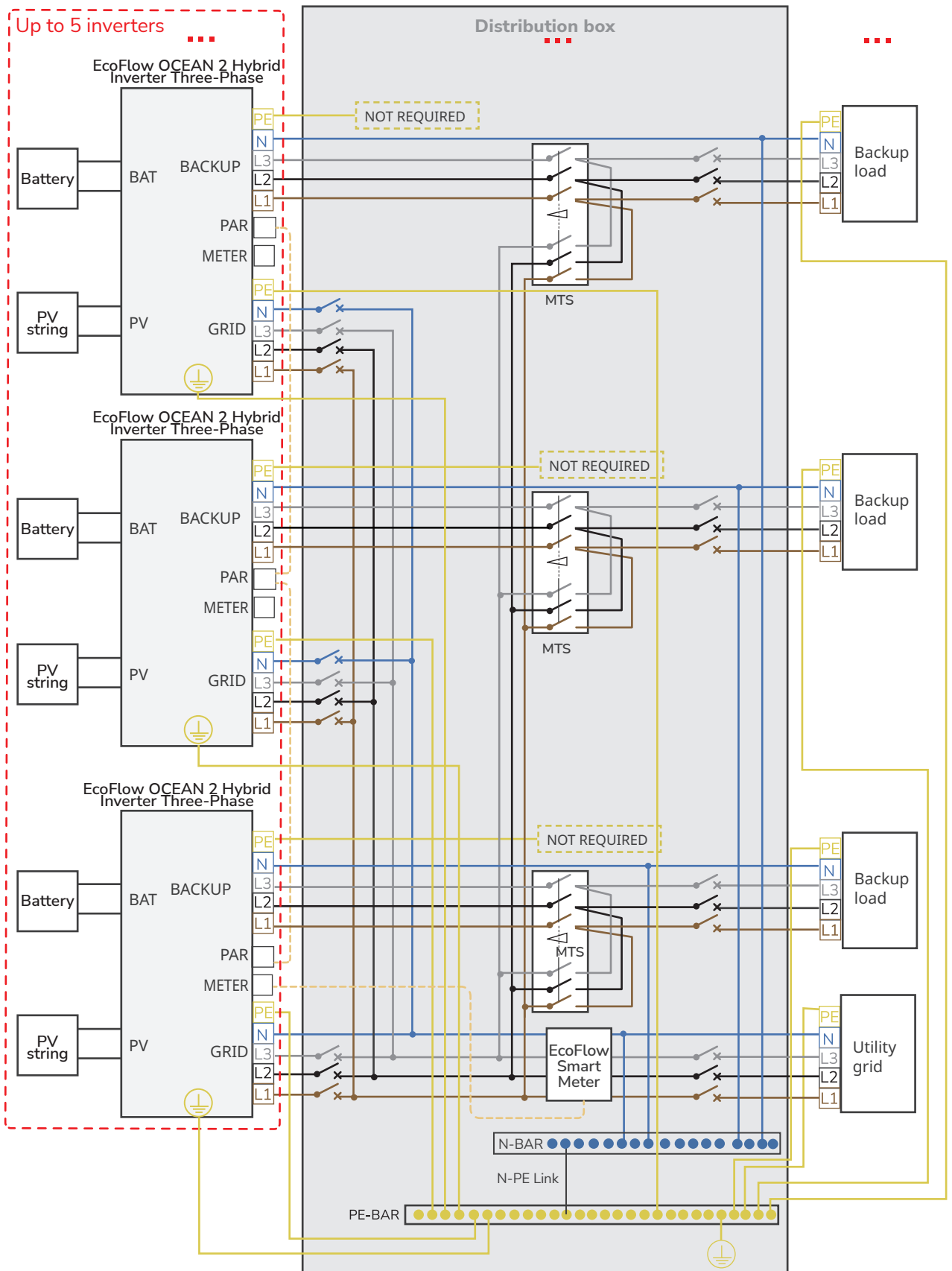
NOTICE

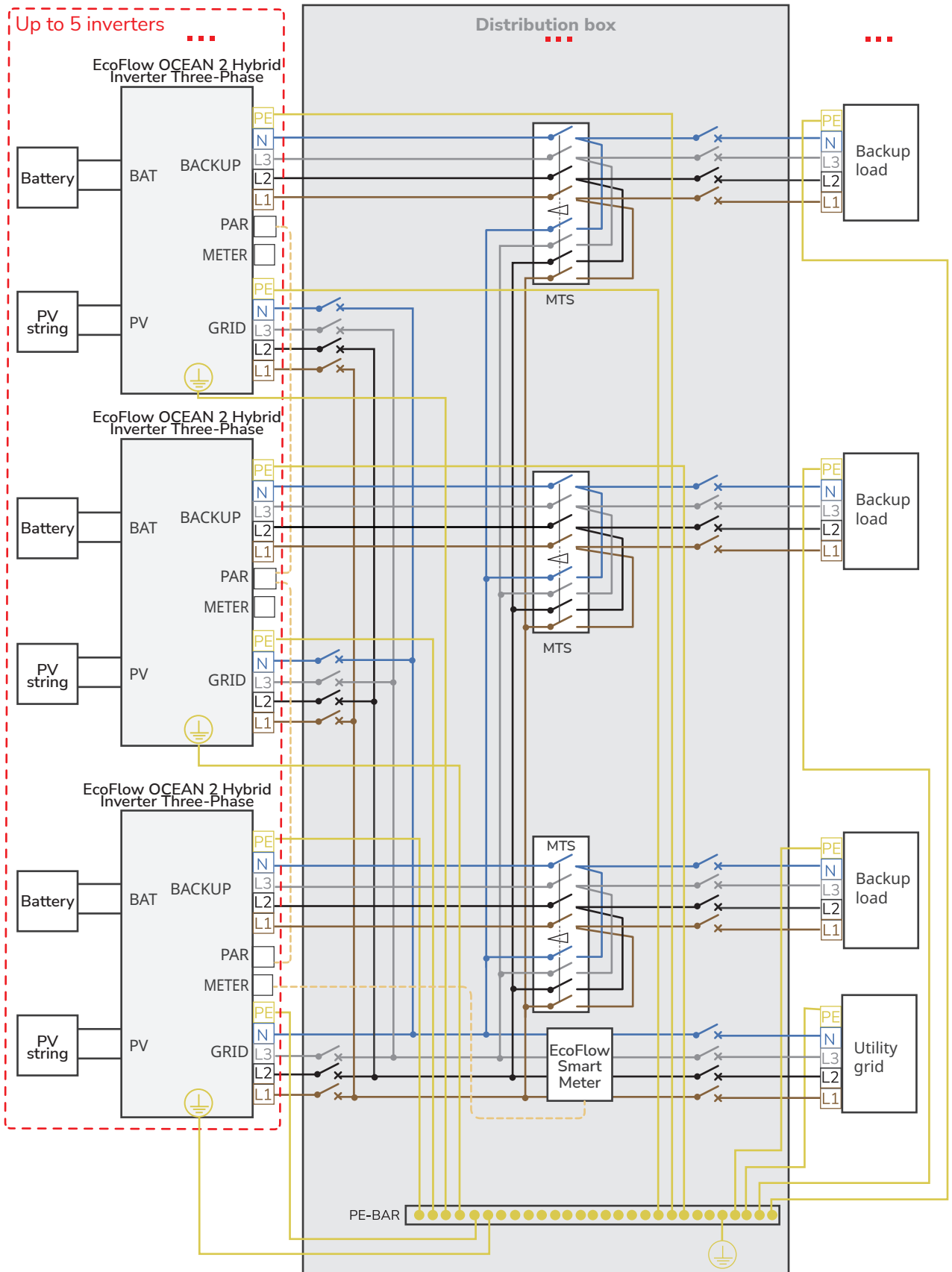
- Do not connect the N-wires of the AC-backup side and AC-grid side, otherwise the system may operate abnormally. If connected in some houses, try disconnecting the N busbar from the grid and connecting the AC-GPID N terminal of inverter directly to the N terminal of the grid.



• 3/4/5 INVERTERS CASCADING (SEPARATE LOADS)

Method 1 N-PE Bonded at Main Panel (For Australia and New Zealand)

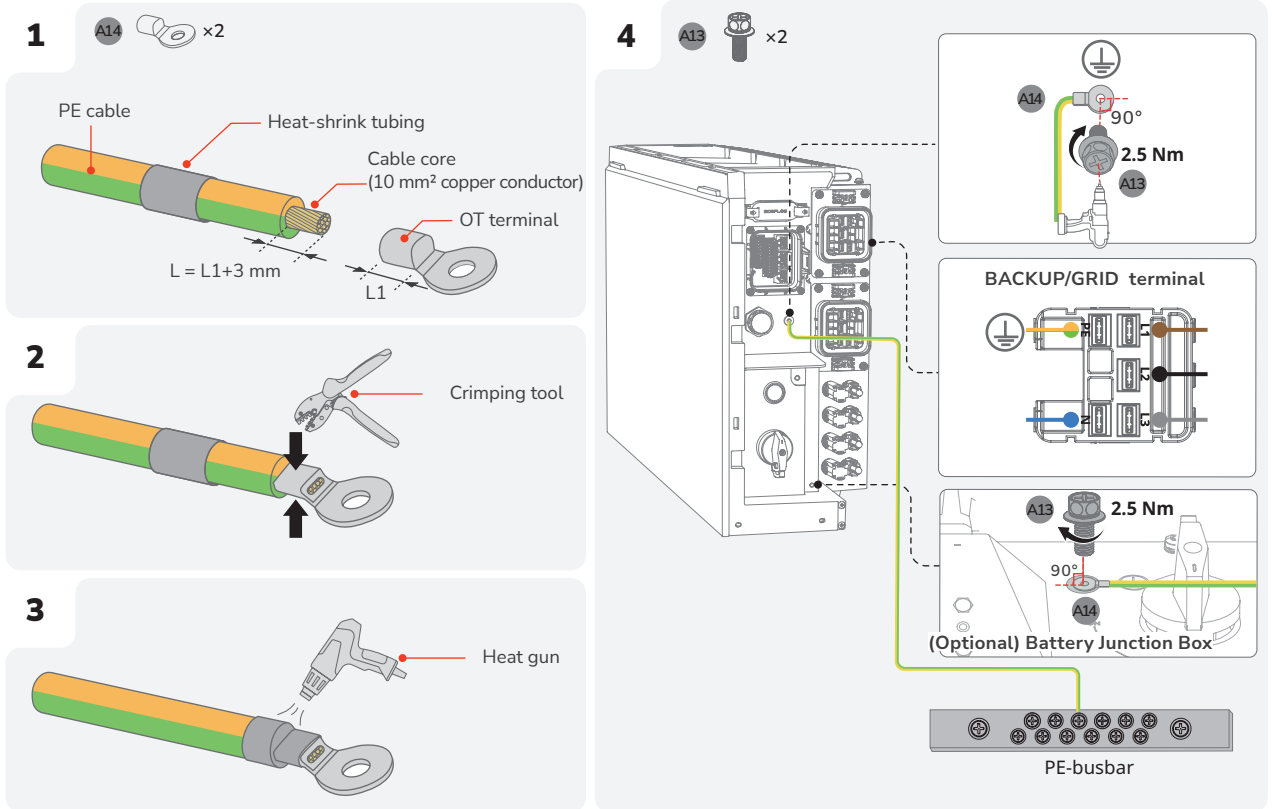




I Connecting PE Cables

NOTICE

- Ensure that the PE cable is connected securely.
- Wrap the wire crimping area with heat shrink tubing or insulation tape. The heat shrink tubing is used as an example.
- When using a heat gun, protect the equipment from being scorched.
- It is recommended that silica gel or paint be used around the ground terminal after the PE cable is connected.
- The inverter features two grounding terminals. For single-stack installations, connect either terminal to the PE-busbar. In dual-stack configurations, connect one terminal to the PE-busbar and the other terminal to the junction box grounding terminal.



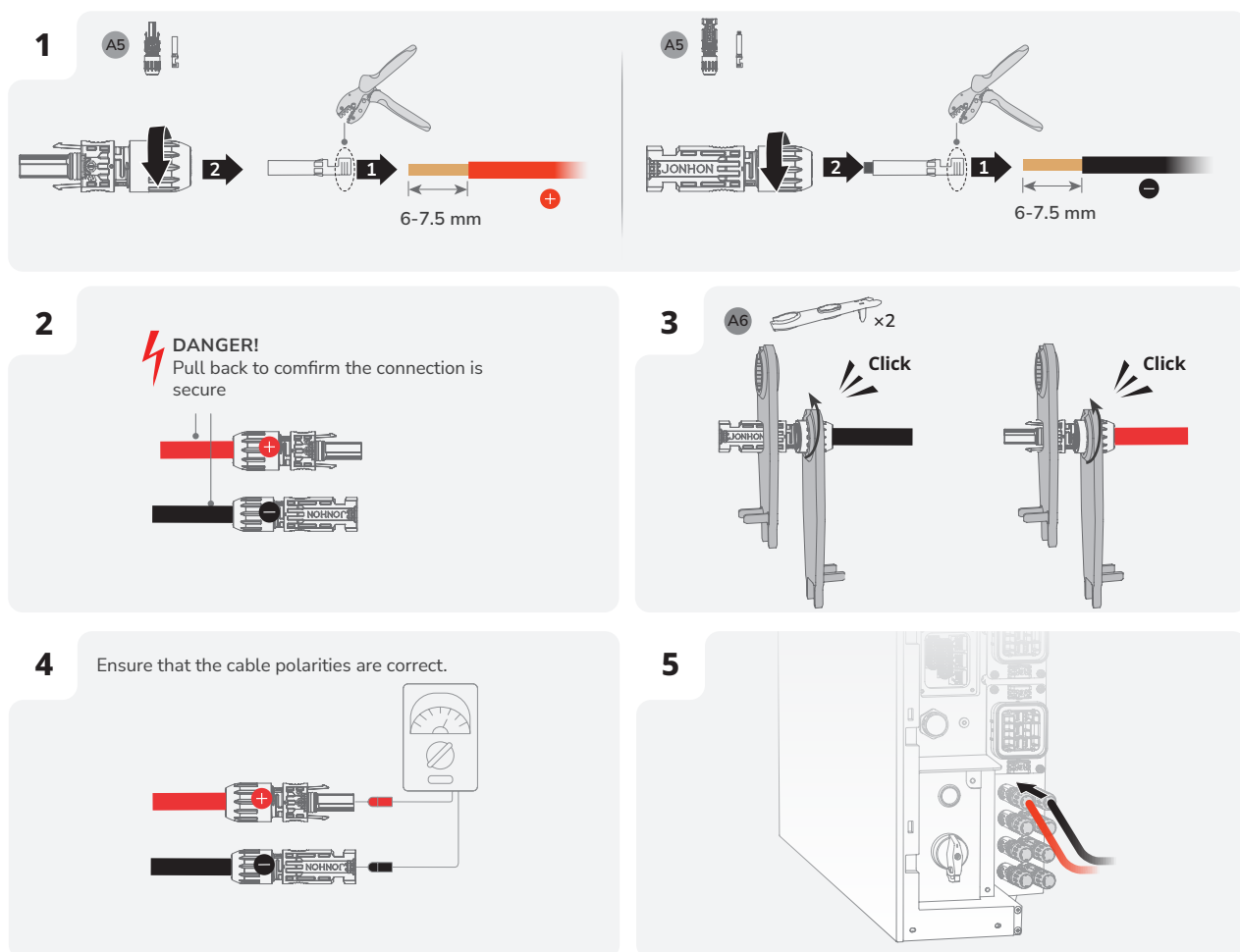
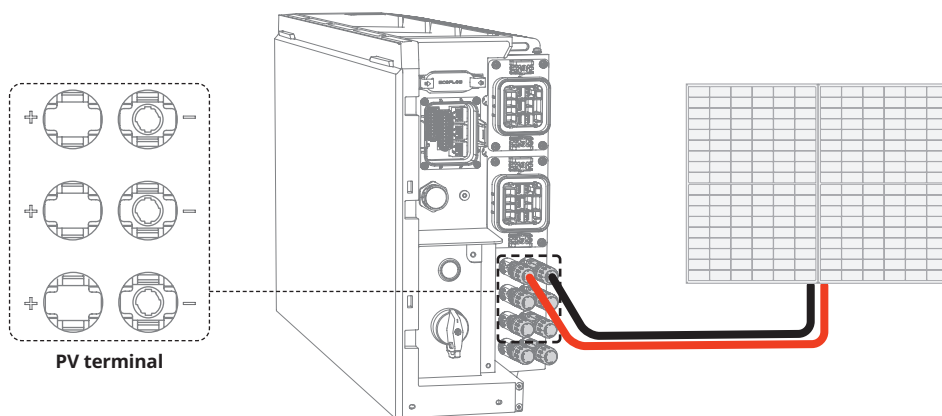
I Connecting PV Input Cables

⚠ DANGER

- Before connecting the PV input cables, ensure AC switch connected to the inverter and the PV SWITCH on the inverter are OFF. Failing to do so may result in electric shocks.
- The PV string will generate lethal high voltage when exposed to sunlight. Disconnect the PV cable of PV string before connecting DC power.
- Before connection, ensure the polarity of the output of the PV array matches "PV+/" "PV-" symbols.
- Before connecting the PV input cables, ensure that the impedance between the positive/negative terminals of the PV string and earth are larger than 1 MΩ. Do not ground the PV array positive/negative hole.
- When the inverter is running, it is not allowed to work on the PV input cables, such as connecting or disconnecting a PV string or a PV module in a PV string. Failing to do so may cause electric shocks.
- Do not remove the protective cap from the unused PV input terminal. Otherwise, the IP rating of the inverter will be affected.
- Ensure that the maximum DC voltage and the maximum short-circuit current of any string do not exceed the allowed range specified in the "Technical Parameters" of the User Manual.

NOTICE

- In order to avoid malfunction, please do not connect any PV modules that have a risk of leakage current to the inverter.
- In order to avoid lightning damage to the inverter, it is recommended to add a surge protection switch at the PV junction box.
- After the positive and negative connectors snap into place, slightly pull the PV input cables back to ensure that they are connected securely.
- It is not recommended that connect different brands or models of PV modules to one MPPT circuit, or connect PV modules of different orientation or angles to one PV string.

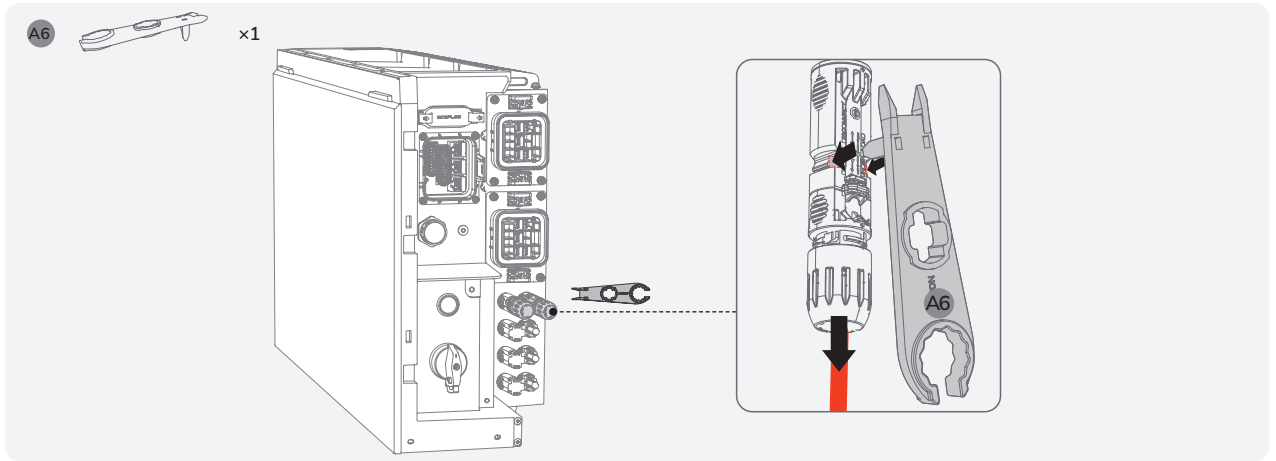


- Set the multimeter to DC gear to measure the voltage at the DC position. If the voltage is a negative value, the PV input polarity is incorrect and needs correction. If the voltage is greater than 1000 V, too many PV modules are configured to the same string. Remove some PV modules.
- If the PV input cable is reversely connected and the PV SWITCH is set to ON, first set the PV SWITCH to the OFF position, then remove the positive and negative connectors, and correct the polarities of the PV input cables.

• REMOVING THE PV TERMINAL



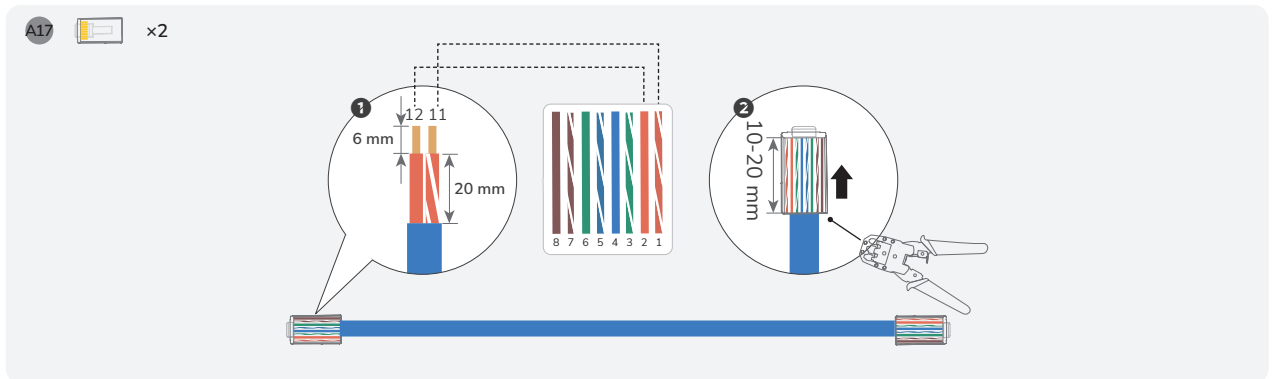
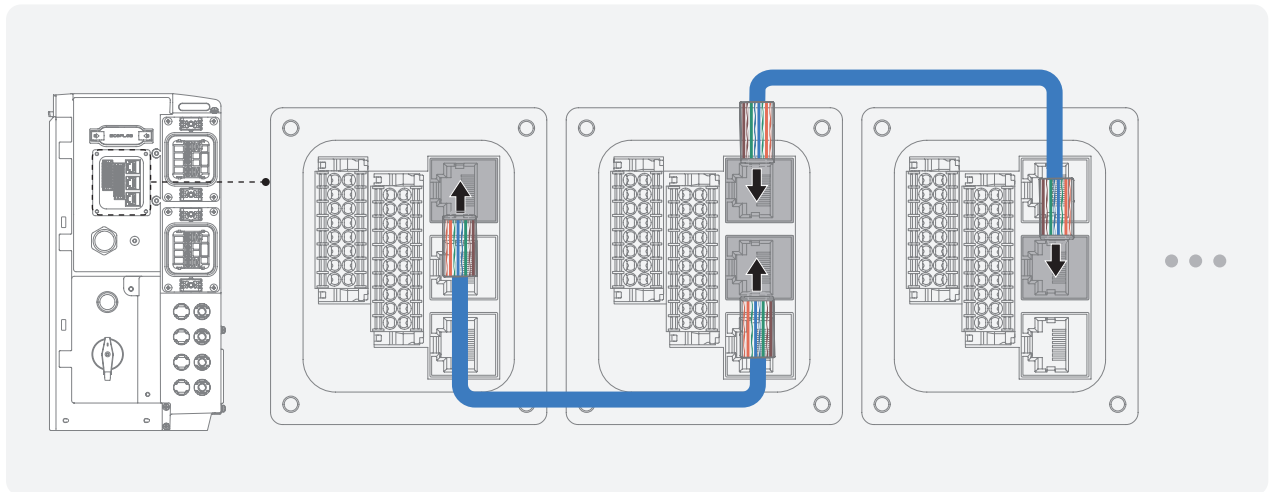
- Before removing the positive and negative connectors, ensure that the PV SWITCH is OFF.



I Communication Between Cascaded Inverters

NOTICE

- Up to 5 inverters can be cascaded.
- On-grid parallel communication cable length: $\leq 100\text{m}$; Off-grid parallel communication cable length: $\leq 10\text{m}$
- Grid-tied: up to 5 inverters; off-grid: up to 2 inverters.



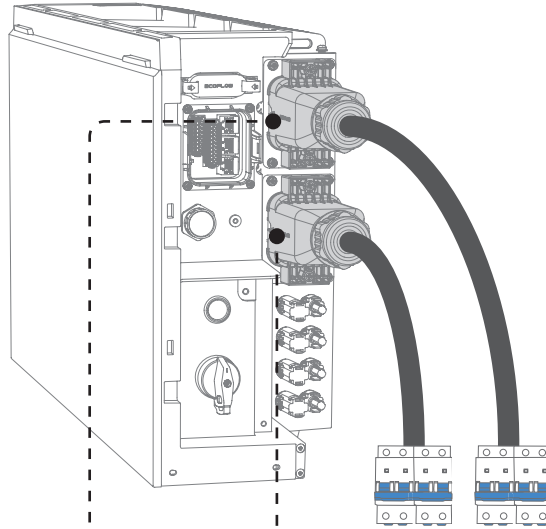
I Connecting GRID/BACKUP Cables



- Straighten the conductors. If any conductor is left outside the wire jacket, a short circuit may occur.
- Make sure to pull back the cable to confirm connection before holding terminal block in place.

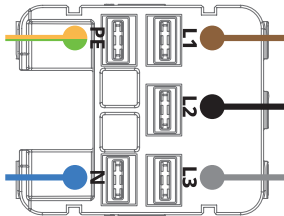
CAUTION

- Before installing, operating, and maintaining the equipment, always disconnect it from all power.
- Do not connect loads between the inverter and the AC switch that directly connects to the inverter.
- Ground the PE pole of GRID connector and the equipment enclosure.
- Do not connect the GRID conductors to the BACKUP load terminal of the inverter, and do not connect the BACKUP load conductors to the GRID terminal.
- Please ensure the wiring is correct; otherwise, it may cause device malfunction or even damage.



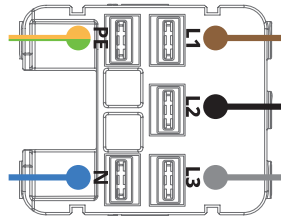
GRID terminal

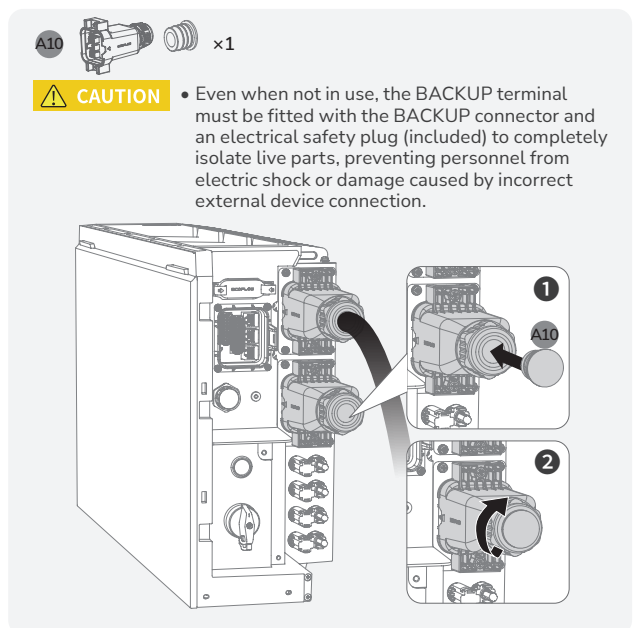
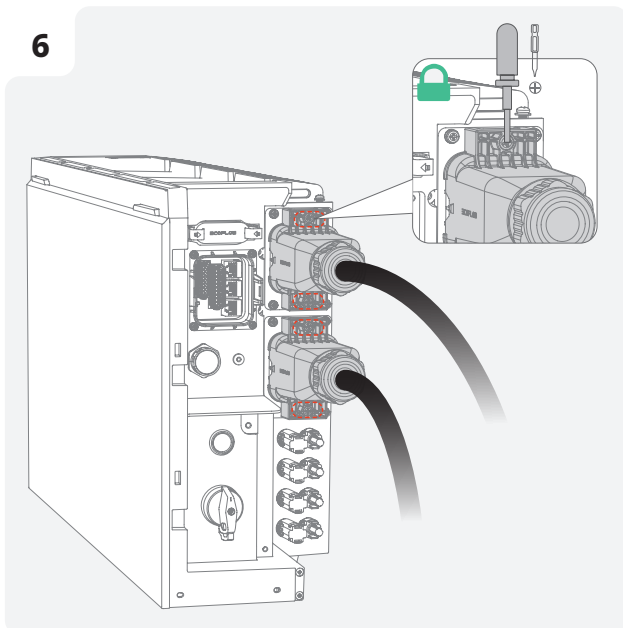
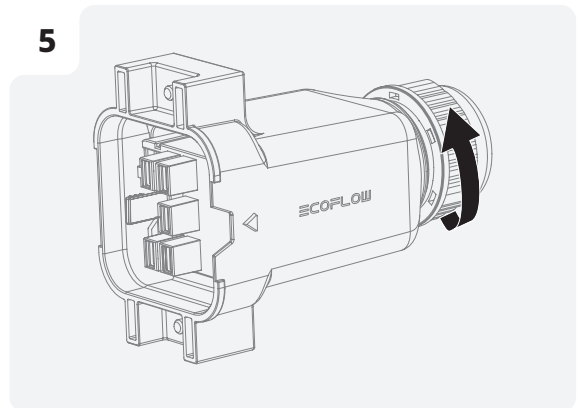
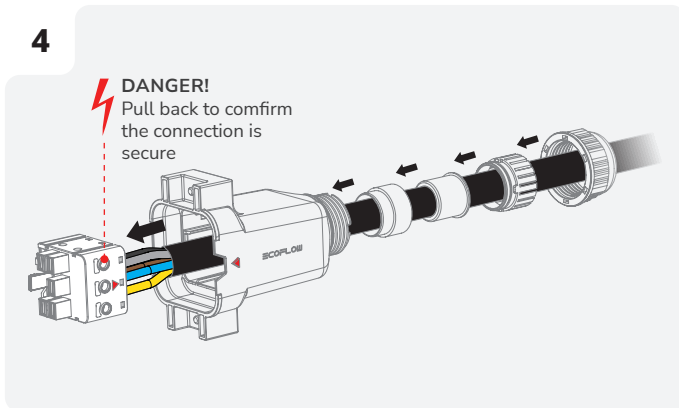
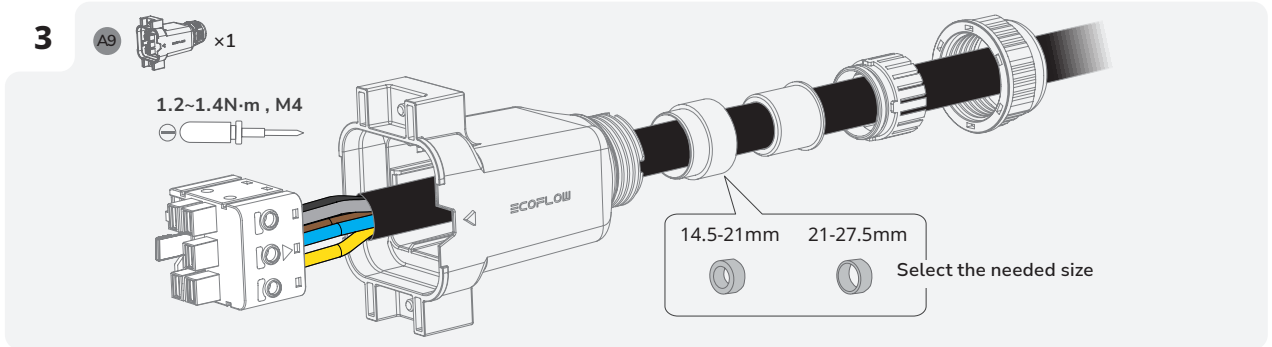
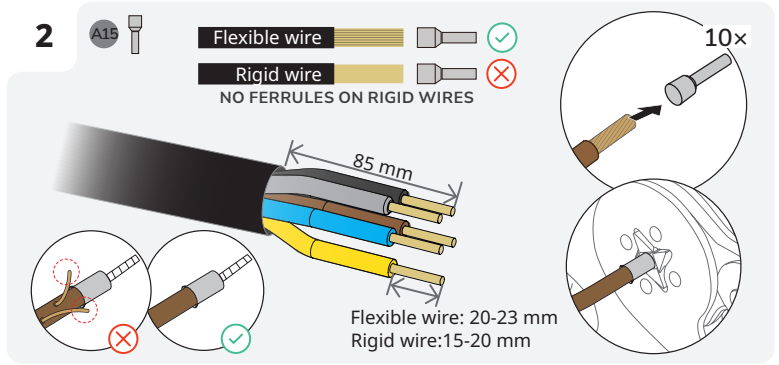
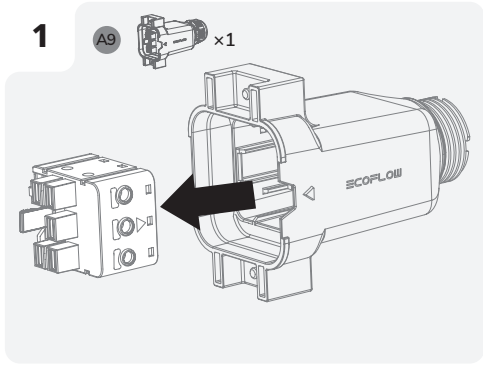
- GL1 · GRID-L1, a-phase line 1
- GL2 · GRID-L2, b-phase line 2
- GL3 · GRID-L3, c-phase line 3
- GN · GRID-N, neutral wire
- GP · GRID-PE, ground wire



BACKUP load terminal

- L1 · LOAD-L1, a-phase line 1
- L2 · LOAD-L2, b-phase line 2
- L3 · LOAD-L3, c-phase line 3
- N · LOAD-N, neutral wire
- P · LOAD-PE, ground wire

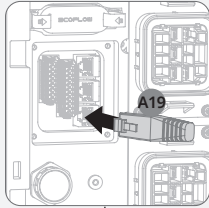




I Cascading Batteries

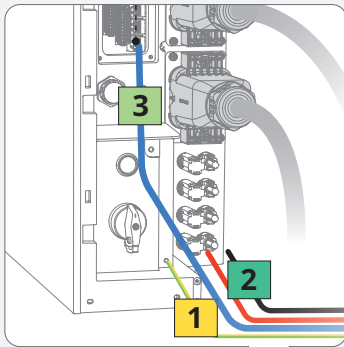
NOTICE

- For cascade battery configurations, the EcoFlow PowerOcean Plus Battery Junction Box (EF BD-JC-S2) is required to ensure proper connection of multiple battery stacks. One battery junction box supports a maximum of 6 battery packs.
- Up to 12 battery packs can be cascaded.
- Do not remove the protective cap of unused DC input terminals. Otherwise, the IP rating of the inverter will be affected.
- For the battery clearance, see the section Installation Space Requirements in this guide.



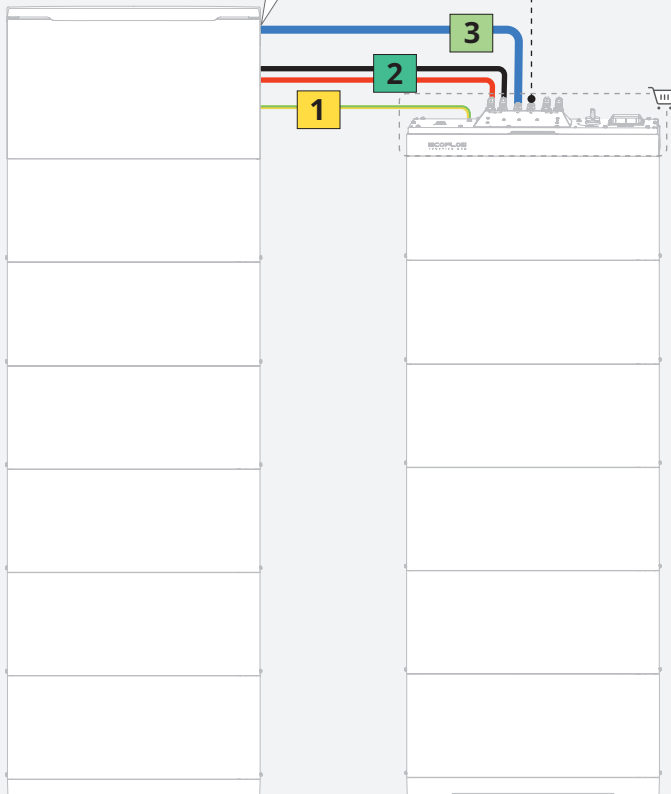
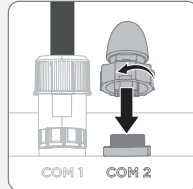
NOTICE

- B-COM port: Please install a terminating resistor to the unused B-COM terminal for proper communication.



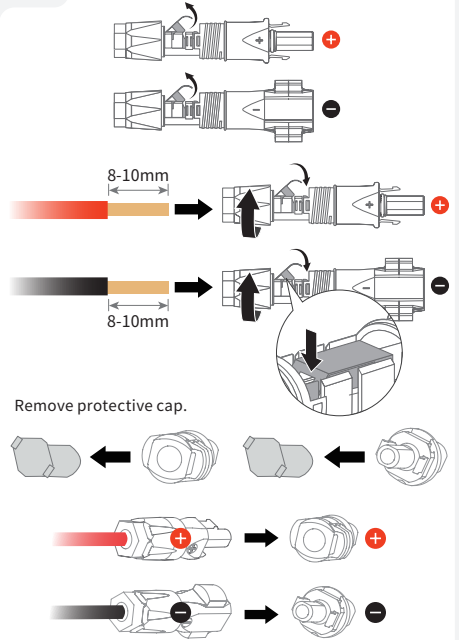
NOTICE

- B-COM port: Please install a terminating resistor to the unused B-COM terminal for proper communication.



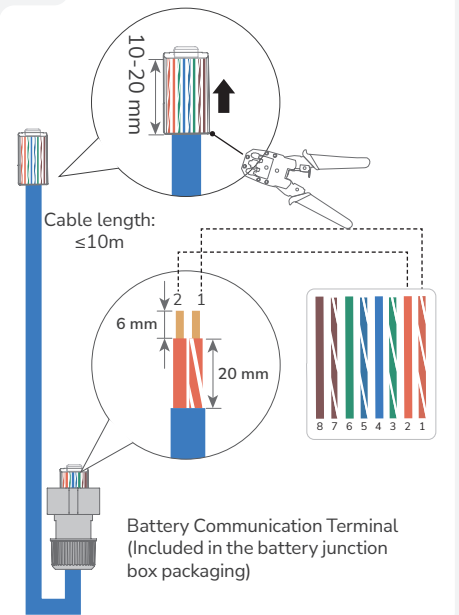
2

Battery Power Cables (Included in the battery junction box packaging)



3

A17 ×1 Preparing battery communication cables



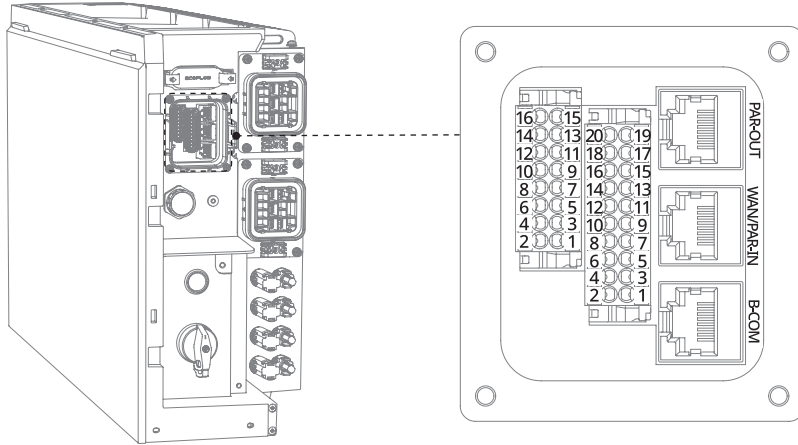
1

For details about connecting grounding terminals between the battery junction boxes, see the section **Connecting PE Cables** in this guide.

I Installing COM Terminal With Shorting Wire

NOTICE

- COM terminal supports logic interface connection. Logic interface is required by some local regulations that can be operated by a simple switch or contactor.
- When the switch is switched on, the inverter can operate normally. When the switch is switched off, the inverter will reduce its active power to zero.
- DRM only be supported in Australia and New Zealand.
- Relay Contact rating of SG_Ready pins: 30V/2A. The recommended load should be rated $\leq 24V/2A$ for safe operation.

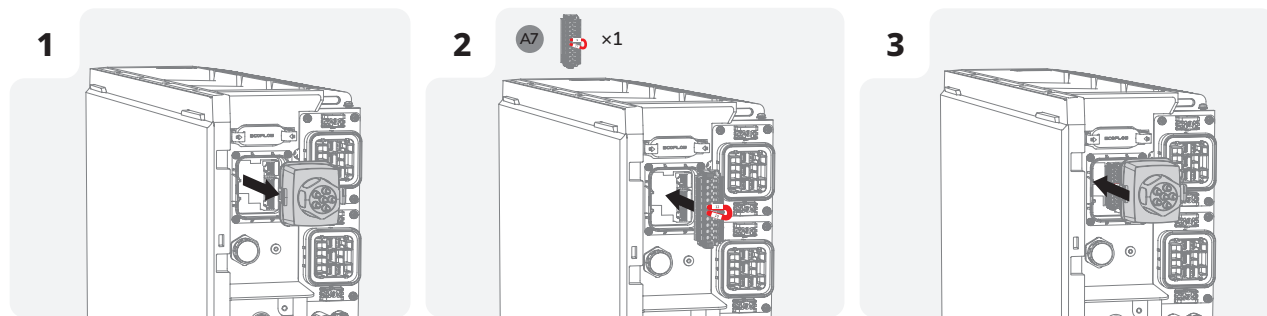


• 16-PIN COM TERMINAL DEFINITION

Off-Grid Parallel Communication / Gateway Communication		RS485 Communication for Ecosystem Appliances	
1	CAN0_H	2	ECO_485_B1
3	CAN0_L	4	ECO_485_A1
5	SYN	6	ECO_485_B2
7	SYN_GND1	8	ECO_485_A2
SG_Ready / Earth Fault Alarm (EFA)		Smart Meter	
9	DO 2_1 (for SG_Ready 2)	10	METER_485_B3
11	DO 2_2 (for SG_Ready 2)	12	METER_485_A3
13	DO 1_1 (for SG_Ready 1 / EFA)	DC Output	
15	DO 1_2 (for SG_Ready 1 / EFA)	14	12V_OUT
		16	12V_GND1

• 20-PIN COM TERMINAL DEFINITION

Signal Shield Grounding		DRM / RCR Communication	
1	PE	2	GND2 (for DRM/RCR)
3	Reserved	4	DRM0
RCR DI Communication			
5	RCR_DI3	6	RCR_DI1
7	RCR_DI4	8	RCR_DI2
CAN Communication for Ecosystem Appliances		Emergency Stop Input	
9	ECO_CAN3_H	10	EPO
11	ECO_CAN3_L	12	EPO_GND2
CAN Communication		DI Communication for Gateway / Generator	
13	CAN4_H	14	DI 2
15	CAN4_L	16	DI 2_GND1
DI Communication for Dry Contact Control (14a)		DO Communication for Generator	
17	DI 1	18	DO 3_1
19	DI 1_GND2	20	DO 3_2



• RIPPLE CONTROL RECEIVER (RCR)

Ripple control receiver (RCR) is an interface between a PV system and power grid company that enables the grid operator to reduce the feed-in power if necessary. Generally, if the grid is overloaded, the utility company will specify whether the PV system should reduce their feed-in power to 0%, 30%, 60% of their rated power. If the grid is not overloaded, the PV system will be allowed to input 100% of the power. These control commands will be directly sent to the installer and then realized by the RCR.

The RCR has four relays (K1-K4). The relays are potential-free make contacts. The relays are interlocked with each other. Furthermore, each of these relays represents one of the following control stages:

No.	K1	K2	K3	K4	System Setpoint
1	0	0	0	0	100%
2	0	0	0	ON	0%
3	0	0	ON	0	30%
4	0	0	ON	ON	0%
5	0	ON	0	0	60%
6	0	ON	0	ON	0%
7	0	ON	ON	0	30%
8	0	ON	ON	ON	0%
9	ON	0	0	0	100%
10	ON	0	0	ON	100%
11	ON	0	ON	0	100%
12	ON	0	ON	ON	100%
13	ON	ON	0	0	100%
14	ON	ON	0	ON	100%
15	ON	ON	ON	0	100%
16	ON	ON	ON	ON	100%

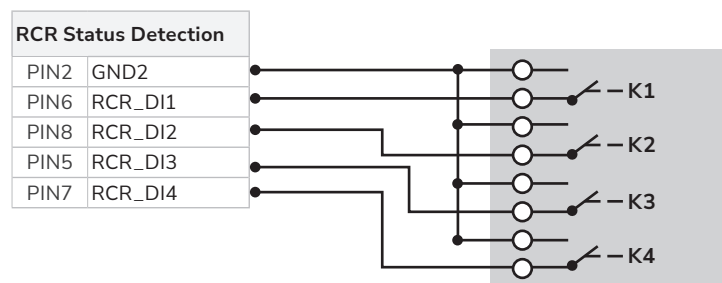
Please enable the RCR via EcoFlow App, in this case, the feed-in power limitation will be enabled. The inverter is connected to the ripple control receiver as follows:

RCR_DI1 (PIN6): 100%

RCR_DI2 (PIN8): 60%

RCR_DI3 (PIN5): 30%

RCR_DI4 (PIN7): 0%




(Optional) To disconnect cables from PAR-OUT / WAN/PAR-IN / B-COM ports, first remove the 16-pin/20-pin communication terminals.

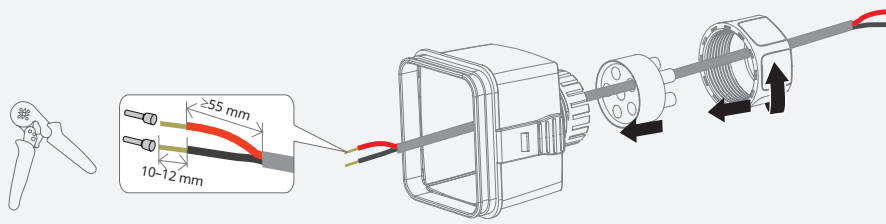


I (Optional) Installing Emergency Stop (EPO)

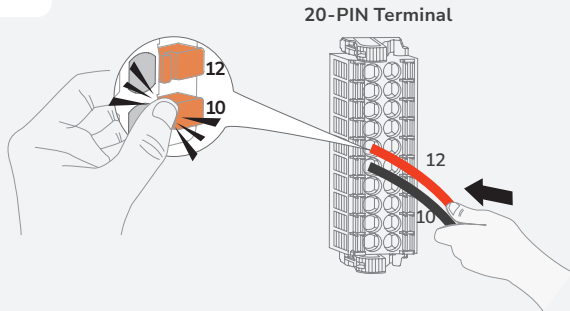
NOTICE

- Before installing EPO, remove the shorting wire between PIN10 and PIN12.

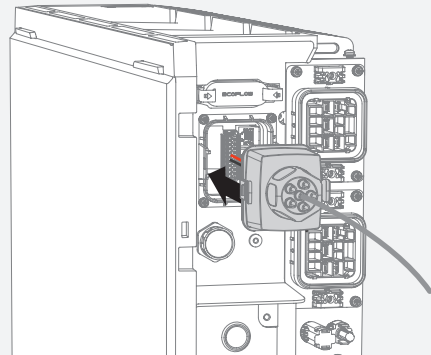
1 A16  x2



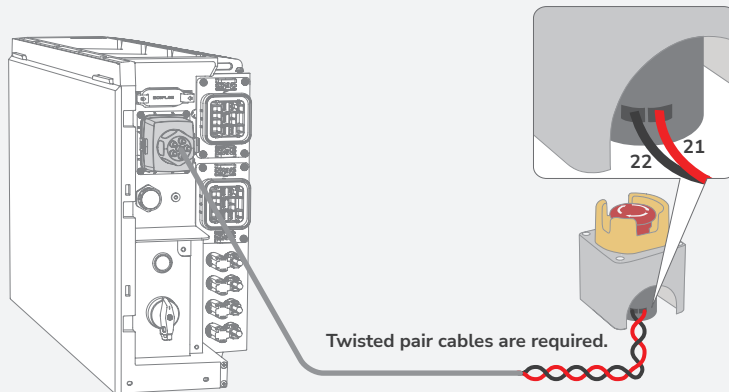
2



3




4



I Connecting Ecosystem Appliances

The EcoFlow Ocean 2 system supports connecting with ecosystem appliances (EcoFlow PowerHeat, EcoFlow PowerPulse 2, etc.) via the COM interface.

Refer to the procedure in the section "(Optional) Installing Emergency Stop (EPO)" and connect the wires in accordance with the PIN definition of the COM interface. Check the installation guide of the corresponding products.

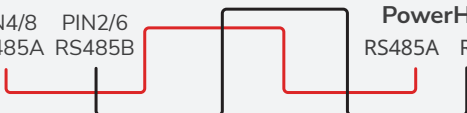
 RS485 / CAN communication cable length: ≤50m

16-Pin COM Port

PIN4/8
RS485A RS485B

EcoFlow PowerHeat

RS485A RS485B

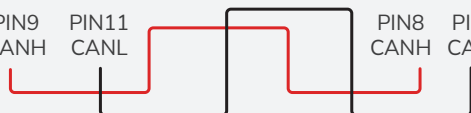


20-Pin COM Port

PIN9
CANH CANL

EcoFlow PowerPulse 2

PIN8
CANH CANL

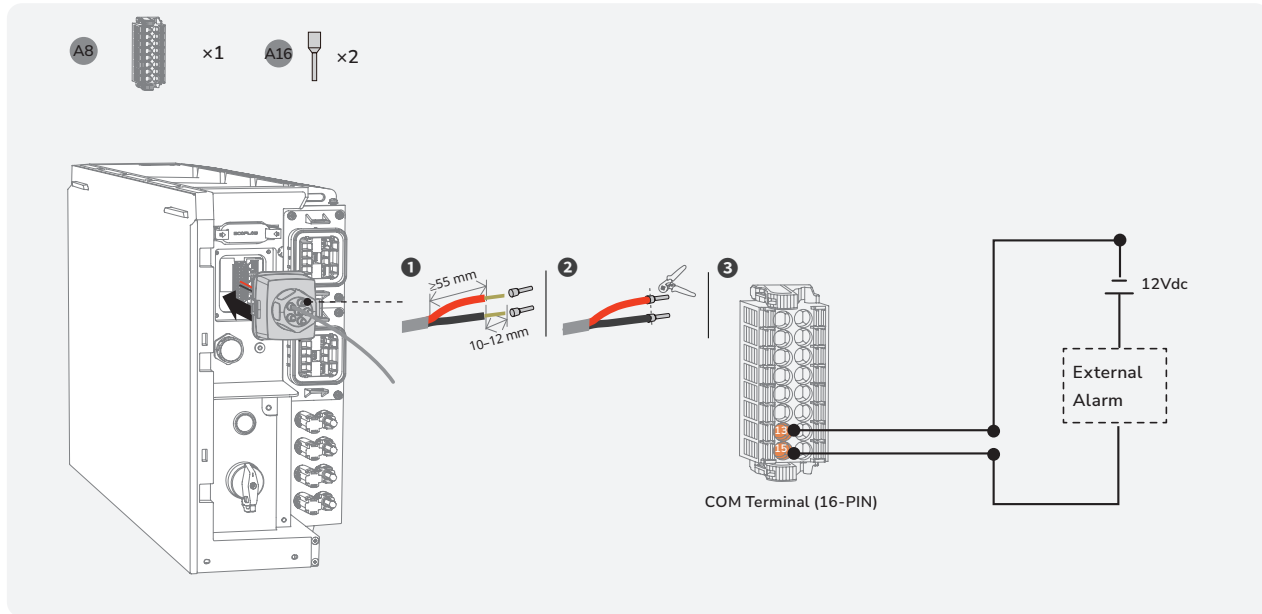


I Installing Earth Fault Alarm

The inverter provides terminals for connecting to an external alarm for earth fault. The additional equipment required is a light indicator and/or a buzzer. The external alarm needs to be powered by an external power supply less than 24V.

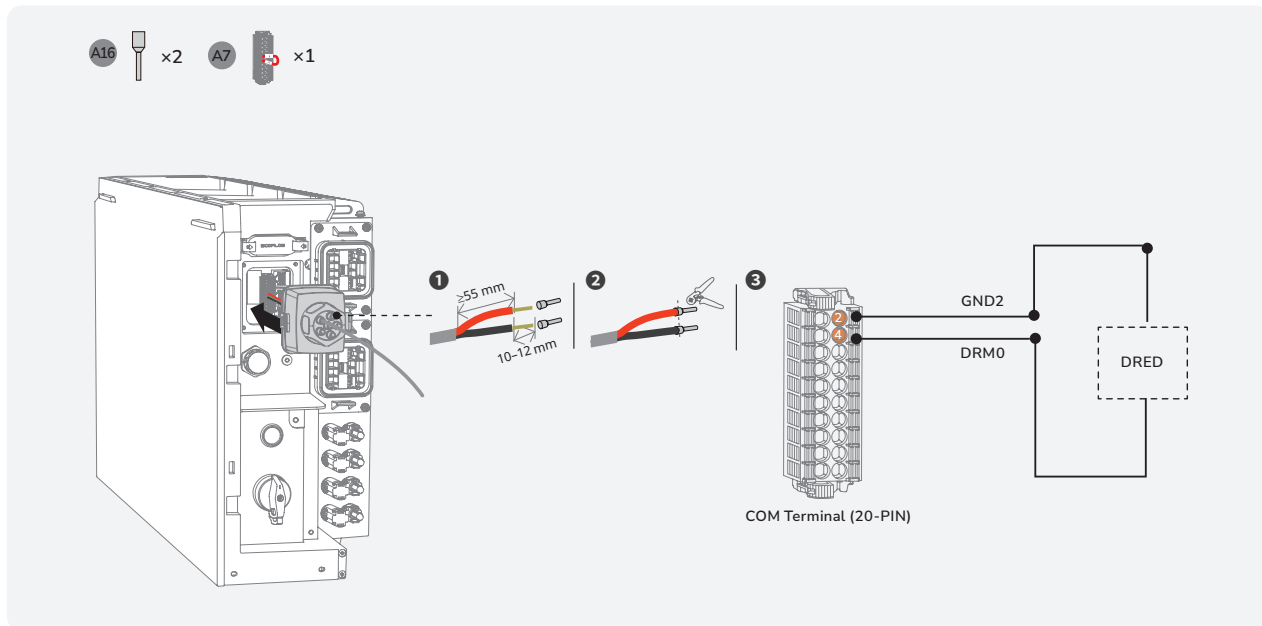
If an earth fault occurs,

- the light indicator will blink, or the buzzer will beep;
- the corresponding fault codes will pop up on the EcoFlow App. Visit the EcoFlow App to retrieve the error code for troubleshooting.



I Installing Demand Response Enabling Device

The inverter provides terminals for connecting to a Demand Response Enabling Device (DRED). After the connection, the DRED can trigger various demand response modes (DRMs) on the inverter. These DRMs allow the utility grid to control the inverter's operation, potentially limiting power output or even disconnecting the inverter, to manage grid stability and demand. The most common DRM is DRM0, which instructs the inverter to reduce its output to zero.



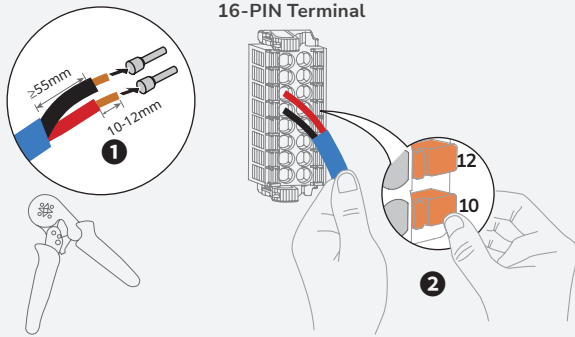
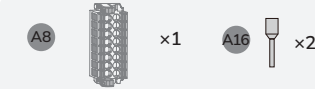
I (Optional) Energy Metering Installation for Partial Backup System

NOTICE

- Smart meter is sold separately, which has been preset parameters before delivered. Do not modify the relevant parameters.
- The compatibility of this product with smart meters may vary by regions and versions. For detailed instructions on the installation and wiring scheme of the smart meter for this product, please refer to the guide that comes together with the meter.
- The cable colors shown in the figures are for reference only. Select an appropriate cable according to the local standards.
- RS485 communication cable length: $\leq 50\text{m}$
- External meter is not required for whole-home backup applications.
- Install CT with a minimum 50cm clearance from all other power cables, except for the conductor being measured which may pass through the CT; this prevents electromagnetic interference that could compromise measurement accuracy.

• WITH CT

1



2

METER SAMPLING

Find the home mains and connect the smart meter as shown in the diagram.

3

METER COMMUNICATION

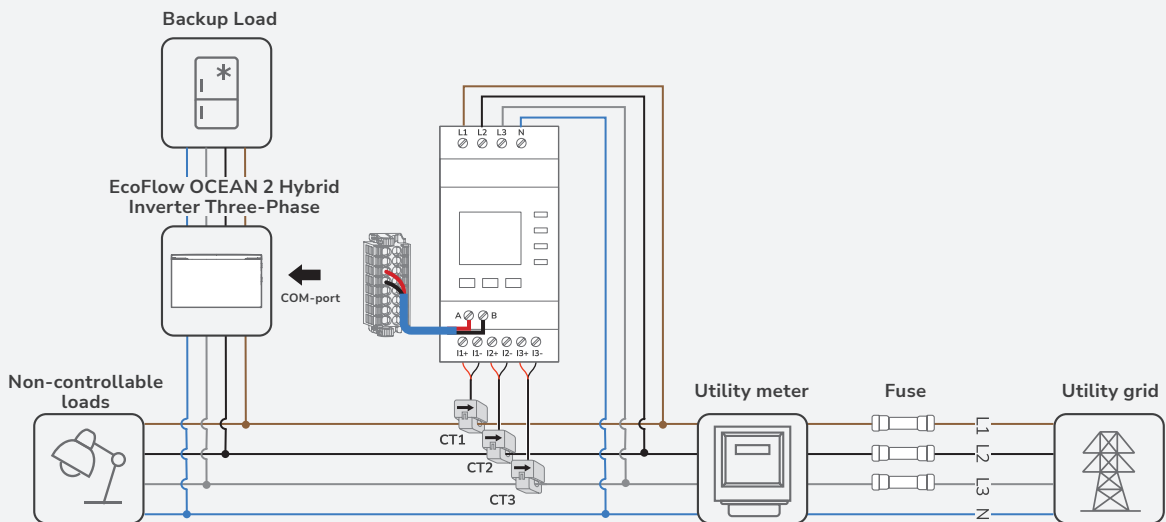
Find communication port A,B on the meter and connect with the inverter.




L1	Grid L1
L2	Grid L2
L3	Grid L3
N	Grid N
A	RS485A
B	RS485B
I1+	Grid L1 CT
I1-	
I2+	Grid L2 CT
I2-	
I3+	Grid L3 CT
I3-	

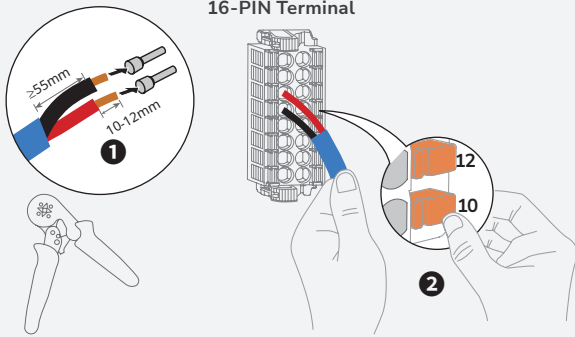
4

COMMUNICATION WIRING DIAGRAM



• WITHOUT CT

- 1  ×1  ×2

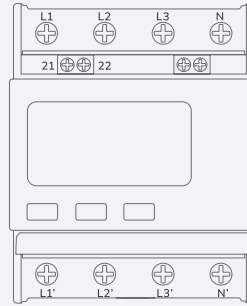


2 METER SAMPLING

Find the home mains and connect the smart meter as shown in the diagram.

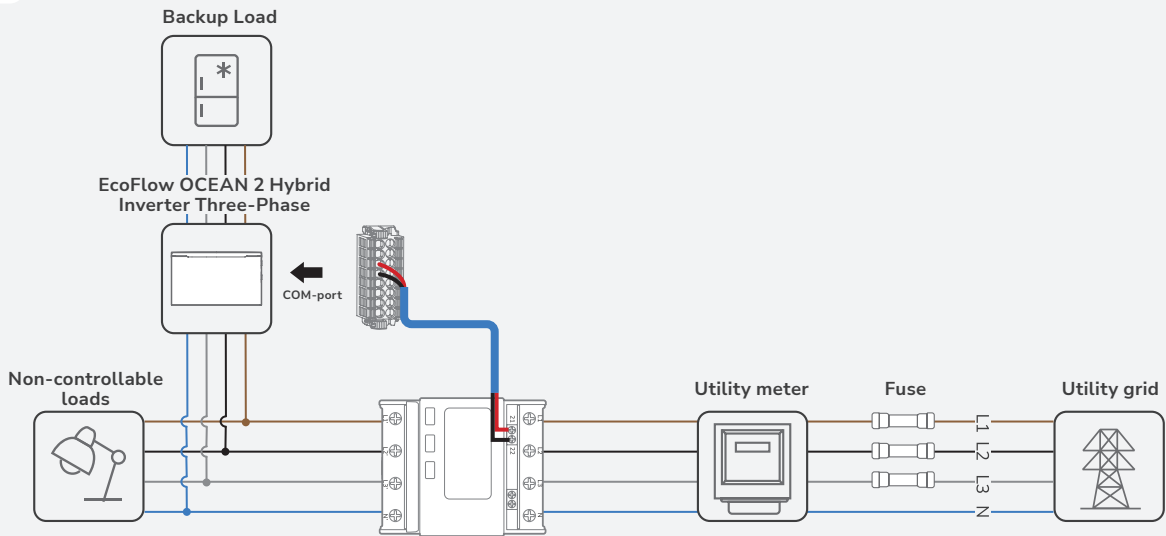
3 METER COMMUNICATION

Find communication port A,B on the meter and connect with the inverter.



L1	Grid L1
L2	Grid L2
L3	Grid L3
N	Grid N
21	RS485A
22	RS485B
L1'	Load L1
L2'	Load L2
L3'	Load L3
N'	Load N

4 COMMUNICATION WIRING DIAGRAM



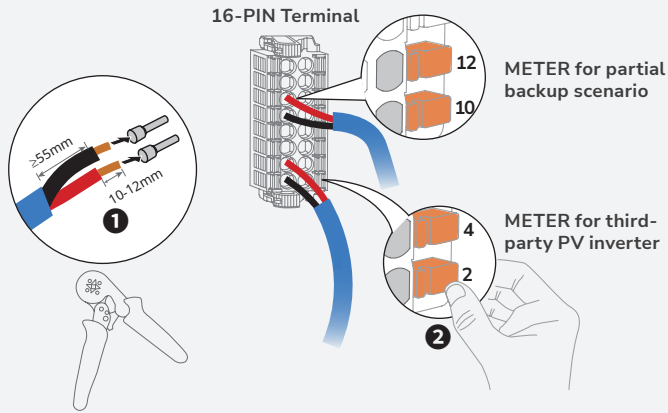
I (Optional) Energy Metering Installation for System with Third-Party PV Integration

NOTICE

- It is recommend to use of CAT5 or higher rating network cable.
- Smart meter is sold separately, which has been preset parameters before delivered. Do not modify the relevant parameters.
- The compatibility of this product with smart meters may vary by regions and versions. For detailed instructions on the installation and wiring scheme of the smart meter for this product, please refer to the guide that comes together with the meter.
- If the existing third-party PV system already has its own grid-tied meter, its meter configuration and wiring remain unchanged when the EcoFlow OCEAN 2 three-phase system is added.
- Install CT with a minimum 50cm clearance from all other power cables, except for the conductor being measured which may pass through the CT; this prevents electromagnetic interference that could compromise measurement accuracy.

• METER WITH CT

1



2

METER SAMPLING

Find the home mains and connect the smart meter as shown in the diagram.

3

METER COMMUNICATION

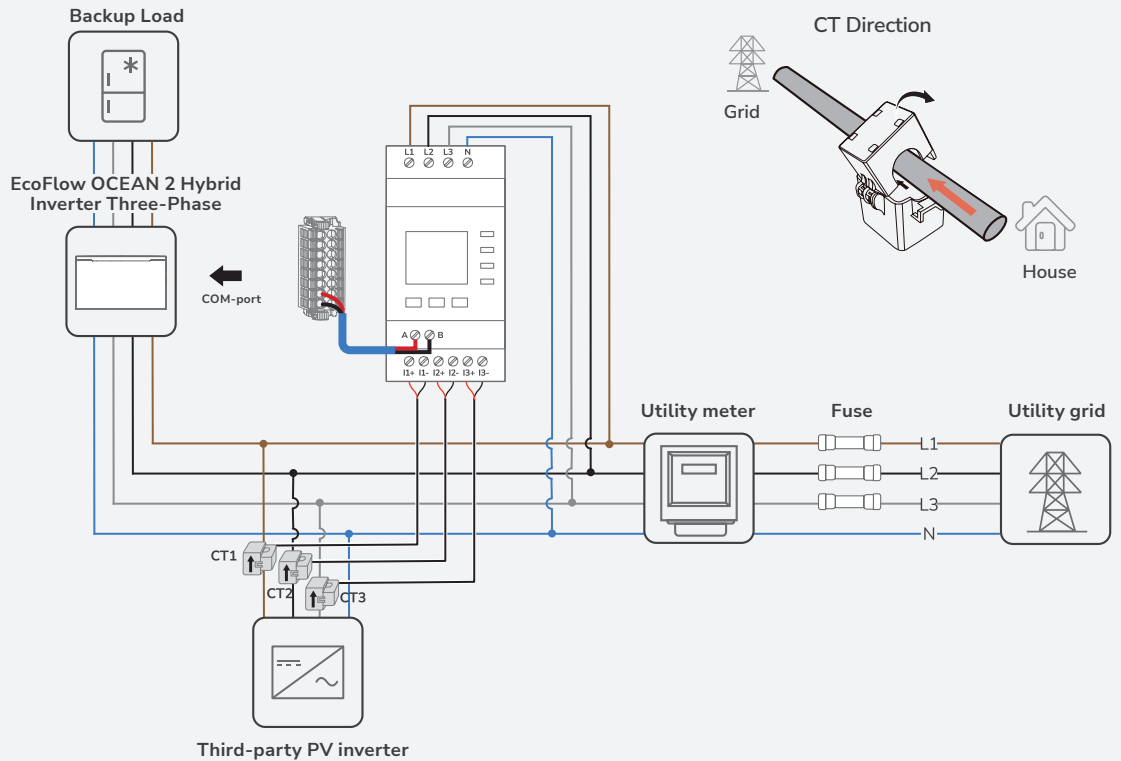
Find communication port A,B on the meter and connect with the inverter.



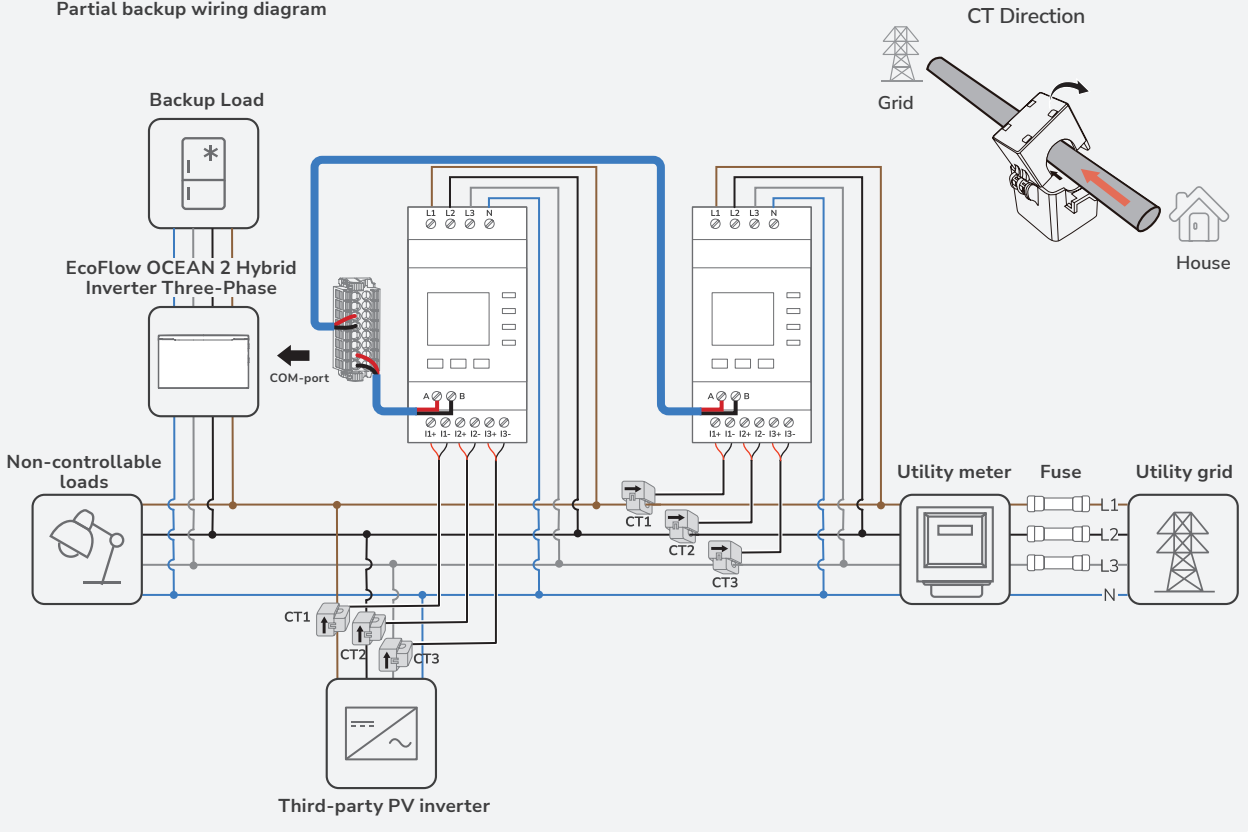
L1	Grid L1
L2	Grid L2
L3	Grid L3
N	Grid N
A	RS485A
B	RS485B
I1+	Grid L1 CT
I1-	
I2+	Grid L2 CT
I2-	
I3+	Grid L3 CT
I3-	

4

Whole-home backup wiring diagram

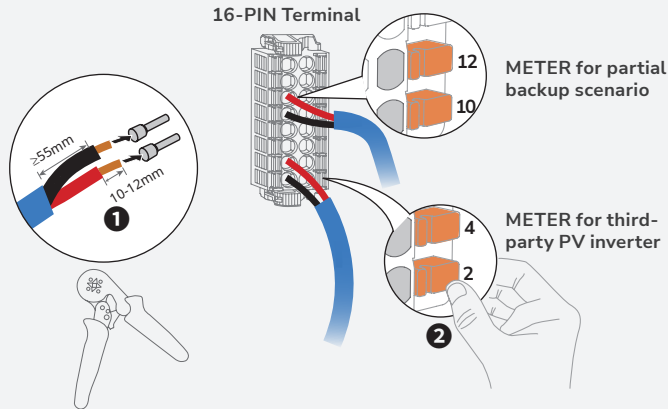


Partial backup wiring diagram



• WITHOUT CT

1



2

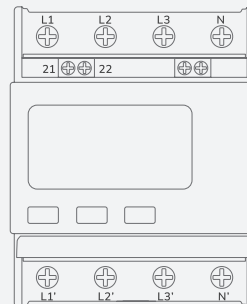
METER SAMPLING

Find the home mains and connect the smart meter as shown in the diagram.

3

METER COMMUNICATION

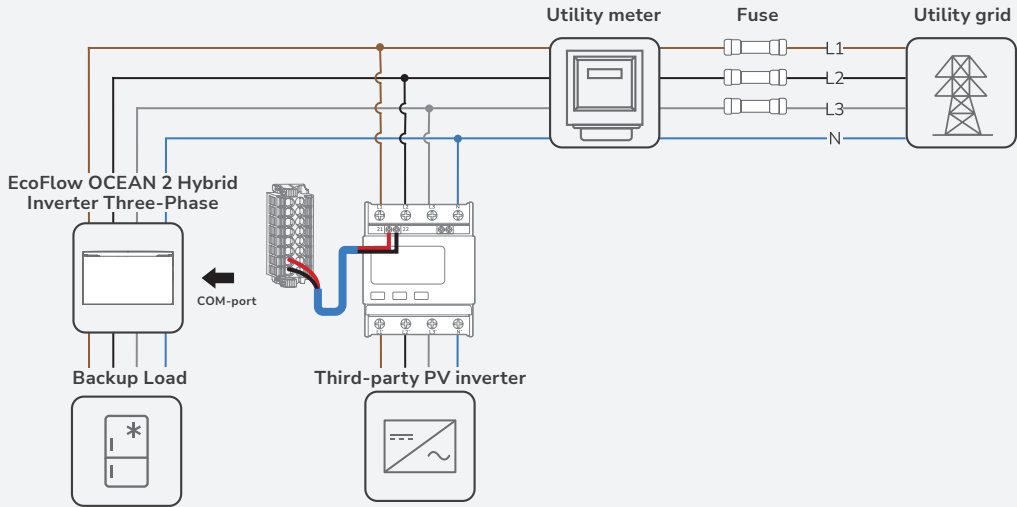
Find communication port A,B on the meter and connect with the inverter.



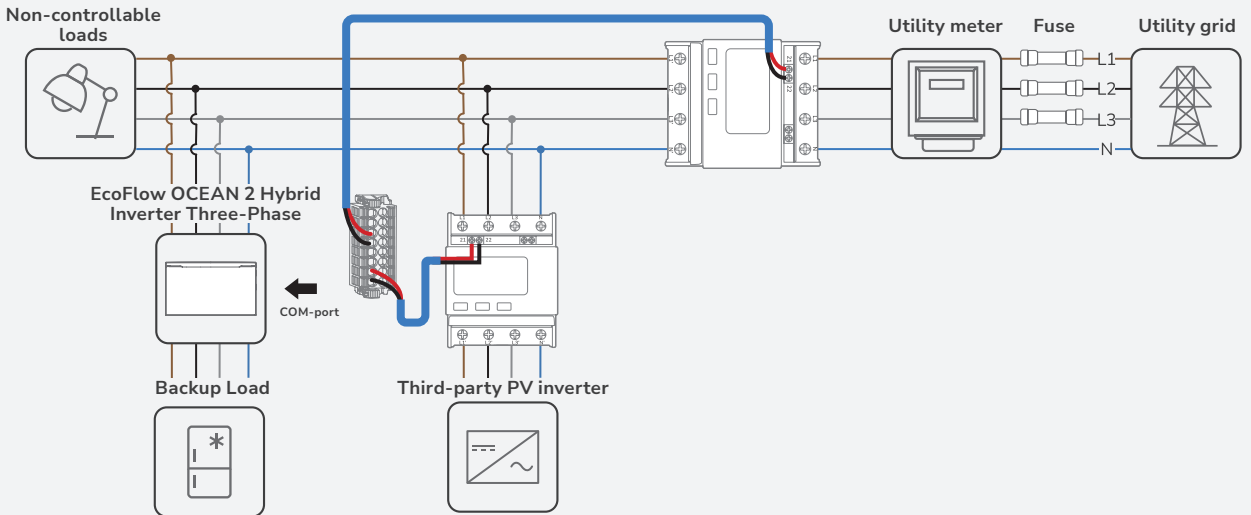
L1	Grid L1
L2	Grid L2
L3	Grid L3
N	Grid N
21	RS485A
22	RS485B
L1'	Load L1
L2'	Load L2
L3'	Load L3
N'	Load N

4

Whole-home backup wiring diagram



Partial backup wiring diagram

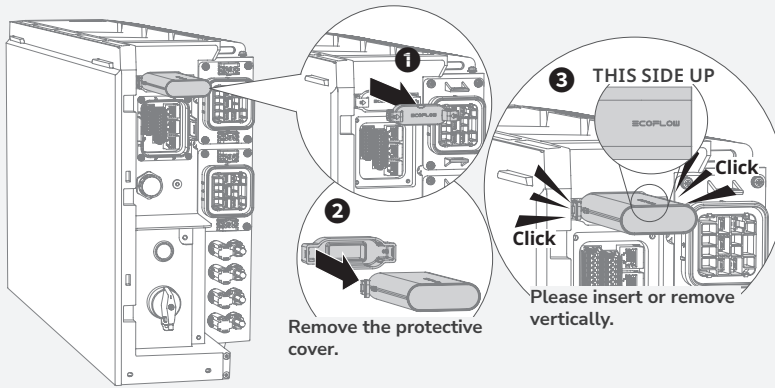


I Connecting to the Internet

NOTICE

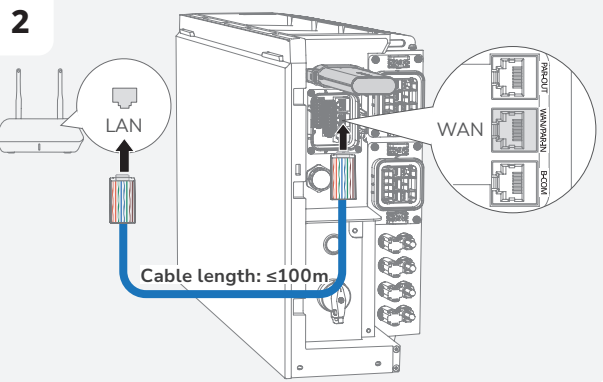
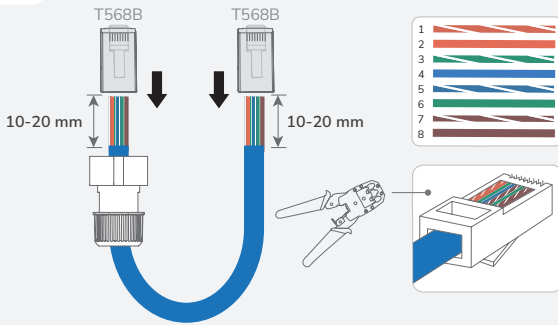
- Use shielded CAT 5 or higher rating network cable for stable connection.
- For more details about EcoFlow OCEAN 2 Dongle, please visit following website to access user manual: <https://energy.ecoflow.com/eu/documentation>
- The WIFI dongle is used for wired and wireless WLAN or Bluetooth communication between inverters and EcoFlow app, which is required for a single inverter or each of cascaded inverters.
- For maximum reliability, use a wired connection. If wireless is necessary, select the 2.4GHz frequency band (avoid 5GHz) and maintain a clear line of sight between the router and OCEAN 2 Dongle.

• METHOD 1: VIA A WIRELESS NETWORK

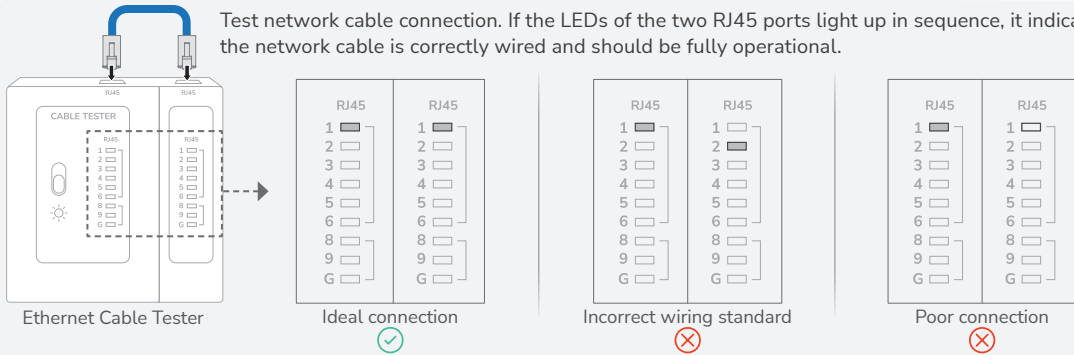


• **METHOD 2: VIA A WIRED NETWORK**

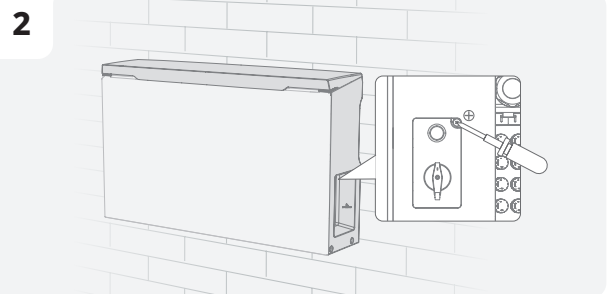
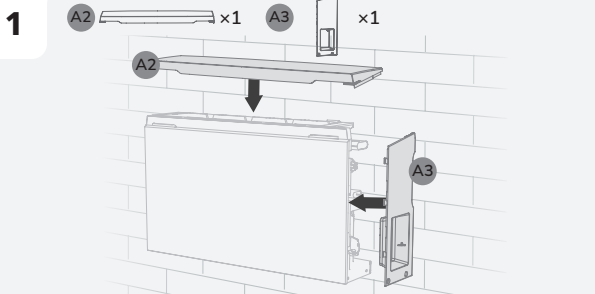
1 Both ends of the network cable use the T568B wiring standard.



💡 Test network cable connection. If the LEDs of the two RJ45 ports light up in sequence, it indicates that the network cable is correctly wired and should be fully operational.



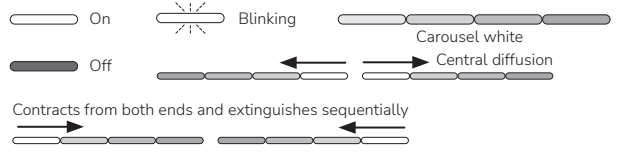
I Installing trim covers



System Commissioning

cables, communication cables and all modules connecting to the system.

I LED Indicators



• DAILY USE

Power On	Description
	Startup
Power Off	Description
	Shutdown
Charge Status	Description
	0-25%
	25-50%
	50-75%
	75-100%
	100%
Discharge Status	Description
	1-10% (Low battery)
	11-24%
	25-49%
	50-74%
	75-100%

• INSTALLATION/COMMISSIONING

Over-the-air Updates / Self-Check Status	Description
	Over-the-air update or self-check ongoing.
Wi-Fi Setup Status	Description
	Wi-Fi pairing ongoing

• ABNORMAL/FAULT

Faulty Status	Description
	Electrical connection fault detected
	Communication fault detected
	Battery fault detected
	Converter fault detected

I Checking before Power-On

Check Item	Acceptance criteria
Equipments	Equipments are installed correctly and securely.
Cables routing	Cables are routed properly as required by the customer.
Cable tie	Cable ties are evenly distributed and no burr exists.
Grounding	The PE cables are connected correctly, securely, and reliably.
Switch	All the switches connecting to the system are OFF.
Cable connection	The AC/DC power cable, battery cable, and communication cable are connected correctly, securely, and reliably.
Unused terminal and port	Unused terminals and ports are locked by watertight covers.
Installation environment	The installation space is proper, and the installation environment is clean and tidy.

I System Power-On

• PROCEDURE (PV MODULE CONFIGURED)

- (Optional) Set the BATTERY SWITCH to ON position.
- Set the PV SWITCH to ON position.
- Turn on the AC switch between the inverter and the power grid.
- Observe the LED to check the operating status.

• PROCEDURE (NO PV MODULE CONFIGURED)

- (Optional) Set the BATTERY SWITCH to ON position.
- Set the PV SWITCH to ON position.
- Turn on the AC switch between the inverter and the power grid.
- After commissioning, press and hold for three seconds the BATTERY ON/OFF button.
- Observe the LED to check the operating status.

I System Power-Off

Before installing, operating, and maintaining the equipment, always disconnect it from all power.



WARNING

- After the system powers off, the remaining electricity and heat may still cause electric shocks and body burns. Therefore, put on protective gloves and begin operating the equipment five minutes after the power-off.
- Send a shutdown command on the app.
 - Turn off the AC switch between the inverter and the power grid.
 - Set the PV SWITCH to OFF position.
 - (Optional) Secure the PV SWITCH with a lock to prevent accidental startup. The lock is prepared by the customer.
 - (Optional) Set the BATTERY SWITCH to OFF position.
 - (Optional) Secure the BATTERY SWITCH with a lock to prevent accidental startup. The lock is prepared by the customer.
 - Press and hold the BATTERY ON/OFF button for 10 seconds, until the indicator is off.
 - Sequentially disconnect GRID cables, PV input cables, battery

I Monitoring VIA EcoFlow APP

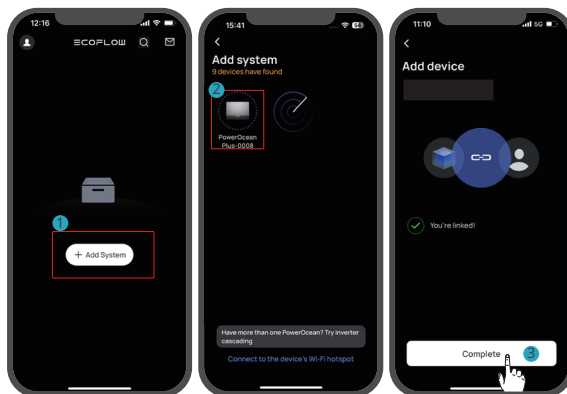
The EcoFlow App can establish communication connection to the inverter via the WLAN, providing remote monitoring, data logging and near-end maintenance on the inverter. Users can also view inverter information and set parameters through the App.

DOWNLOAD AND INSTALL ECOFLOW PRO APP (FOR INSTALLER ONLY)

Scan the QR code or download at: <https://download.ecoflow.com/ecoflowproapp>

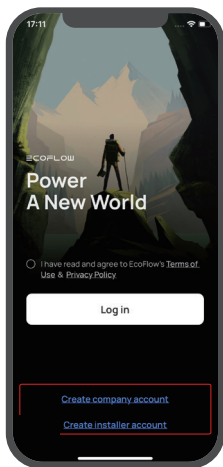


Tap Add System to automatically search for bluetooth devices nearby, tap EcoFlow Ocean 2 to connect, and then tap Complete to proceed.



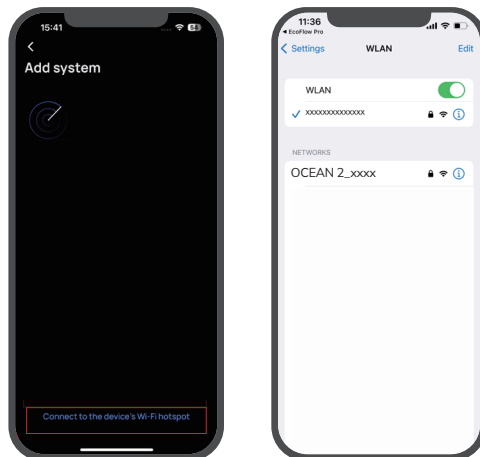
CREATE ACCOUNT

Create your company or installer account



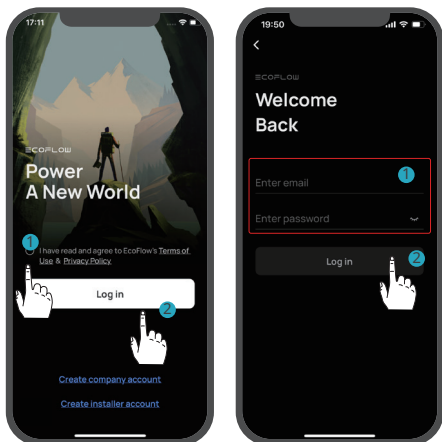
•Via Wi-Fi

1. Tap Add System, and tap Connect to the device's Wi-Fi hotspot to access to your phone's Wi-Fi settings.
2. Tap "EcoFlow Ocean 2" and enter the password for the Wi-Fi. The password is the last 8 digits of the serial number of the inverter, found in the product nameplate.



LOG IN

Enter the installer account and password.



COMMISSIONING

After bound device successfully, the device enters the four-step commissioning process.

Step 1: Internet Setup

Tap Internet Setup to start the network configuration.

• Wi-Fi

Select WiFi select the appropriate network and enter the password.

• Ethernet

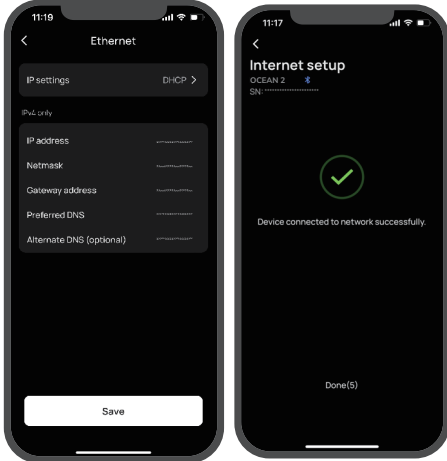
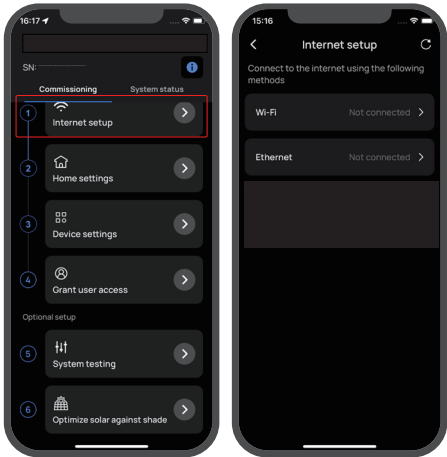
Connect the system to a router using a network cable in the DHCP or Static mode.

- In the default DHCP mode, the device obtains IP address automatically (recommended).
- In the Static mode, network administrator (homeowner) should set a valid IP address to the device. To avoid IP address conflict, check the IP addresses of other devices on the network by accessing router's settings.

ADD SYSTEM

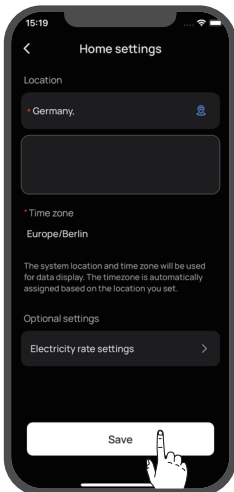
You can connect to the system via Bluetooth or Wi-Fi.

•Via Bluetooth



Step 2: Home Setting

Tap **Home Setting** to enter the corresponding house address and set the electricity rate if needed.



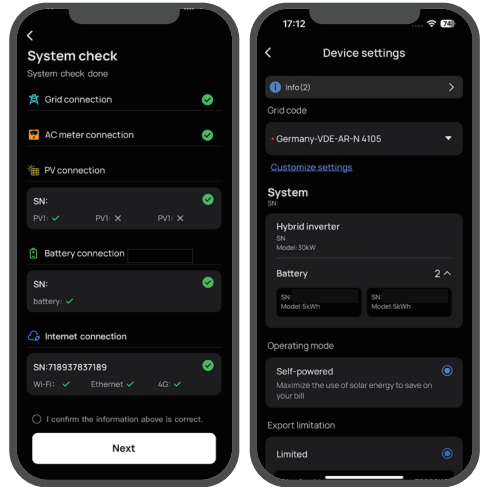
Step 3: Device Setting

Tap **Device Setting** to verify that the devices in the device list match the connected devices.

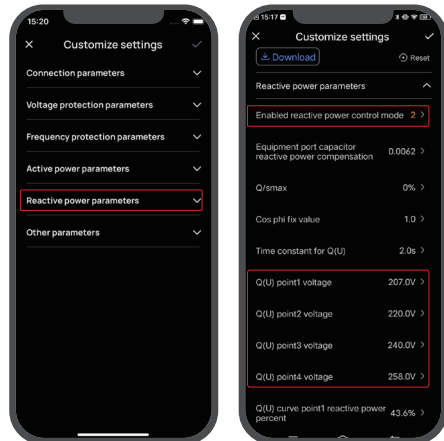
- Perform system check to confirm connection (during the initial commissioning)
- Update firmware (recommended)
- Set the grid code, system work mode, feed-in power limitation, etc.
- Set connection parameters, voltage protection parameters, etc. in **Customize Settings**.



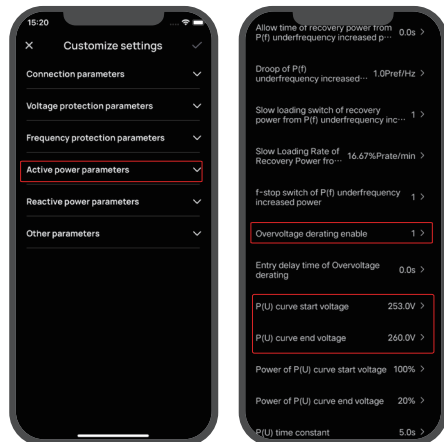
Follow local regulations if you need to change any of these parameters, and contact your local power organization first.



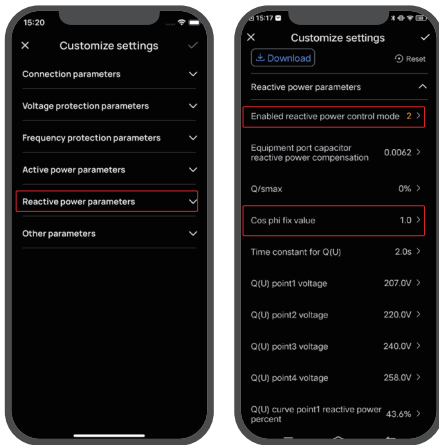
- Set power quality response modes: Volt-var.



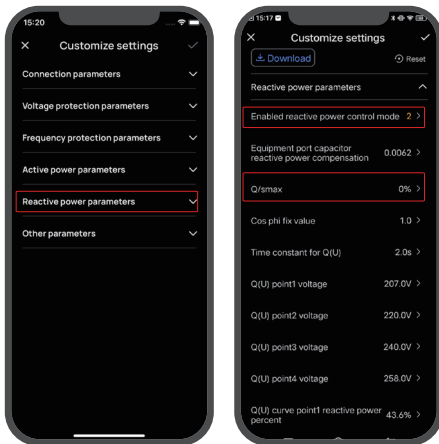
- Set power quality response modes: Volt-watt



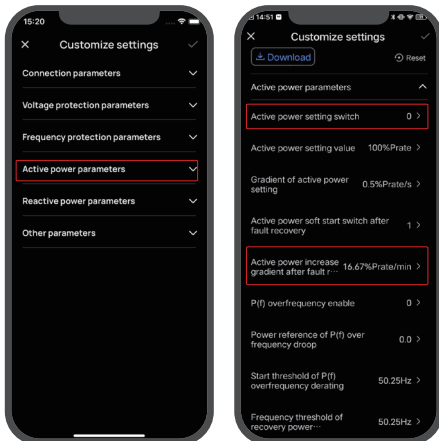
- Set fixed power factor.



- Set reactive power mode.

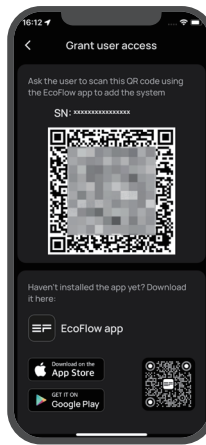


- Set power rate limit.



Step 4: Grant User Access

Tap **Grant User Access** to generate an access QR code for the home owner to bind the system after the home owner adds the device in the EcoFlow app.



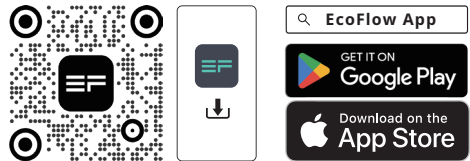
Step 5: Optional Setup

- System testing for on-grid or off-grid feature and DL active scheduling.
- Optimize solar against shade.

I Help Home Owner for App Initial Setup

1. Download and install EcoFlow App

Scan the QR code or download at:
<https://download.ecoflow.com/app>



2. Create new account and log in.

3. Add device manually or use Bluetooth.

4. Scan user grant QR code

Home owner scans the system QR code displayed on the installer's phone to bind the device.

System Maintenance & Replacement

⚠ WARNING

- Before any maintenance or replacement, turn off all switches of the inverter and the battery junction box and disconnect all power sources.
- Wear proper PPE before any operations.
- Place temporary warning signs or set up barriers to prevent unauthorized access to the maintenance area.

I Routine Maintenance

To ensure the long-term operating of the equipment, you are advised to perform routine maintenance according to this section.

Check Item	Check Method	Power off or not	Maintenance Cycle
------------	--------------	------------------	-------------------

System cleanliness	<ul style="list-style-type: none"> Periodically check that the heat sinks are free of dust and obstructions, and ensure proper ventilation and heat dissipation for the equipment. Clean the equipment surface with a dry, soft cloth if there is dust or dirt. Do not use liquids, abrasive materials, or hard objects for cleaning. 	Yes	Once every 6 months
System running status	<ul style="list-style-type: none"> Check that the equipment is not damaged or deformed. Check that the equipment operates with no abnormal sound. Check that all equipment parameters are correctly set during operation. Check for abnormal noise from the fan during operation and ensure that there are no objects obstructing the fan. If foreign objects are found, remove them. 	No	
Electrical connection	Check that all cables are properly secured and undamaged.	Yes	Check once every 6 months after creating new systems and once every 6 to 12 months thereafter
Grounding reliability	Check that ground cables are securely connected.	Yes	
Seal ability	Check that all unused terminals and ports are properly sealed with waterproof covers as supplied.	Yes	

I Troubleshooting

WARNING

The equipment should only be powered on after all issues have been resolved. Otherwise, the faults may worsen or the equipment could be damaged.

For installers, to troubleshoot the system:

1. Open the EcoFlow Pro app and log in.
2. Check the error code and follow the instructions provided in the app.
3. Fully power off the system. See the System Power-Off section for guidance.
4. Follow the app instructions to resolve the issue. If the problem persists, contact your dealer.

For home owners, to troubleshoot the system:

1. Open the EcoFlow app and log in.
2. Check the most common FAQs or contact customer support via Settings > Help & Feedback.
3. If the issue persists, contact EcoFlow technical support for further assistance.

I Inverter Storage

- Do not unpack the equipment if you do not intend to use the equipment immediately.
- Keep the storage temperature at -30°C to 60°C and the humidity at 0%–100% RH.
- Store the product in a clean, dry place, and protect it from dust and moisture-related corrosion.
- Do not stack the inverters to avoid personal injury or equipment

damage.

- Do not place this product near water, fire or other heat sources, such as heaters, direct sunlight, gas ovens, etc..
- During the storage period, check the equipment periodically.
- If the equipment has been stored for over 6 months, it must be inspected and tested by professionals before use.



For details about battery maintenance, see EcoFlow Power-Ocean LFP Battery User Manual.

I Battery Storage and Recharge

• BATTERY STORAGE

- During storage, place batteries according to the orientation markings on the packing case. Do not place batteries upside down or on their sides.
- Stack battery packing cases in accordance with the stacking requirements indicated on the outer packaging.
- Handle batteries with caution to avoid damage.
- The storage environment requirements are as follows:
 - Ambient temperature: -20°C - 55°C ; recommended storage temperature: 0°C - 35°C
 - Relative humidity: 5% to 80%
 - Place batteries in a dry and clean place with good ventilation.
 - Place batteries in a place that is away from corrosive organic solvents and gases.
 - Keep batteries away from direct sunlight.
 - Keep batteries at least 3 meters away from heat sources and vibration source.
- Disconnect the batteries from all external devices during storage. Ensure that all indicators on the battery junction box are off.
- If a battery is dropped and shows obvious deformation, leakage, or damage without abnormal odor, smoke, or fire, contact qualified professionals to transfer the battery to an open and safe area, or contact a certified recycling company for proper disposal.
- If the battery is not used for a long period of time, store it intact in a semi-charged state (60% SOC). The battery is recommended to be discharged to 30% and then recharged to 60% every three months.

• BATTERY RECHARGE

WARNING

Battery recharge operations should be carried out by EcoFlow only. Please contact the EcoFlow technical support team for battery recharge service.

- If the power level of the battery is lower than 1% after use, recharge it to 30%-60% before storage. If the battery has been idle for a long time when the power is seriously insufficient, it will cause irreversible damage to the cells and shorten the service life of the battery.
- If the battery has been idle for a long time and the power level is severely low, it will enter a deep sleep protection mode. In such a case, recharge the battery before using it again.

I Replacement

WARNING

- Only professionals with appropriate qualifications are allowed to perform the replacement activities.
- Wear proper PPE before any operations.

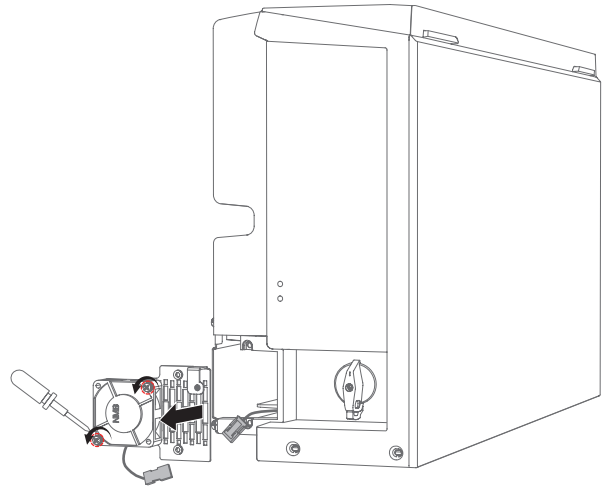
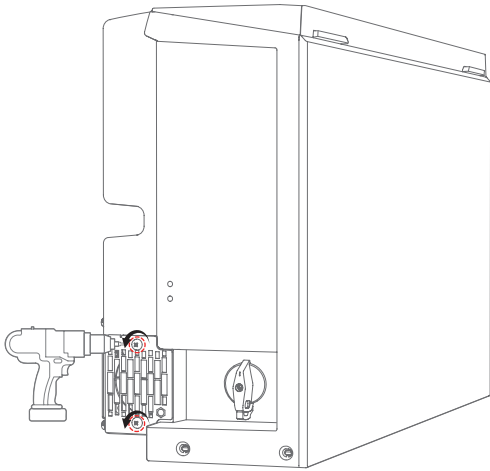
• REPLACING THE INVERTER FAN

NOTICE

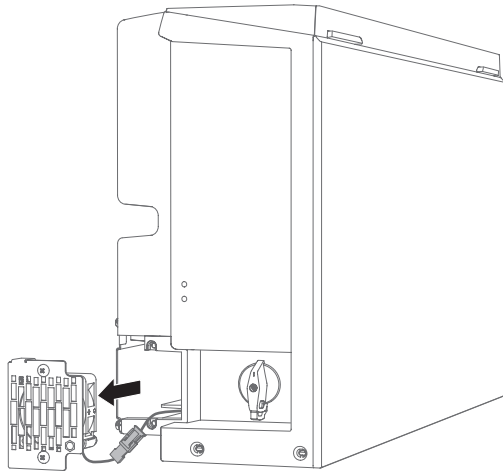
You can only replace the whole fan module instead of the individual fan.

To remove the inverter fan:

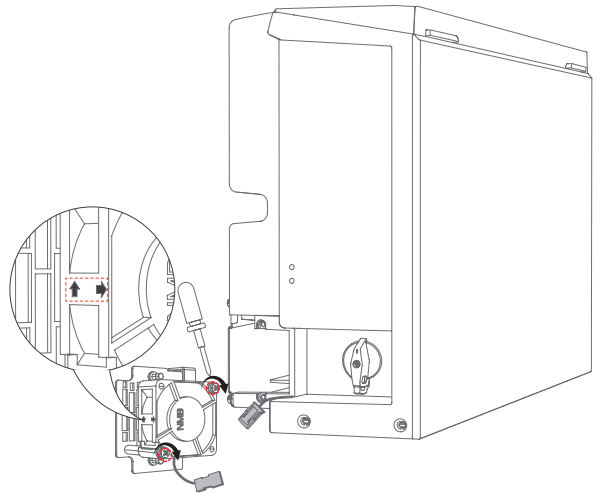
1. Loosen the screws using a Phillips screwdriver.



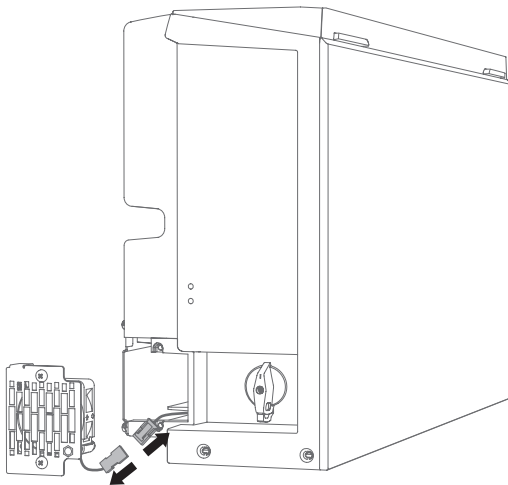
2. Remove the fan-equipped exhaust shutter.



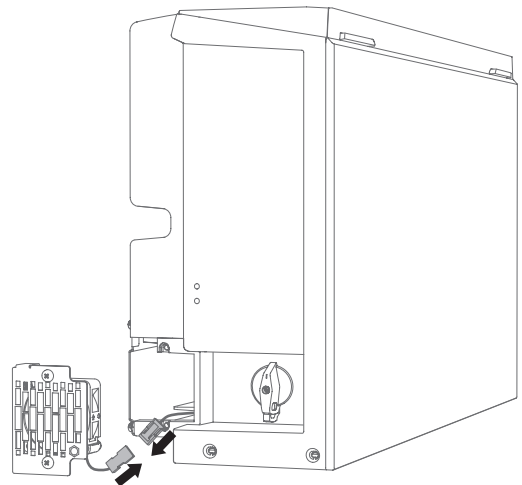
1. Prepare a new fan and install it on the inverter. To install a new fan: Secure the new fan to the exhaust shutter.



3. Disconnect the cable.

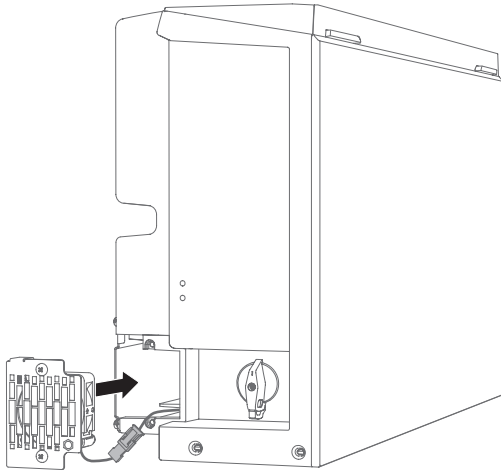


2. Connect the cable.

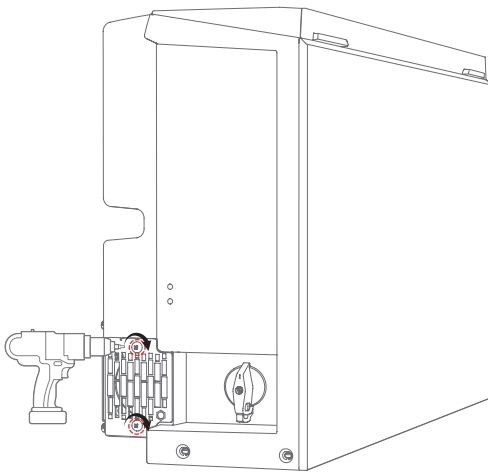


4. Unscrew to remove the fan module.

3. Align the locating pins and place the fan module into the fan position.

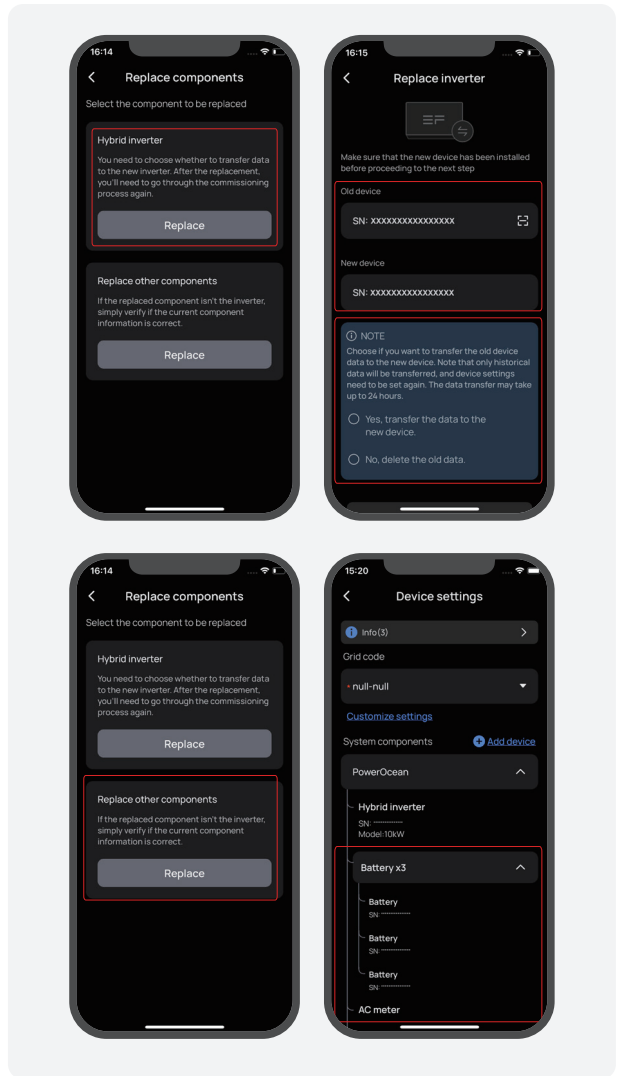


4. Secure the exhaust shutter.



• **REPLACE THE INVERTER:**

1. Power off the entire system. Refer to the [System Power-Off](#) section.
2. Sequentially disconnect GRID cables, PV input cables, battery cables, communication cables and all modules connecting to the inverter.
3. Remove the inverter or other components from the mounting bracket.
4. Install a new inverter and new components. For example, if you upgrade the inverter of different model, the battery junction box and WIFI module might be different. Refer to the new inverter's Installation Guide.
5. Power on the system and perform system commissioning. Refer to the Installation Guide delivered with the new inverter.
6. Transfer the device data to the new inverter or delete the previous data **Settings > Replace components** in the EcoFlow Pro app.



I Decommissioning

⚠ CAUTION

Before removing an inverter, ensure that it is powered off. Refer to the [System Power-Off](#) section.

1. Sequentially disconnect GRID cables, PV input cables, battery cables, communication cables and all other modules connected to the inverter.
2. Remove the inverter or other components from the mounting bracket.
3. Remove the mounting bracket.
4. Pack and store the inverter properly.

The battery module complies with the requirements of the German Battery Act (BattG). Dispose of used or defective batteries in accordance with applicable local regulations.

Appendix

Important Information about Inverter Cascading

⚠ WARNING

- Turn off the grid power and press EPO (if any) before

cascading inverters.

- Flip the circuit breakers of loads to the OFF position, otherwise the wiring self-check might be faulty.
- Ensure the firmware version is up to date before performing cascading.

NOTICE

- Only cascading of inverters of the same model is supported.
- Cascading different Ocean 2 products is not supported.

Check whether the cascading installation is completed according to the following items.







Check Item	Note
Power cable connection	Refer to " Wiring Diagram ". Connect NS protection before wiring to the utility grid according to local regulation.
Communication	Use the inverter cascading cable to connect 2 PAR ports of inverters, and plug the remaining 2 PAR ports with termination resistors. Refer to " Communication Between Cascaded Inverters ".
Metering	Connect an EcoFlow smart meter for partial backup scenario. Refer to (Optional) Energy Metering Installation for Partial Backup System .
Connecting to Internet	An EcoFlow OCEAN 2 dongle is required for a single inverter or each of cascaded inverters. Refer to Connecting to the Internet .
System commissioning	Perform system commissioning and wiring check in the EcoFlow Pro app in the following step. Otherwise, the system may be damaged. Before commissioning, make sure all loads are disconnected. <ol style="list-style-type: none"> 1. Go to Home settings > Device settings to perform system check (for each inverter). 2. Turn on the load-side circuit breaker of the secondary inverter. 3. Tap Add device > Inverter cascading setup, and tap Next for wiring check (for inverter cascading). 4. Go to Home settings > Device settings to perform system check AGAIN (for each inverter). 5. After setup, reset EPO, tap Refresh in the app, and turn on the load-side circuit breaker of backup loads. The inverter indicator will turn white.

Haftungsausschluss


Diesem Produkt liegen die wichtigsten gedruckten Dokumente, die für die Einrichtung und den grundlegenden Betrieb erforderlich sind, bei. Ausführliche Handbücher, Ressourcen und die aktuellsten Informationen zu diesem Produkt finden Sie unter <http://energy.ecoflow.com/eu/documentation/>. Lesen Sie die Produktdokumentation vor der Verwendung vollständig durch und machen Sie sich mit ihr vertraut. Unsachgemäße Verwendung kann zu schweren Verletzungen, Schäden oder Sachverlusten führen. Durch die Verwendung dieses Produkts erklären Sie sich mit allen in der Produktdokumentation aufgeführten Bedingungen einverstanden und akzeptieren diese. EcoFlow haftet nicht für Verluste, Schäden oder Verletzungen, die durch Missbrauch oder Nichtbeachtung verursacht werden.

Sicherheitshinweise

I Bedeutung der Symbole

Symbol	Beschreibung
 GEFAHR	Hinweis auf eine Gefährdung mit hohem Risiko, die Tod oder schwere Körperverletzung zur Folge haben wird, wenn sie nicht vermieden wird.
 VORSICHT	Hinweis auf Gefahr eines elektrischen Schlags.
 WARNUNG	Hinweis auf eine Gefährdung mit mittlerem Risiko, die Tod oder schwere Körperverletzung zur Folge haben kann, wenn sie nicht vermieden wird.
 VORSICHT	Hinweis auf eine Gefährdung mit geringem Risiko, die - wenn sie nicht vermieden wird - leichte oder mittelschwere Verletzungen zur Folge haben kann.
 HINWEIS	Hinweis auf eine möglicherweise gefährliche Situation, die - wenn sie nicht vermieden wird - zu Schäden am Gerät, Datenverlust, Leistungsabfall oder unerwarteten Ergebnissen führen kann. HINWEIS wird verwendet, um auf Praktiken hinzuweisen, die nicht mit Personenschäden in Zusammenhang stehen.
	Weist auf zusätzliche Informationen hin, die das Verständnis für das Produkt oder ein Thema fördern.

II Sicherheitssymbole

Symbol	Bezeichnung	Bedeutung
	VORSICHT	Vorsicht! Gefahr!
	Stromschlagwarnung	Vorsicht! Gefahr durch elektrischen Schlag!
	Verzögerte Entladung	Lebensgefahr durch Hochspannung im Wechselrichter! Wartezeit von 5 Minuten einhalten. In den aktiven Komponenten des Wechselrichters liegen Hochspannungen an, die tödliche Stromschläge verursachen können. Vor Arbeiten am Wechselrichter gemäß dieser Anleitung von allen Spannungsquellen trennen.
	Verbrennungsgefahr	Laufendes Gerät nicht berühren, da das Gehäuse während des Betriebs heiß wird.
	Siehe Dokumentation	Hinweis: Bedienpersonal soll die mit dem Gerät gelieferten Dokumente beachten.
	Erdung	Kennzeichnet die Anschlussstelle für den Schutzleiter (PE).
	Symbol durchgestrichene Mülltonne	WEEE-Kennzeichnung Nicht zusammen mit dem Hausmüll entsorgen, sondern gemäß den am Aufstellungsort geltenden Entsorgungsvorschriften für Elektro- und Elektronikgeräte.
	CE-Kennzeichnung	Das Produkt erfüllt die Anforderungen der geltenden EU-Richtlinien.

III Wichtige Sicherheitshinweise

• ALLGEMEINE ANFORDERUNGEN

GEFAHR

- Achten Sie darauf, dass das Gerät bei der Installation nicht eingeschaltet ist.
- Vor Installation, Betrieb und Wartung des Geräts die Installationsanleitung und die Sicherheitshinweise lesen und befolgen.
- Personal, das EcoFlow-Geräte installieren oder warten soll, muss eine gründliche Schulung erhalten, alle erforderlichen Sicherheitsvorkehrungen verstehen und alle Arbeiten korrekt ausführen können.
- Installation, Betrieb und Wartung müssen von geschultem und qualifiziertem Personal durchgeführt werden, das alle Sicherheitsvorkehrungen versteht, alle Arbeiten korrekt ausführen kann und alle gesetzlich vorgeschriebenen nationalen Qualifikationen für Sonderarbeiten besitzt, wie z.B. Hochspannungsarbeiten, Arbeiten in Höhen und den Betrieb von Sondergeräten.
- Vor Installation, Betrieb und Wartung des Geräts stets von allen Stromquellen trennen.
- Vor allen Arbeiten geeignete PSA (persönliche Schutzausrüstung) tragen.

WARNUNG

Wenn die Photovoltaikanlage Licht ausgesetzt wird, liefert sie Gleichspannung an den Wandler.

VORSICHT

Das Produkt darf nur mit PV-Modulen der Schutzklasse II gemäß IEC 61730, Anwendungsklasse A, betrieben werden. Die PV-Module müssen mit diesem Produkt kompatibel sein. Bitte erden Sie nicht das positive/negative Loch des PV-Strings.

- Wenn das Netzkabel dieses Geräts beschädigt ist, muss es durch den Hersteller, den Kundendienst oder eine qualifizierte Person ersetzt werden, um Sicherheitsrisiken zu vermeiden.
- Freiliegendes Kabel nicht mit den Händen berühren.
- Vergewissern Sie sich, dass die Kabel, Stecker und Anschlüsse trocken sind, bevor Sie das Gerät in Betrieb nehmen. Vergewissern Sie sich, dass die genannten Komponenten sicher angeschlossen sind.
- Installieren, verwenden oder betreiben Sie für den Außenbereich gedachte Geräte und Kabel nicht bei widrigen Wetterbedingungen wie Blitzschlag, Regen, Schnee und Windstärke 6 oder stärker.
- Ziehen Sie die Schrauben beim Einbau des Geräts mithilfe von Werkzeugen mit dem angegebenen Drehmoment an.
- Entfernen Sie nach der Installation des Geräts die Überreste aus dem Arbeitsbereich, wie z. B. Kartons, Schaumstoff, Kunststoff, Kabelbinder, abisolierte Materialien usw.
- Alle Warn- und Typenschilder am Gerät sollten nach Abschluss der Installation sichtbar sein. Überschreiben, beschädigen oder verdecken Sie keine Warnhinweise auf dem Gerät.
- Machen Sie sich mit den Komponenten und der Funktionsweise einer netzgekoppelten PV-Anlage vertraut, und beachten Sie die geltenden örtlichen Normen.
- Öffnen Sie das Bedienfeld des Geräts nicht ohne Erlaubnis. Sie dürfen die Gerätesoftware nicht zurückentwickeln, dekompileieren, disassemblieren, anpassen, durch Code ergänzen oder auf andere Weise verändern. Auch sonstige Änderungen, die gegen die ursprünglichen Konstruktionspezifikationen der Hardware und Software des Geräts verstoßen, sind unzulässig.
- Wenn bei Arbeiten am Gerät die Gefahr von Personen- oder Sachschäden besteht, sind die Arbeiten sofort einzustellen und geeignete Schutzmaßnahmen zu ergreifen.
- Eingeschaltetes Gerät nicht berühren, da das Gehäuse heiß ist.
- Bevor Sie PV-Module installieren, lesen Sie bitte das Benutzerhandbuch sorgfältig durch.
- The system is not suitable for power supplying life-sustaining medical devices. It cannot guarantee backup power in all circumstances.
- Schließen Sie keine Verbraucher zwischen dem Wechselrichter und dem direkt mit dem Wechselrichter verbundenen AC-Schalter an.

• ELEKTRISCHE SICHERHEIT

Erdung

- Bei Geräten, die geerdet werden müssen, ist zuerst das Erdungskabel zu installieren. Wird das Gerät entfernt, ist das Erdungskabel zuletzt zu trennen.
- Boden Sie das PE-Loch des GRID-Steckers, des BACKUP-Steckers und des Gerätegehäuses.
- Der Schutzleiter darf nicht beschädigt werden.
- Betreiben Sie das Gerät nicht, wenn kein ordnungsgemäß installierter Schutzleiter vorhanden ist.
- Stellen Sie sicher, dass das Gerät dauerhaft mit der Schutzterde verbunden ist. Prüfen Sie vor der Inbetriebnahme des Geräts, ob der elektrische Anschluss sicher geerdet ist.

Allgemeine Anforderungen

GEFAHR

Vergewissern Sie sich vor dem Anschließen der Kabel, dass das Gerät intakt ist. Andernfalls kann ein Stromschlag oder Feuer ausgelöst werden.

- Vergewissern Sie sich, dass alle elektrischen Anschlüsse den örtlichen elektrischen Standards entsprechen.
- Holen Sie die Genehmigung des örtlichen Stromversorgungsunternehmens ein, bevor Sie das Gerät an das Stromnetz anschließen.
- Vergewissern Sie sich, dass die vom Installateur vorbereiteten Kabel den örtlichen Vorschriften entsprechen.
- Verwenden Sie bei der Durchführung von Arbeiten unter Hochspannung speziell isolierte Werkzeuge.
- Überprüfen Sie vor dem Anschließen eines Netzkabels, ob das Etikett auf dem Netzkabel korrekt ist. Beachten Sie bei der Konfektionierung von Kabeln

und der Installation von Steckern vor Ort die entsprechenden Anweisungen in diesem Handbuch sowie die Anforderungen der örtlichen Gesetze und Vorschriften.

6. Unterbrechen Sie vor der Inbetriebnahme des Geräts die Stromzufuhr, und warten Sie die Dauer der Entladeverzögerung ab, um sicherzustellen, dass sich das Gerät vollständig entladen hat und stromlos ist..

Verkabelung

1. Die Verkabelung muss vom Kühlsystem und sich erwärmenden Teilen entfernt verlegt werden.
2. Achten Sie bei der Verlegung von Kabeln darauf, dass ein Abstand von mindestens 30 mm zwischen den Kabeln und wärmeerzeugenden Bauteilen oder Bereichen eingehalten wird. Dadurch wird eine Beschädigung der Isolierschicht der Kabel verhindert.
3. Binden Sie Kabel desselben Typs zusammen. Achten Sie bei der Verlegung von Kabeln unterschiedlichen Typs darauf, dass sie mindestens 30 mm Abstand zueinander haben. Eine Verschränkung oder Verlegung über Kreuz ist nicht zulässig.
4. Stellen Sie sicher, dass die in einer netzgekoppelten PV-Anlage verwendeten Kabel ordnungsgemäß angeschlossen und isoliert sind und den Spezifikationen entsprechen.

• ANFORDERUNGEN AN DIE INSTALLATIONSUMGEBUNG

1. Stellen Sie sicher, dass das Gerät in einer gut belüfteten Umgebung installiert wird.
2. Um Brände durch hohe Temperaturen zu vermeiden, stellen Sie sicher, dass die Lüftungsöffnungen oder das Wärmeabgabesystem nicht blockiert sind, wenn das Gerät in Betrieb ist.
3. Setzen Sie das Gerät keinen brennbaren oder explosiven Gasen oder Rauch aus. Führen Sie in solchen Umgebungen keine Arbeiten am Gerät durch.
4. Platzieren Sie das Gerät nicht in der Nähe einer Wärme-, Feuer- oder Wasserquelle, und führen Sie keine Arbeiten am Gerät in der Nähe dieser Quellen durch.

• ANFORDERUNGEN AN DIE SICHERHEIT VON AUSRÜSTUNG UND BEDIENERN

Den Wechselrichter und Akku bewegen

1. Wenn Sie die Geräte von Hand bewegen, tragen Sie Schutzhandschuhe, um Verletzungen zu vermeiden.
2. Bewegen Sie das Gerät vorsichtig, da es schwer ist. Zwei oder mehr Personen sind zum Bewegen des Geräts erforderlich.
3. Achten Sie immer auf das Gewicht des Wechselrichters und des Akkus.
4. Vermeiden Sie das Herunterfallen des Wechselrichters oder Akkus sowie mechanische Stöße.
5. Setzen Sie den Wechselrichter oder Akku nicht direkt auf eine harte Oberfläche. Legen Sie schützende Materialien wie ein Schwammkissen oder Schaumkissen darunter, um Schäden an der Metallumschlagung zu vermeiden.
6. Heben Sie den Wechselrichter und den Akku an beiden Seiten oder an den Griffen. Halten Sie die Anschlüsse nicht direkt. Legen Sie schützende Materialien wie ein Schwammkissen oder Schaumkissen unter die Anschlüsse, um Schäden zu vermeiden.
7. Bewegen und installieren Sie den Akku in aufrechter Position. Setzen Sie den Akku nicht auf den Kopf oder kippen Sie ihn.
8. Lassen Sie den Akku oder Wechselrichter erst los, wenn er sicher und stabil platziert ist..

Bohren von Löchern

1. Tragen Sie beim Bohren von Löchern eine Schutzbrille und Schutzhandschuhe.
2. Schützen Sie das Gerät beim Bohren von Löchern vor Spänen und Staub. Entfernen Sie Späne und Staub während des Bohrens sofort, damit das Bohrloch nicht verstopft wird..

• ÜBERWACHUNG DES ERDUNGSLEITERS

1. Der Wechselrichter ist mit einer Schutzleiterüberwachungseinrichtung ausgestattet. Dieses Schutzleiterüberwachungsgerät erkennt, wenn kein Schutzleiter angeschlossen ist, und trennt den Wechselrichter in diesem Fall vom Stromnetz. Je nach Montageort und Netzkonfiguration kann es ratsam sein, die Schutzleiterüberwachung zu deaktivieren. Dies kann notwendig sein, wenn kein Neutralleiter vorhanden ist und Sie den Wechselrichter zwischen zwei Netzleitern installieren möchten.
2. Je nach Netzkonfiguration muss die Schutzleiterüberwachung nach der ersten Inbetriebnahme deaktiviert werden. Sicherheit nach IEC 62109, wenn die Schutzleiterüberwachung deaktiviert ist. Um die Sicherheit gemäß IEC 62109 bei deaktivierter Schutzleiterüberwachung zu gewährleisten, müssen Sie einen zusätzlichen Schutzleiter an den Wechselrichter anschließen.
3. Schließen Sie einen zusätzlichen Erdungsleiter mit einem Querschnitt von mindestens 10 mm² an. Erden Sie die PE-Bohrung des Netzanschlusses & BACKUP-Anschluss und das Gehäuse.



• ENTSORGUNG

Diese Kennzeichnung bedeutet, dass dieses Produkt innerhalb der EU nicht mit anderem Hausmüll entsorgt werden sollte. Recyceln Sie dieses Produkt ordnungsgemäß, um mögliche Schäden an der Umwelt oder Gesundheitsrisiken für Menschen durch unkontrollierte Abfallentsorgung zu verhindern und die na-

chhaltige Wiederverwendung von Materialressourcen zu fördern. Bitte geben Sie Ihr gebrauchtes Produkt an einen geeigneten Sammelpunkt zurück oder kontaktieren Sie den Händler, bei dem Sie das Produkt gekauft haben. Ihr Händler wird gebrauchte Produkte annehmen und an eine umweltfreundliche Recyclinganlage zurückgeben.

Für Informationen zur Entsorgung von Elektro- und Elektronikgeräten besuchen Sie bitte die folgende Website:

<https://eu.ecoflow.com/pages/electronic-devices-disposal>

• EINSTELLUNG DES BEMESSUNGSFEHLERSTROMS DES FEHLERSTROMSCHUTZSCHALTERS

Es wird empfohlen, FI-Schutzschalter (Typ A) mit einem Nennreststrom zu installieren: 300 mA auf der AC-GRID-Seite und 30 mA auf der AC-BACKUP-Seite. Die Verwendung eines FI-Schutzschalters mit einem niedrigeren Nennreststrom ist jedoch ebenfalls erlaubt, falls dies durch die spezifischen örtlichen Elektrokodex erforderlich ist.

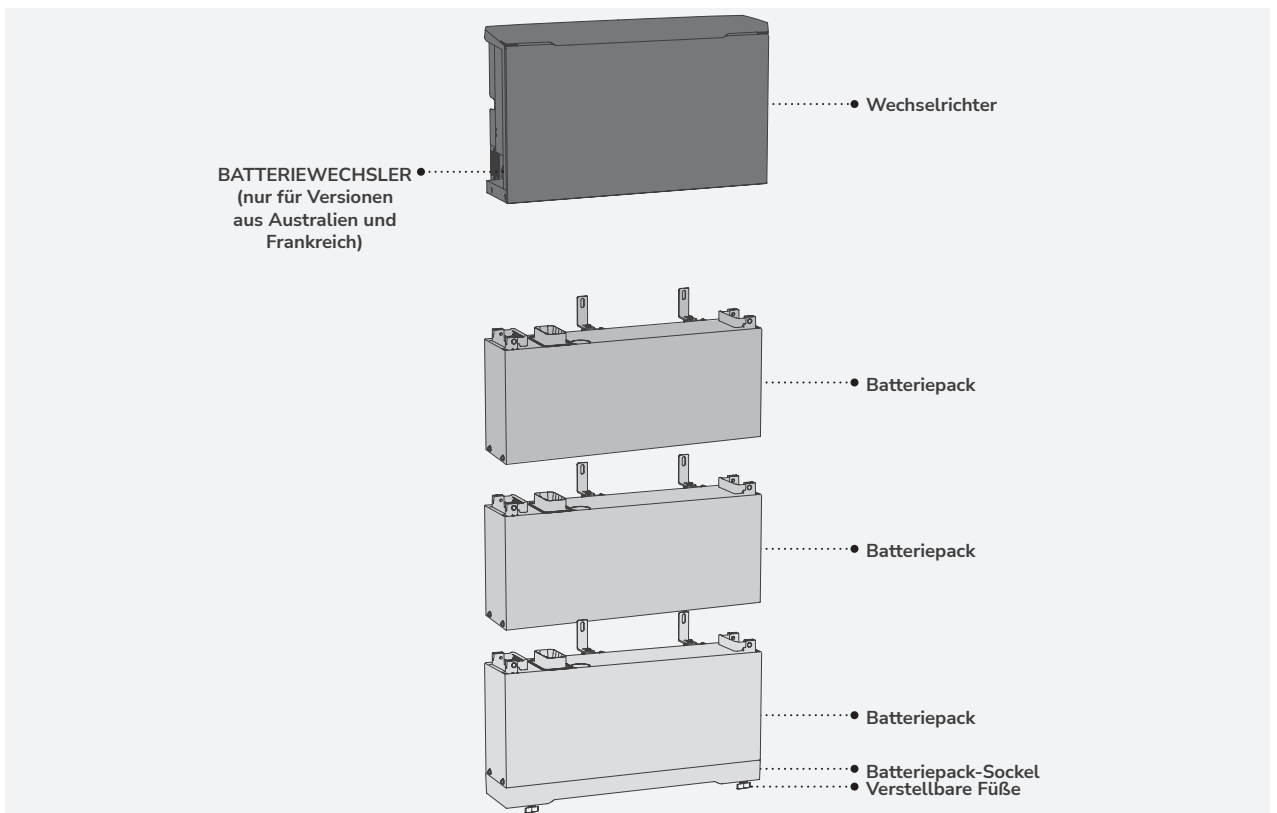
• EMC-SCHUTZKLASSE

Klasse B

Technische Parameter		EF HD-P3-5K0-S2	EF HD-P3-6K0-S2	EF HD-P3-8K0-S2	EF HD-P3-10K0-S2	EF HD-P3-12K0-S2
PV-Eingang	Anzahl der MPP Tracker	3				
	Anzahl der Strings pro MPPT	1				
	Max. Eingangsleistung pro MPPT (W)	8 000				
	Maximale Eingangsspannung ¹ (V)	1 000				
	Eingangsspannungsbereich (V)	50-1 000				
	Nenn-Eingangssgleichspannung (V)	600				
	MPPT Einschaltspannung (V)	120				
	Max. Eingangsleistung (W)	10 000	12 000	16 000	20 000	24 000
	Max. Kurzschlussstrom pro MPPT (A)	16				
Max. Kurzschlussstrom pro MPPT (A)	20					
AC-Eingang / -Ausgang (netzgekoppelt)	Nennausgangsleistung (W)	5 000	6 000	8 000	10 000	12 000
	Max. scheinbare Ausgangsleistung (VA)	5 000	6 600	8 800	11 000	13 200
	Unterstützte Stromnetztypen	TN-S-, TN-C-, TN-C-S-, TT-Systeme				
	Nennspannung (V)	L-L: 380/400Vac; L-N: 220/230Vac; 3L+N+PE				
	Nennfrequenz (Hz)	50/60				
	Nennausgangsstrom (A)	7,2 @ 230V 7,6 @ 220V	8,7 @ 230V 9,1 @ 220V	11,6 @ 230V 12,2 @ 220V	14,5 @ 230V 15,2 @ 220V	17,4 @ 230V 18,2 @ 220V
	Max. Ausgangsstrom (A)	8,9	10,7	14,3	17,8	21,4
	Max. Eingangsstrom (A)	63				
	Leistungsfaktor	-0,8 bis 0,8				
THDi bei Volllast	≤ 3%					
AC-Ausgang (Sicherung)	Nennausgangsleistung (W)	5 000	6 000	8 000	10 000	12 000
	Nennspannung (V)	L-L: 380/400Vac; L-N: 220/230Vac; 3L+N+PE				
	Nennfrequenz (Hz)	50/60				
	Nennausgangsstrom (A)	7,2 @ 230V 7,6 @ 220V	8,7 @ 230V 9,1 @ 220V	11,6 @ 230V 12,2 @ 220V	14,5 @ 230V 15,2 @ 220V	17,4 @ 230V 18,2 @ 220V
	Netzunabhängige THDu	≤ 2%				
Parallel-Installation	Max. Netzkapazität ²	Bis zu 5 kaskadierte Wechselrichter				
	Max. Inselnetzkapazität	Bis zu 2 kaskadierte Wechselrichter				
Batterie-Eingang / -Ausgang	Nennspannung (V)	800				
	Spannungsbereich (V)	720-960				
	Batteriekapazität	Bis zu 12 Batteriemodule (bis zu 6 Batteriemodule pro Turm)				
	Kommunikationsmethode	CAN				
Wirkungsgrad	Max. Wirkungsgrad	97,60%	97,80%			
	Tief-Stromsparmmodus ³ (W)	15				
	Eigenverbrauch (Leichtlast-Szenario) ⁴ (W)	50				
Einhaltung der Vorschriften	Sicherheitsnormen	IEC/EN 62109-1, IEC/EN 62109-2, AS 60947.3, ISO4892-4				
	Netzgebundene Standards	VDE-AR-N 4105, EN 50549-1, EN50549-10, AS/NZS 4777.2, OVE-Richtlinie R, TOR Erzeuger (for Typ A), PTPiREE (Typ A), PPDS, CEI 0-21, G98, G99, G100, G98 NI, G99 NI, TR3.3.1, UNE 217001, UNE 217002, IEC 62116, NTS(Typ A), C10/C11, SI 4777.2				
	EMC&RF	EN 300 328, EN 301 893, EN 301 489-1, EN 301 489-17 V3.3.1, EN IEC 61000-6-1, EN IEC 61000-6-2, EN IEC 61000-6-3, EN IEC 61000-6-4, EN IEC 61000-3-11, EN 61000-3-12, EN 55011, EN 62920, EN IEC 62311, EN 50665				
Schutz	Netzauf-Inselnetz-Umschaltzeit ⁵ (ms)	0				
	Inselnetz-auf-Netz-Umschaltzeit ⁵ (ms)	0				
	Fehlerstromschutzschalter (GFCI)	Ja				
	Lichtbogenerkennung(AFCL)	Ja				
	Not-Aus (EPO)	Ja				
	Erkennung von PV-Isolationswiderständen	Ja				
	PV Verpolungsschutz	Ja				
	AC Überstromschutz	Ja				
	AC-Kurzschlusschutz	Ja				
	AC Überspannungsschutz	Ja				
	DC Überspannungsschutz	Typ II				
AC Überspannungsschutz	Typ II					

Allgemeine Daten	Relative Luftfeuchtigkeit	0-100 %
	Betriebstemperaturbereich (°C)	-20 bis 60
	Lagertemperatur (°C)	-30 bis 60
	Max. Betriebshöhe (m)	3000 m (>2000 m Leistungsreduktion)
	IP Schutzgrad	IP66
	Kommunikationsmethode	RS485, CAN, Wi-Fi, Bluetooth, WAN
	Benutzeroberfläche	LED, EcoFlow app
	Wi-Fi Frequenzbereich (MHz)	2,4GHz: 2 400-2 483,5, 5GHz: 5 150-5 350, 5 470-5 725, 5 725-5 850
	Maximale Ausgangsleistung (dBm)	<20
	Bluetooth Frequenzbereich (MHz)	2 402-2 480,
	Maximale Ausgangsleistung (dBm)	<20
	Gewicht (kg)	Approx. 36,5
	Abmessungen (WxDxH mm)	680x203x406,5
	Umwelt Kategorie	Außen-/Innenbereich
Montage Methode ⁶	Bodenstand/Wandmontage	
Diebstahlschutz	Ja	

1. Die PV-Eingangsspannung darf den angegebenen Maximalwert nicht überschreiten. Eine Überschreitung kann den Systemschutz auslösen oder den normalen Betrieb beeinträchtigen.
2. In grid-connected parallel operation, load-side current is limited by the maximum input current rating of the GRID port.
3. Im Tief-Stromsparmmodus verbraucht der Hybrid-Wechselrichter 15W, und die Lasten beziehen Strom aus dem Netz.
4. 50W stellt den Eigenverbrauch des Systems unter Leichtlastbedingungen (<300W Gesamtlast) in Laborumgebung dar, gemessen für eine Konfiguration bestehend aus einem OCEAN 2 12kW Wechselrichter und zwei EcoFlow OCEAN 2 LFP Batterien 5kWh. In diesem Modus beziehen die Lasten Strom aus der Batterie.
5. Diese Spezifikation bezieht sich auf die Unterbrechungszeit auf der BACKUP-Seite. Diese Funktion ist nur verfügbar, wenn die maximale Systemleistung die Gesamtlast auf der BACKUP-Seite übersteigt und die Netzanschlussvorschriften erfüllt sind. Die Leistung wurde unter stabilen Netzverhältnissen validiert, bei denen ein Netzausfall keinen plötzlichen Spannungsabfall verursacht.
6. Bei Standinstallation werden maximal 6 Batterien unterstützt; bei Wandmontage werden maximal 3 Batterien unterstützt.





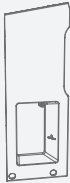

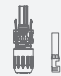
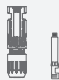



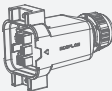
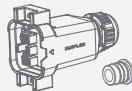









AUSPACKEN UND VORBEREITUNG

I Lieferumfang

HINWEIS

- Prüfen Sie vor dem Auspacken die Außenverpackung auf Beschädigungen wie Löcher und Risse und überprüfen Sie das Gerätemodell. Sollten Sie Beschädigungen feststellen, packen Sie die Verpackung nicht aus und kontaktieren Sie den Lieferanten so schnell wie möglich.
- Überprüfen Sie nach dem Auspacken, ob die Liefergegenstände unbeschädigt und vollständig sind. Sollte ein Artikel fehlen oder beschädigt sein, wenden Sie sich bitte an den Lieferanten.
- Es wird empfohlen, die Originalverpackung für späteren Bedarf aufzubewahren.


• ECOFLOW OCEAN 2 HYBRID-WECHSELRICHTER 3-PHASIG

<p>A1 × 1</p>  <p>EcoFlow OCEAN 2 Hybrid-Wechselrichter 3-phasig</p>		<p>A2 × 1</p>  <p>Obere Verkleidung</p>		<p>A3 × 1</p>  <p>Seitenverkleidung</p>	
<p>A4 × 1</p>  <p>WLAN-Modul (Modell: EF-HD-P3-WIFI-S2)</p>	<p>A5 × 3</p>  <p>PV-Klemme (+)</p>	<p>A5 × 3</p>  <p>PV-Klemme (-)</p>	<p>A6 × 2</p>  <p>Demontage- und Montagewerkzeug</p>	<p>A7 × 1</p>  <p>Kommunikationsanschlüsse (20-polig)</p>	<p>A8 × 1</p>  <p>Kommunikationsanschlüsse (16-polig)</p>
<p>A9 × 1</p>  <p>Netzanschluss</p>	<p>A10 × 1</p>  <p>Backup-Anschluss</p>	<p>A11 × 1</p>  <p>Abhakvorlage</p>	<p>A12 × 1</p>  <p>Dehnschraube (M6*60)</p>	<p>A13 × 3</p>  <p>Erdungsschraube (M5*12)</p>	<p>A14 × 2</p>  <p>OT-Klemme</p>
<p>A15 × 15</p>  <p>Aderendhülse (für Drahtquerschnitt 16 mm²)</p>	<p>A16 × 18</p>  <p>Aderendhülse (für Drahtquerschnitt 0,5 mm²)</p>	<p>A17 × 3</p>  <p>Kommunikationsanschluss</p>	<p>A18 × 1</p>  <p>Montagehalterung</p>	<p>A19 × 1</p> 	

• ECOFLOW OCEAN 2 LFP-BATTERIE 5kWh

<p>B1 × 1</p>  <p>EcoFlow OCEAN 2 LFP-Batterie 5kWh</p>		<p>B2 × 2</p>  <p>Batterie-T-/L-förmiges Befestigungsteil</p>		<p>B3 × 2</p>  <p>Dehnschraube (M6*60)</p>		<p>B4 × 4</p>  <p>Schraube (M5*12)</p>	
---	--	---	--	--	--	--	--

• ECOFLOW OCEAN 2 LFP BATTERIE-SOCKEL

<p>C1 × 1</p> 
--

I Werkzeuge und Instrumente vorbereiten






• WICHTIGE WERKZEUGE

					
Schlagbohrmaschine (mit einem 8-mm-Bohrer)	Elektrischer Schraubendreher	Stecknuss 10 mm	Multimeter (DC-Spannungsmessbereich $\geq 1\,000$ V DC)	Hammer	Schraubendreher (PH3)
					
Kabelschneider	Crimpzange für offene Kontakte (für PV-Anschlüsse)	Abisolierzange	RJ45-Crimpwerkzeug	Vierkant-Crimpwerkzeug (für Aderendhülsen 0,5, 10 oder 16 mm ²)	Schrumpfschlauch
					
Markierstift	Stahlmaßband	Kabelbinder	Durchgangsklemmenblöcke, 6-8 Stück	Heißluftpistole	

• OPTIONALE WERKZEUGE

					
Wasserwaage	Staubsauger	Schutzbrille	Sicherheitsschuhe	Schutzhandschuhe	Staubmaske

• KABEL

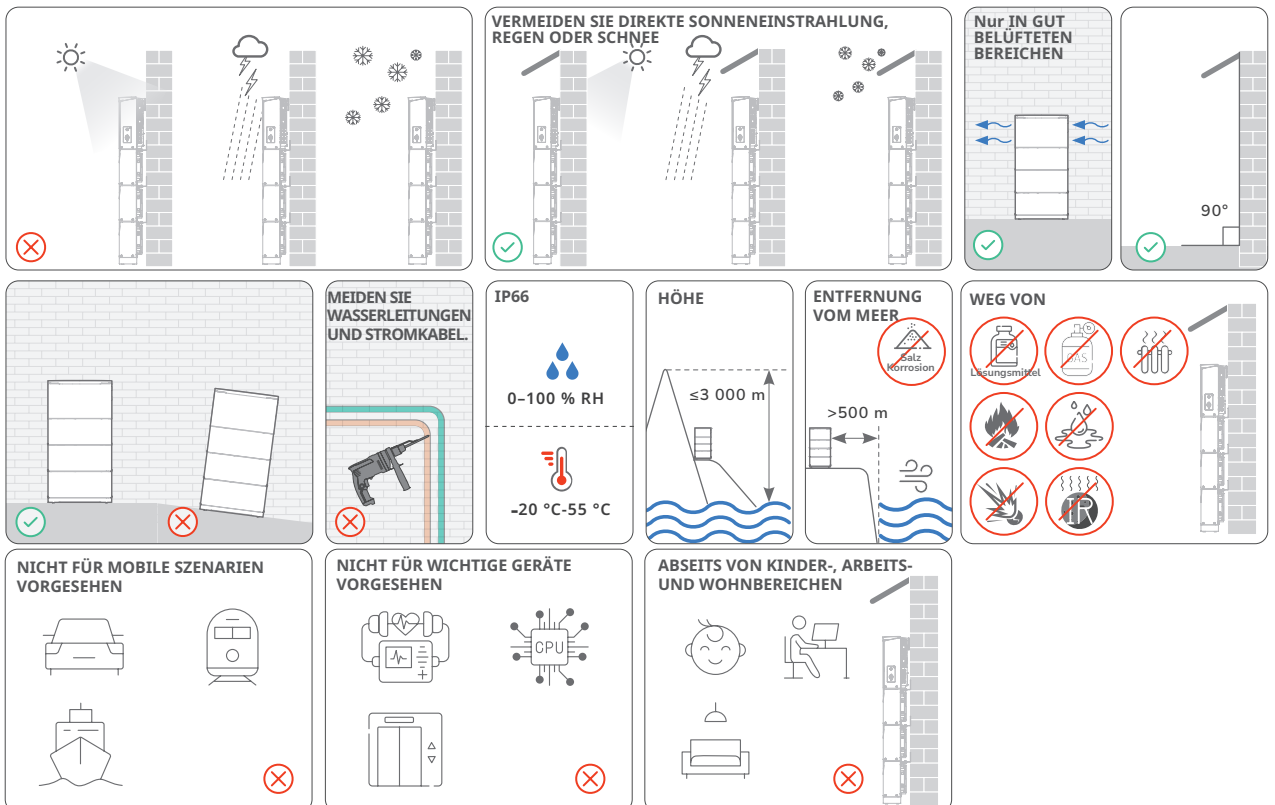
				
16 mm² Erdungskabel (Kupferleiter)	4-6 mm² PV-Eingangskabel (schwarz, rot)	16 mm² UL10269 Stromkabel (schwarz, braun, blau, grau)	Abgeschirmtes Netzkabel der Kategorie 5e oder höher	2*0,5 mm² Twisted-pair-Kabel

I Anforderungen an die Installationsumgebung

⚠️ WARNUNG

HINWEIS

- Die Installation und Betriebsumgebung muss den einschlägigen internationalen, nationalen und lokalen Normen für Lithiumbatterien und den Wechselrichter entsprechen.
- Bei der Installation der Geräte in einer Garage ist darauf zu achten, dass diese nicht in der Nähe der Einfahrt stehen.
- Die Montagekonstruktion, an der das Gerät installiert wird, muss feuerbeständig sein. Installieren Sie das Gerät nicht auf brennbaren Baumaterialien. Geeignete nicht brennbare Materialien sind: Ziegel oder Mauersteine, Beton.
- Das Material darf innerhalb der von der Barriere abzudeckenden Zone keine Entlüftungsöffnungen oder Perforationen aufweisen.
- Stellen Sie sicher, dass die Installation ausreichend stabil ist, um das Gewicht des Geräts zu tragen.
- Geeignete Installation können Garagen, Lagerräume, ein separater Batterie und Veranden sein.
- Das System darf nicht installiert werden:
 - (a) an eingeschränkten Orten, wie sie für Schalttafeln in AS/NZS 3 000 definiert sind;
 - (b) innerhalb von 600 mm von Ausgängen;
 - (c) innerhalb von 600 mm von vertikalen Seitenflächen von Fenstern oder Gebäudelüftungsanlagen, die einen Wohnraum belüften;
 - (d) innerhalb von 600 mm von Warmwasserbereitern, Klimaanlage oder anderen Geräten, die nicht mit dem vormontierten integrierten Batteriespeichersystem (BESS) verbunden sind;
 - (e) innerhalb von 900 mm unterhalb der unter (b), (c) und (d) genannten Elemente;
 - (f) in Deckenhohlräumen;
 - (g) in Wandhohlräumen;
 - (h) auf Dächern, außer wenn dies ausdrücklich als geeignet erachtet wird;
 - (i) unter Treppen;
 - (j) unter Zugangswegen;
 - (k) in Flucht- oder Evakuierungswegen.



I Installations-Freiraumanforderungen

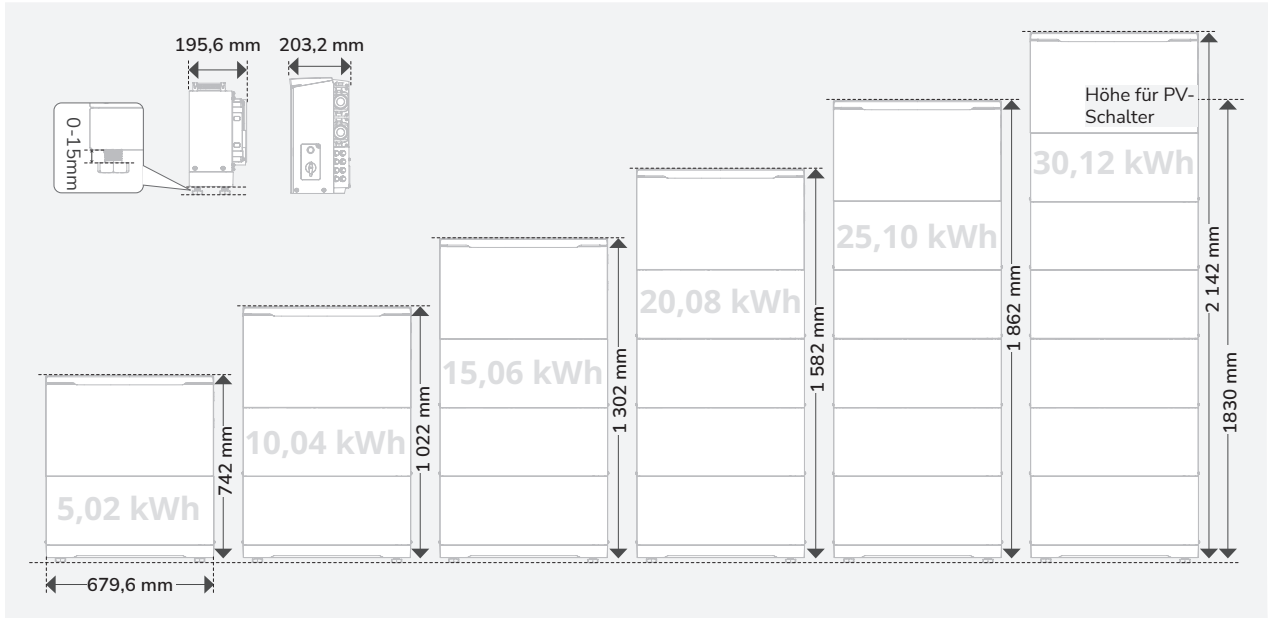
⚠️ WARNUNG

- Um die Geräte herum muss ausreichend Freiraum geschaffen werden, um genügend Platz für Installation und Wärmeableitung zu gewährleisten.
- Um Brände durch hohe Temperaturen zu vermeiden, stellen Sie sicher, dass die Lüftungsöffnungen oder das Wärmeabgabesystem nicht blockiert sind.

HINWEIS

- Stellen Sie sicher, dass auf beiden Seiten der Batterie genügend Platz vorhanden ist, um das Festziehen der Schrauben an der Seite der Batterie zu ermöglichen.
- Bei in Korridoren, Fluren oder Lobbys installierten Batteriesystemen muss ein ausreichender Abstand zum Batterie für einen sicheren Ausgang gewährleistet sein, der mindestens 1 m beträgt.

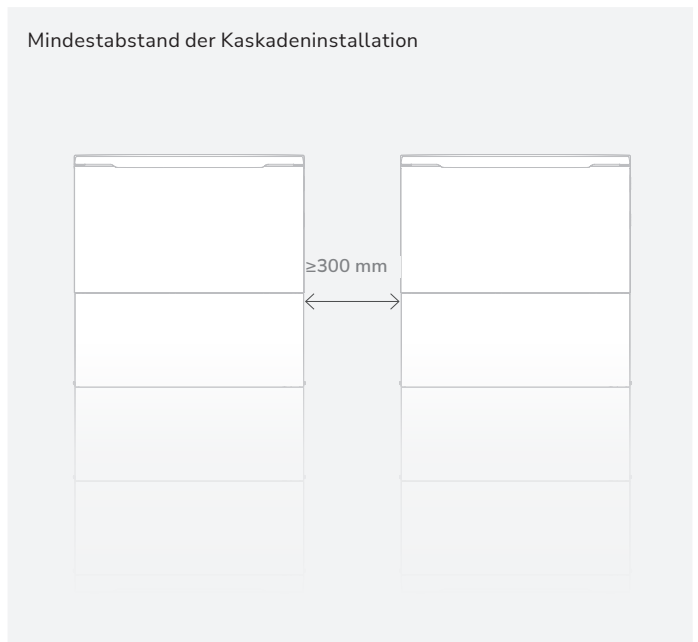
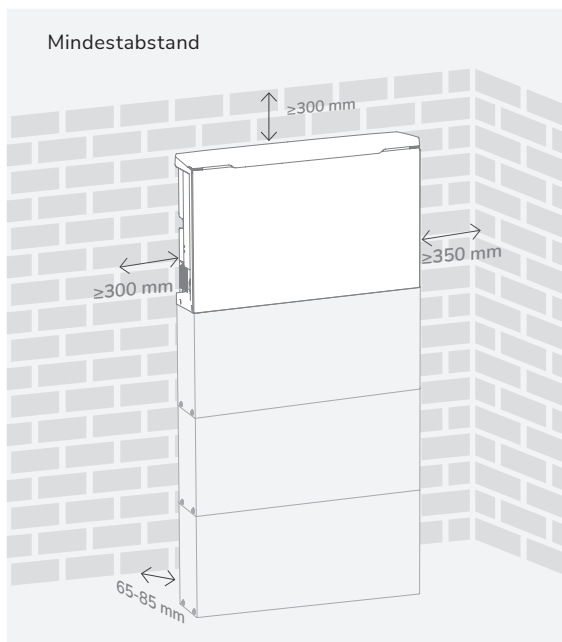
• ABMESSUNGEN



• CLEARANCE

⚠️ WARNUNG

- Für eine gute Belüftung muss ein Mindestabstand eingehalten werden.
- Blockieren Sie während des Betriebs NICHT den Luftauslass auf der linken Seite des Wechselrichters..



I Installation der Batterie

⚠ GEFAHR

- Beim Bohren von Löchern dürfen die in der Wand und unter dem Fußboden verlegten Wasserleitungen und Stromkabel nicht beschädigt werden.
- Beim Bohren von Löchern muss der Batterie vor Spänen und Staub geschützt werden.
- Vor dem Einbau der Batterie vergewissern Sie sich, dass die Klickkontakte an der Ober- und Unterseite der Batterie frei von Fremdkörpern oder Flüssigkeiten sind.

⚠ VORSICHT

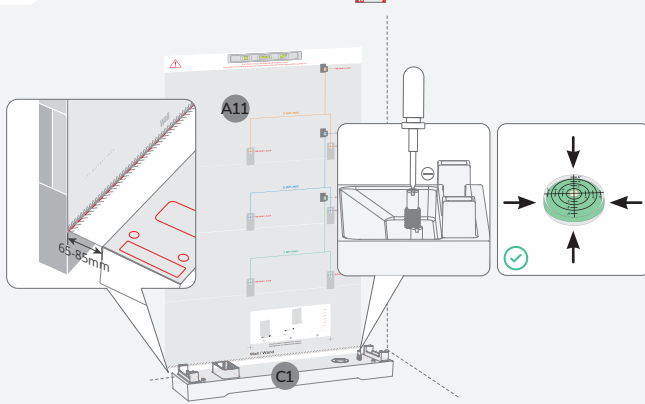
- Stellen Sie sicher, dass die Batterien an der Wand befestigt sind, um ein Umfallen, Umkippen oder Erdbeben zu vermeiden.
- Um Verletzungen und Beschädigungen der Batterie zu vermeiden, sollten genügend Personal (zwei oder mehr) zum Transport der Batterie eingesetzt werden.
- Beim Transport des Batterie die Griffe oben am Batterie anfassen.

HINWEIS

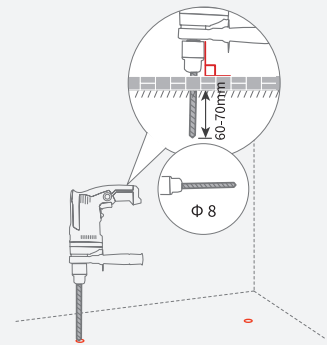
- Die zwei mit jeder Batterie mitgelieferten M6x60-Dübel können entweder zur Befestigung der Batterie selbst oder der Batteriebasis verwendet werden – Optionen: Batterie mit 1 Schraube befestigen und Basis mit 2 Schrauben, oder Batterie mit 2 Schrauben sichern und Basis unbefestigt lassen. Entscheiden Sie vor Ort entsprechend den örtlichen Installationsbedingungen.
- Bei gemischten Stapelinstallationen, die neueren Modellbatterien (EF BD-5-S2) und vorherige Modellbatterien (EF BD-5.1-S1) kombinieren, wird empfohlen, vorrangig den vorherigen Modellsockel (EF BD-B-S1) zu verwenden. Es ist bewährte Praxis, zuerst die vorherigen Modellbatterien auf dem Sockel zu stapeln und dann die neueren Modellbatterien darauf zu stapeln.

• METHODE 1: BODENMONTAGE

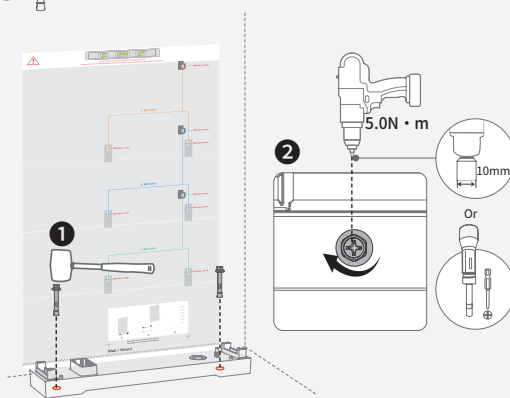
1 C1 × 1 A11 × 1



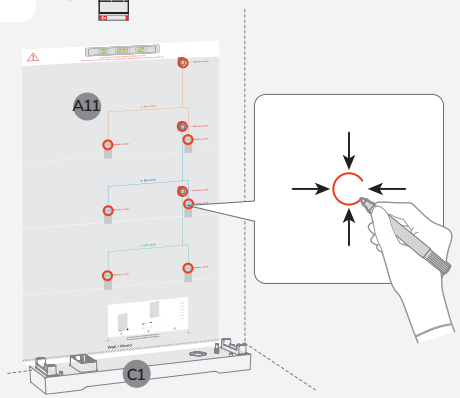
2



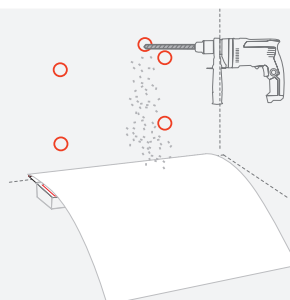
3 B3 × 2



4 A11 × 1



Beim Bohren von Löchern muss der Batterie vor Spänen und Staub geschützt werden. Es wird empfohlen, den Sockel zum Schutz mit der Markierungsschablone abzudecken.



5

Wechselrichters

15kWh

10kWh

5kWh

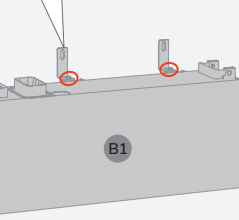
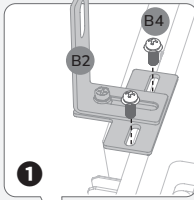
60-70mm

Φ 8

6

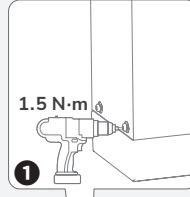
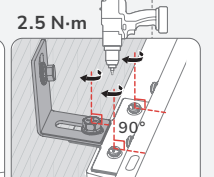
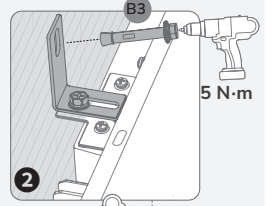
B1 x 1 B2 x 2 B4 x 4

*Nicht vollständig festziehen, um spätere Einstellungen zu ermöglichen.

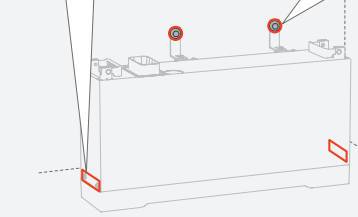


7

B3 x 2

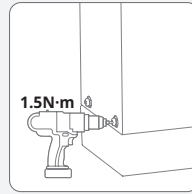
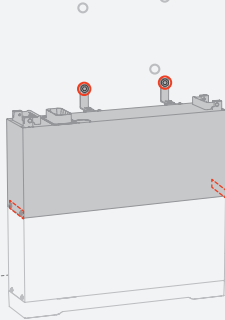


*Komplett festziehen zur Sicherung.



8

B4 x 4



(Optional) Befestigungslöcher für 20/25/30 kWh Batterien markieren.

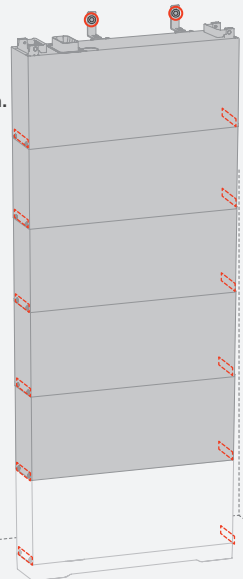


30kWh

25kWh

20kWh

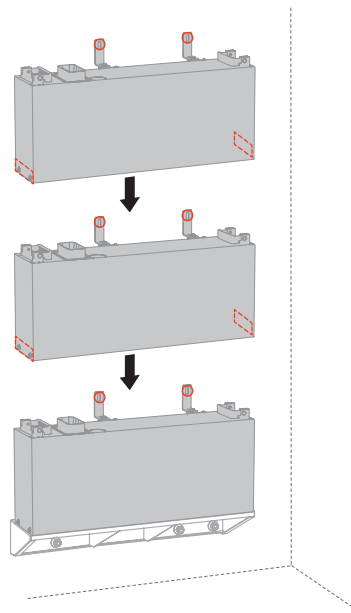
Es können bis zu 6 Batterien gestapelt werden.



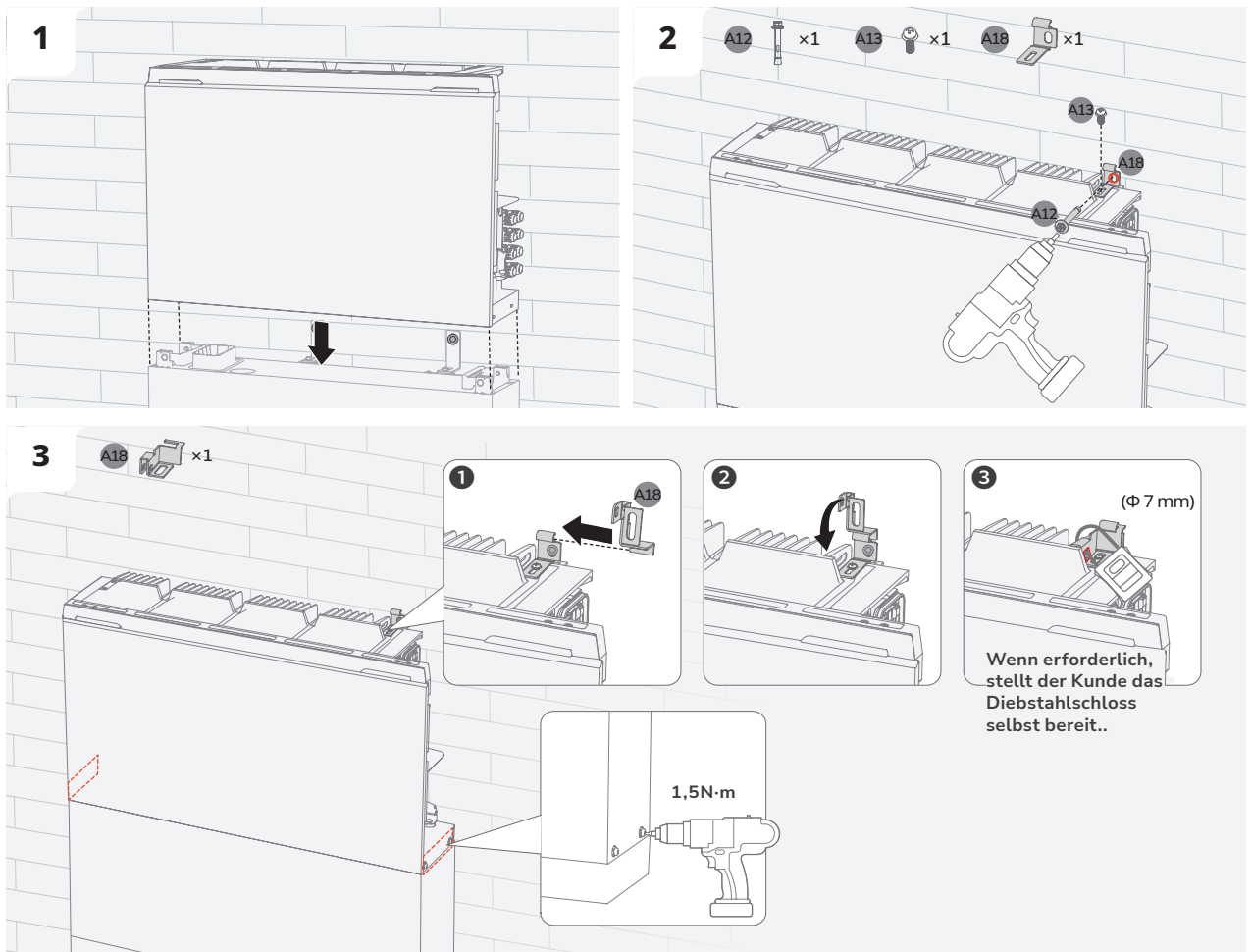
METHODE 2: (OPTIONAL) WANDMONTAGE

HINWEIS


- Einzelheiten zur Installation entnehmen Sie bitte der Installation, die der EcoFlow PowerOcean Wand-Batteriesockel beiliegt.
- Der separat erhältliche Batterie ermöglicht das Stapeln von bis zu drei Batterien.



I Installation des Wechselrichters

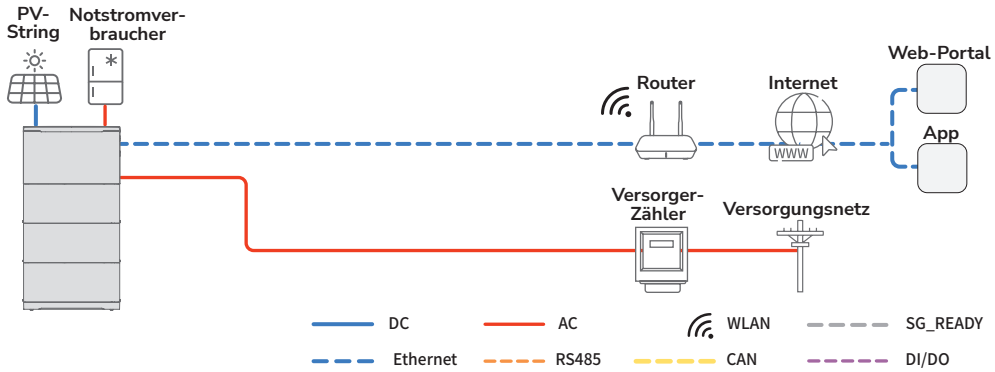


Anwendungsbereiche

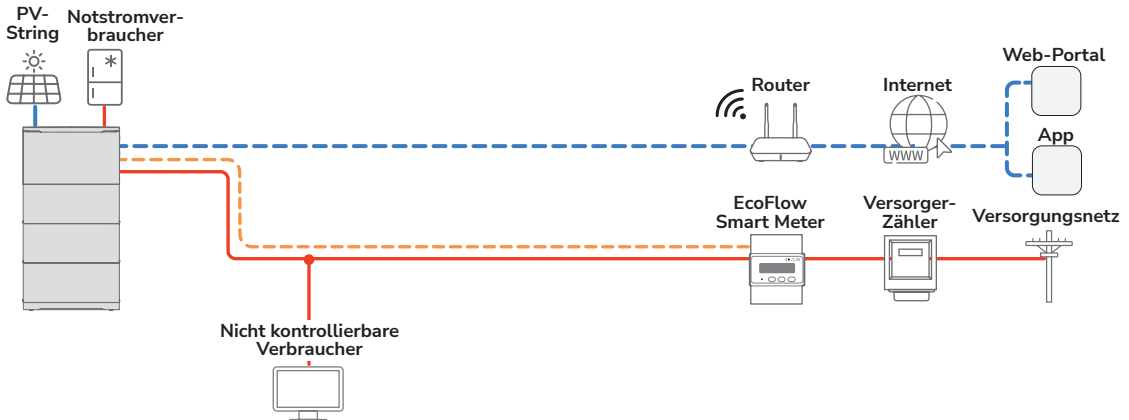
 Das in diesem Handbuch beschriebene Verdrahtungsschema basiert auf der neuesten Version der APP-Software und Firmware vom Mai 2026, die sich durch Software-Updates ändern kann. Bei Fragen wenden Sie sich bitte an Ihren lokalen EcoFlow Kundendienst.

I Einzelwechselrichter-Konfiguration

• BACKUP-SYSTEM FÜR DAS GESAMTE HAUS



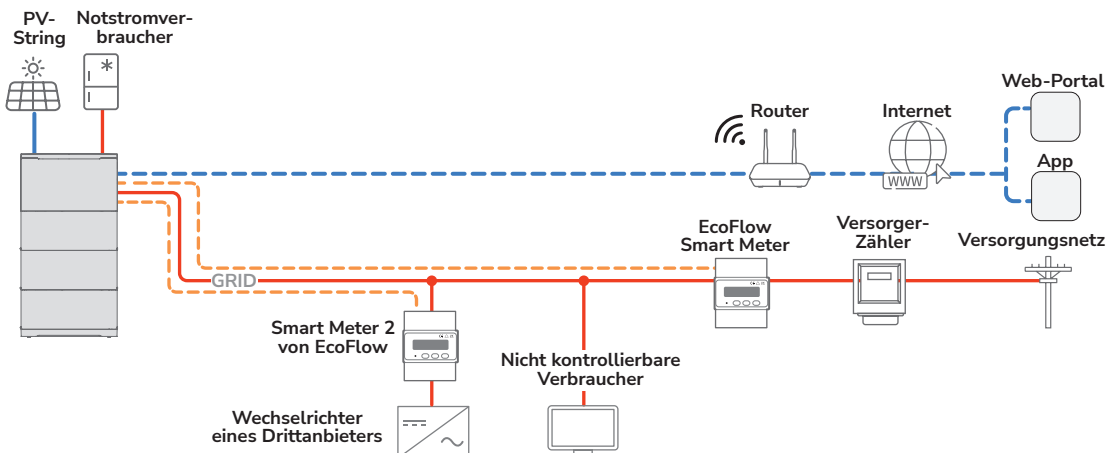
• TEILWEISES HEIM-BACKUP-SYSTEM



• VERWENDUNG MIT VORHANDENEM PV-SYSTEM

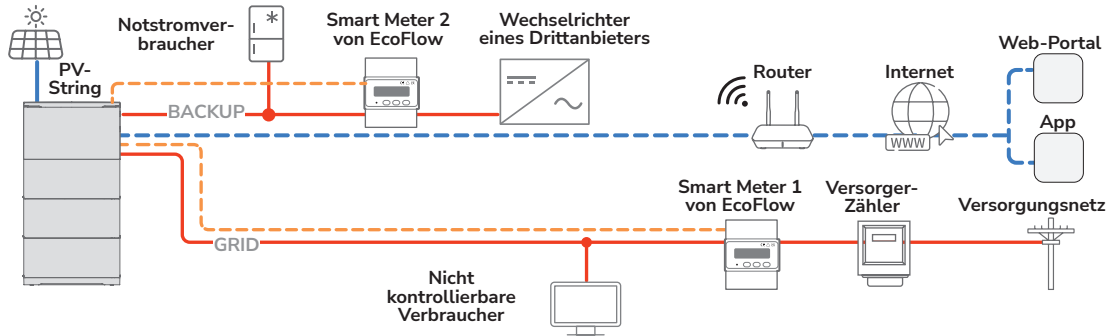
Das EcoFlow Ocean 2-System ist mit jedem einphasigen oder dreiphasigen netzgekoppelten PV-System kompatibel. Bei Anschluss eines dreiphasigen Wechselrichters darf dessen Nennleistung die Nennleistung des BACKUP/GRID-Anschlusses nicht überschreiten. Bei Anschluss eines einphasigen Wechselrichters darf dessen Nennleistung ein Drittel der Nennleistung des BACKUP/GRID-Anschlusses nicht überschreiten. Die von vorhandenen PV-Wechselrichtern erzeugte Leistung wird zunächst den Lasten bereitgestellt und anschließend zum Laden der Batterie verwendet.

- Über GRID-Anschluss verbinden



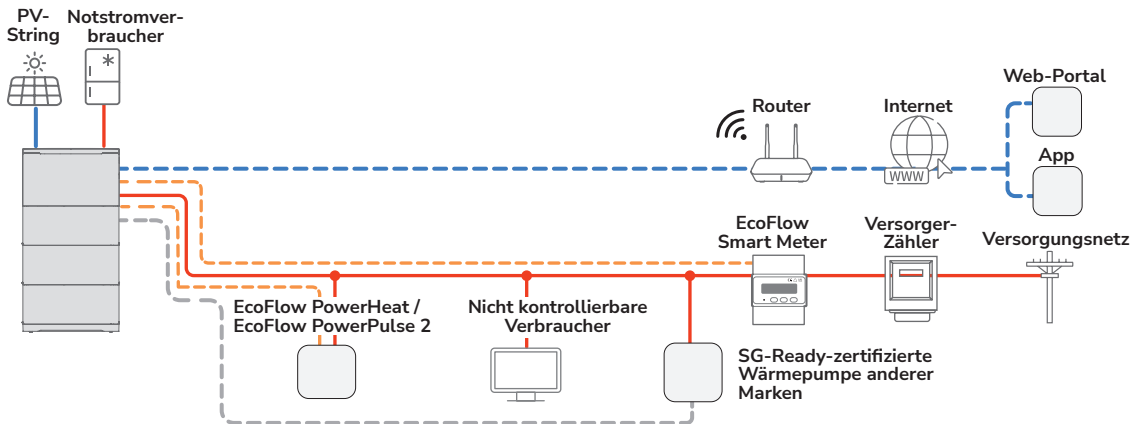
- Über BACKUP-Anschluss verbinden (Teilweises Heim-Backup-System)

- Ein angeschlossener Fremd-Wechselrichter muss ebenfalls die lokalen Sicherheitsvorschriften für Überfrequenzschutz und Überfrequenz-Lastreduktionsfunktionen unterstützen.
- In dieser Konfiguration wird netzunabhängiger Parallelbetrieb nicht unterstützt.
- In dieser Konfiguration erreicht das EcoFlow Ocean 2-System über Frequenzregelungsfähigkeit eine Leistungsreduktionssteuerung für Fremd-Wechselrichter in Netzaustaussszenarien.



• VERWENDUNG MIT SG-READY-ZERTIFIZIERTER WÄRMEPUMPE ODER EV-LADEGERÄT

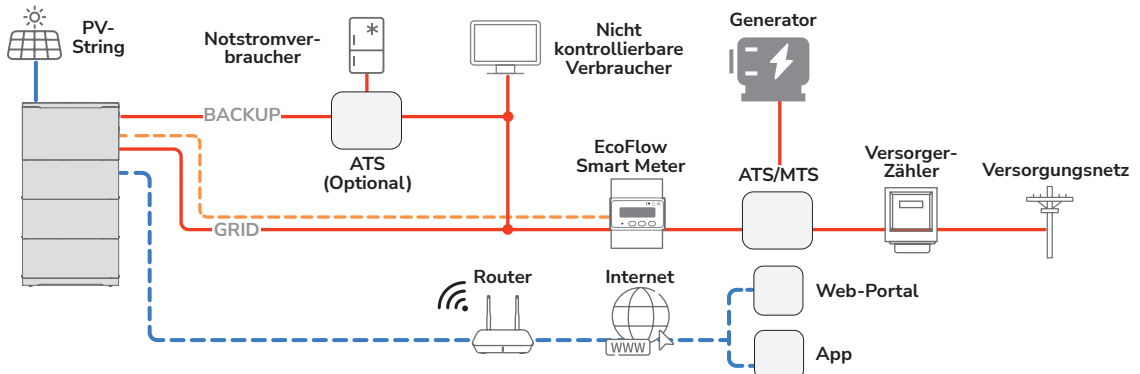
Das EcoFlow Ocean 2 System ist kompatibel mit dem EcoFlow EV-Ladegerät (PowerPulse 2), der Wärmepumpe (PowerHeat) und allen anderen SG-Ready zertifizierten Wärmepumpen. Bei Anschluss an das Ocean 2-System wird eine SG-Ready-zertifizierte Wärmepumpe oder ein EV-Ladegerät über PV-Strings, Batterie und das öffentliche Stromnetz mit Strom versorgt. Durch den autarken Betrieb des EcoFlow Ocean 2-Systems wird der Eigenverbrauchsgrad des neuen Systems erheblich verbessert, wodurch die Stromkosten sinken.



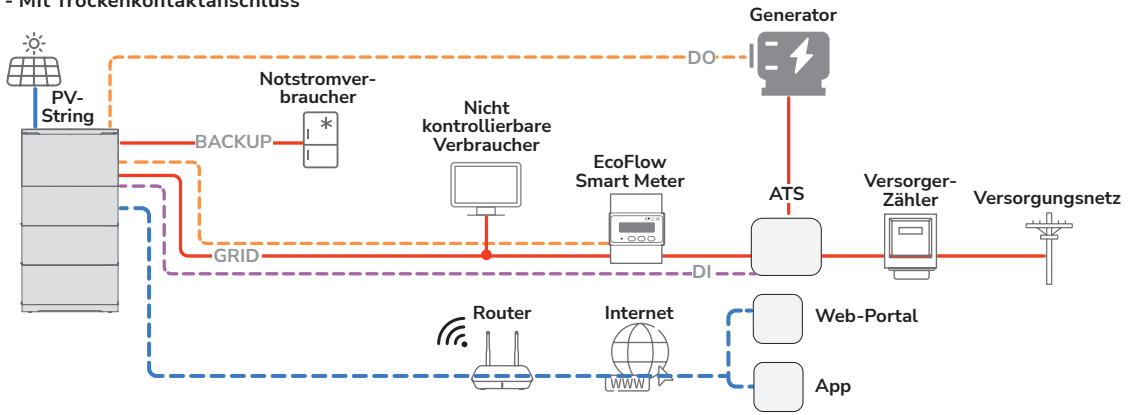
• VERWENDUNG MIT GENERATOR

Das EcoFlow Ocean 2-System ist mit Generatoren kompatibel, sodass Benutzer dieses Ocean 2-System und einen Generator verwenden können, um ein sofortiges Notstromsystem aufzubauen und die Energieeffizienz ihres Hauses zu verbessern.

- Keine Trockenkontaktanschluss



- Mit Trockenkontaktanschluss

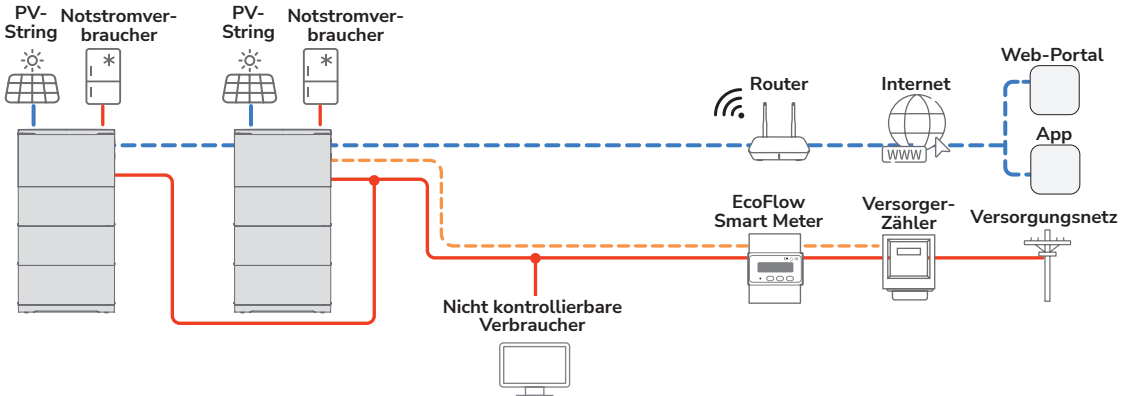


I Multi-Wechselrichter-Konfiguration

• 2 WECHSELRICHTER KASKADIERT (GETRENNTE VERBRAUCHER)

HINWEIS

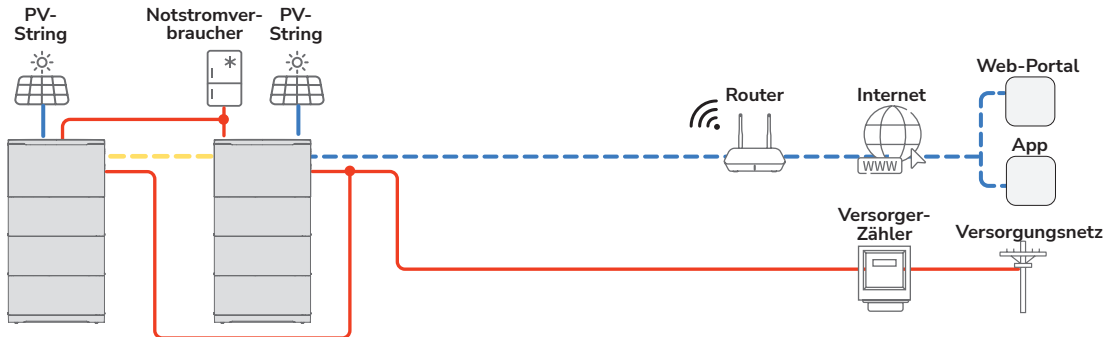
- Es wird nur die Kaskadierung von Wechselrichtern desselben Modells unterstützt.
- Die Kaskadierung verschiedener Ocean 2-Produkte wird nicht unterstützt.
- Der BACKUP-Anschluss bleibt im netzunabhängigen Betrieb von kaskadierten Wechselrichtern ohne Batterie inaktiv.



• 2 WECHSELRICHTER KASKADIERT (GETEILTE VERBRAUCHER)

HINWEIS

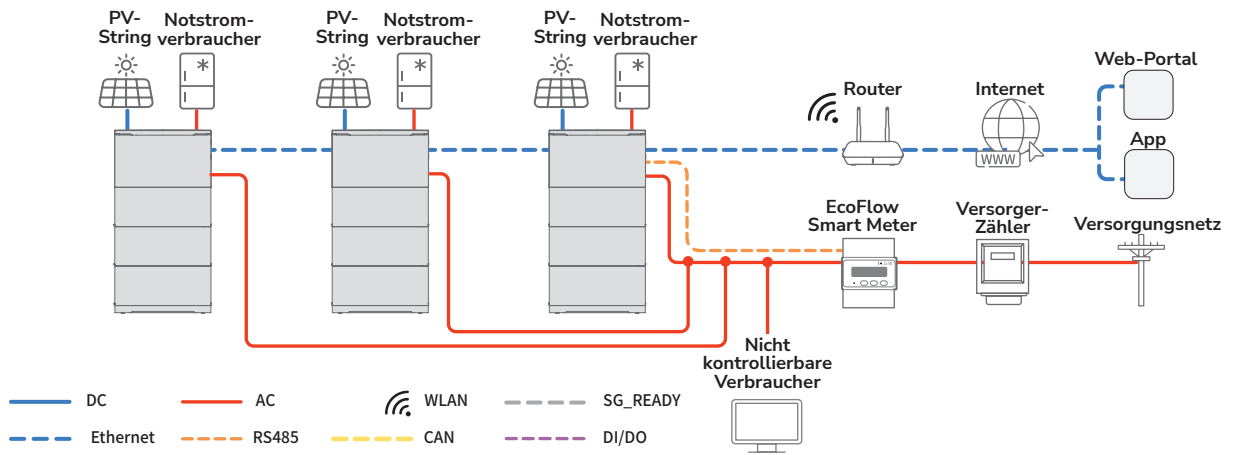
- Es wird nur die Kaskadierung von Wechselrichtern desselben Modells unterstützt.
- Die Kaskadierung verschiedener Ocean 2-Produkte wird nicht unterstützt.
- Beide BACKUP-Anschlüsse müssen miteinander verbunden sein, auch wenn sie nicht an Verbraucher angeschlossen sind, da es sonst zu einem Systemausfall kommt.



• 3 WECHSELRICHTER KASKADIERT (GETRENNTE VERBRAUCHER)

HINWEIS

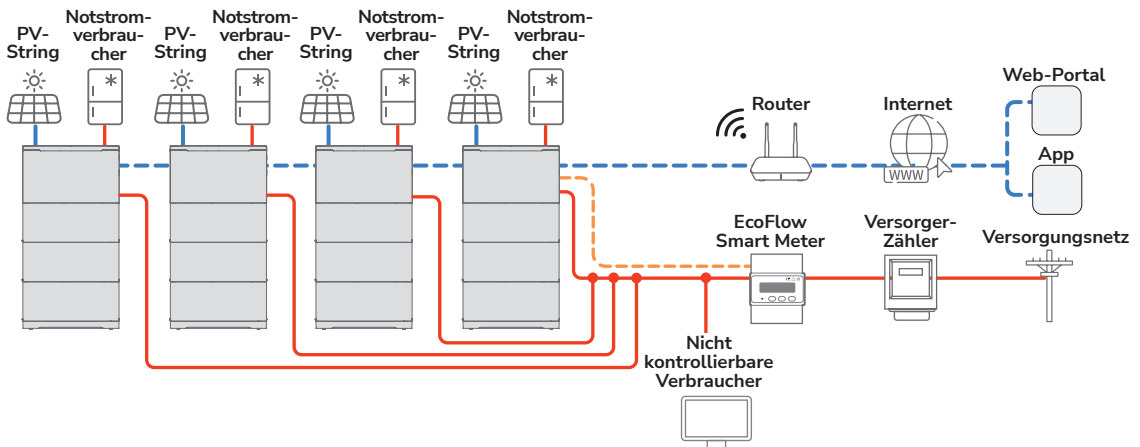
- Es wird nur die Kaskadierung von Wechselrichtern desselben Modells unterstützt.
- Die Kaskadierung verschiedener Ocean 2-Produkte wird nicht unterstützt.
- Der BACKUP-Anschluss bleibt im netzunabhängigen Betrieb von kaskadierten Wechselrichtern ohne Batterie inaktiv.



• 4 WECHSELRICHTER KASKADIERT (GETRENNTE VERBRAUCHER)

HINWEIS

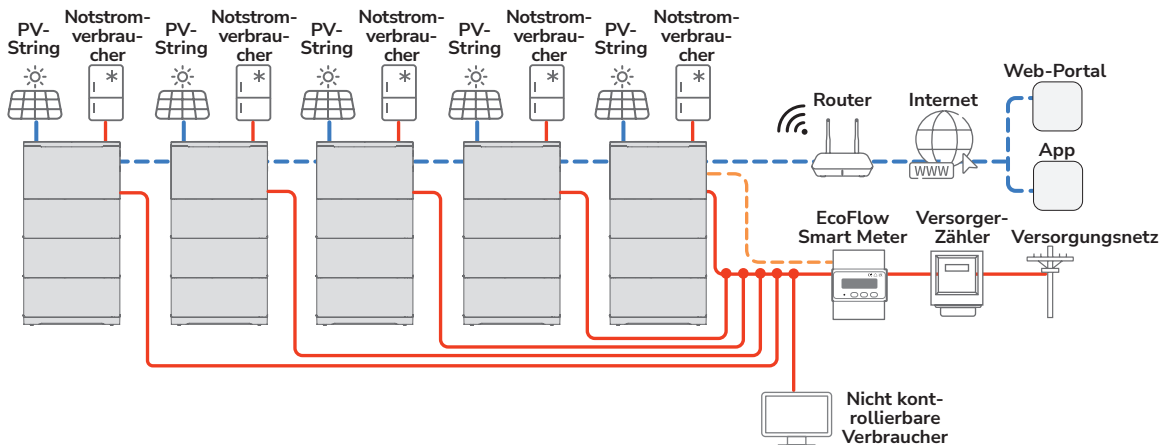
- Es wird nur die Kaskadierung von Wechselrichtern desselben Modells unterstützt.
- Die Kaskadierung verschiedener Ocean 2-Produkte wird nicht unterstützt.
- Der BACKUP-Anschluss bleibt im netzunabhängigen Betrieb von kaskadierten Wechselrichtern ohne Batterie inaktiv.



• 5 WECHSELRICHTER IN KASKADIERUNG (GETRENNTE VERBRAUCHER)

HINWEIS

- Es wird nur die Kaskadierung von Wechselrichtern desselben Modells unterstützt.
- Es können bis zu 5 Wechselrichter kaskadiert werden.
- Die Kaskadierung verschiedener Ocean 2-Produkte wird nicht unterstützt.
- Der BACKUP-Anschluss bleibt im netzunabhängigen Betrieb von kaskadierten Wechselrichtern ohne Batterie inaktiv.

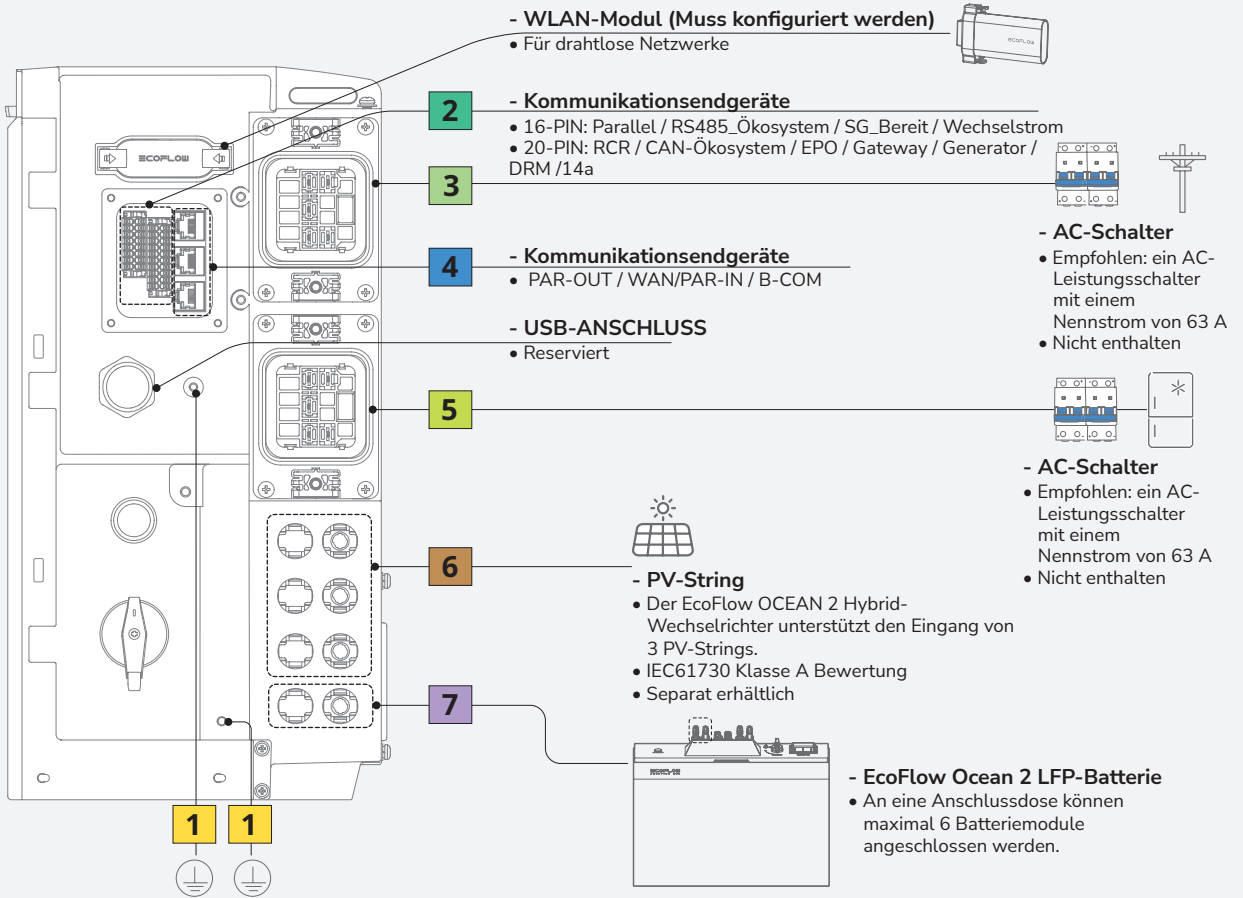


Elektrischer Anschluss

VORSICHT

HINWEIS

- Alle elektrischen Anschlüsse müssen von einem professionell ausgebildeten und zertifizierten Elektriker vorgenommen werden.
- Die Kabel sind vom Kunden vorzubereiten und müssen den lokalen Zertifizierungsstandards entsprechen.
- Bitte entfernen Sie die Schutzkappe von unbenutzten Anschlüssen nicht. Andernfalls wird die IP Bewertung des Wechselrichters beeinträchtigt.
- Die in den Abbildungen gezeigten Kabelfarben dienen nur als Referenz. Wählen Sie Kabel aus, die den örtlich geltenden Bestimmungen entsprechen.
- Je nach Installation und Anforderungen an die mechanische Leistungsfähigkeit können starre oder flexible Kabel verwendet werden.



LEGENDE

- | | |
|--|--|
| <p>1 Erdungskabel
10 mm²</p> <p>2 Kommunikationsendgeräte
Geschirmtes Twisted Pair 2*0,5 mm²</p> <p>3 Netz-Stromkabel
16 mm²-Kabel, Bemessungsstrom 63 A. Wählen Sie den geeigneten Leiterquerschnitt basierend auf dem Netzanschlussstrom, den örtlichen Vorschriften und den Wechselrichter-Spezifikationen.</p> <p>4 Kommunikationsendgeräte
Geschirmtes Netzkabel der Kategorie 5e oder höher</p> | <p>5 Stromkabel für Notstromverbraucher
16 mm²-Kabel, Bemessungsstrom 63 A. Wählen Sie den geeigneten Leiterquerschnitt basierend auf dem Netzanschlussstrom, den örtlichen Vorschriften und den Wechselrichter-Spezifikationen.</p> <p>6 PV-Eingangskabel
4-6 mm² mit einer Nennspannung von mindestens 1 000 V DC</p> <p>7 Batterie-Stromkabel
6-10 mm² mit einer Nennspannung von mindestens 1 000 V DC</p> |
|--|--|

I Schaltplan

HINWEIS

- Die Verdrahtung von N und PE über die GRID- und BACKUP-Anschlüsse des Wechselrichters variiert je nach den regulatorischen Anforderungen der verschiedenen Regionen. Beachten Sie die spezifischen Anforderungen der örtlichen Vorschriften.
- Für die Umschaltung der Stromversorgung zwischen dem Stromnetz und dem Wechselrichter im gesamten Haus-Notstromsystem wird ein manueller Umschalter (MTS) vom Typ 63 A dringend empfohlen.
- Es wird empfohlen, Überspannungsschutzgeräte (SPD) vor dem Anschluss der PV-Strings und vor dem Anschluss an das Stromnetz zu installieren.
- Die RCD-Installation muss den lokalen Elektrovorschriften entsprechen.

• DIE N- UND PE-KABEL SIND IM HAUPTVERTEILER SEPARAT VERDRAHTET.

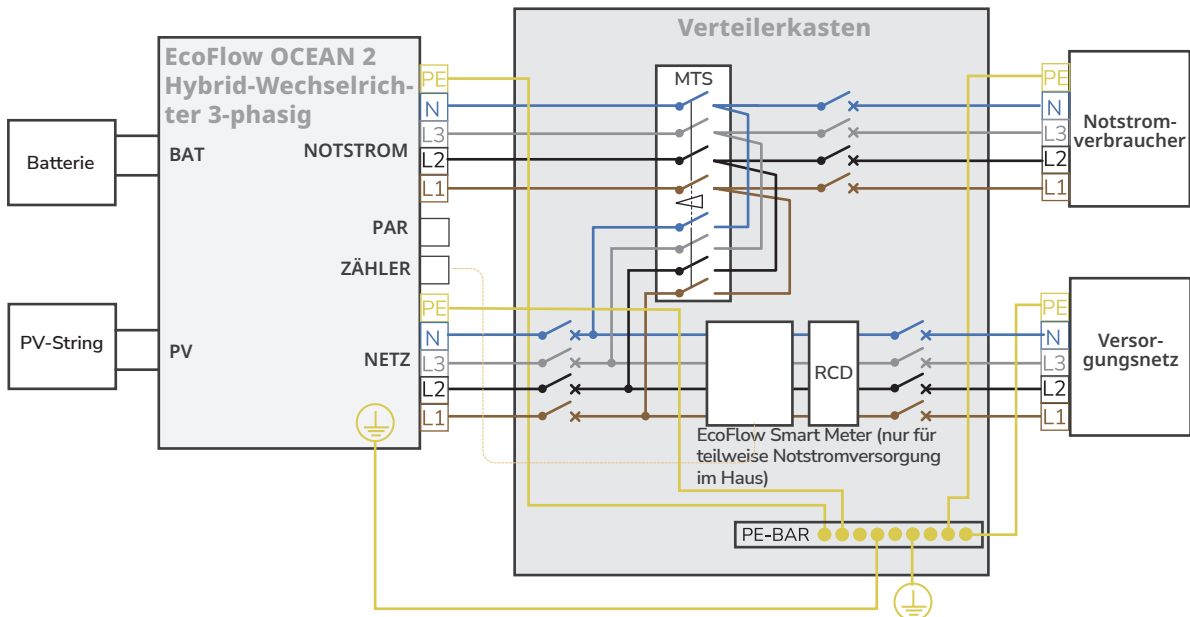
VORSICHT

- Verbinden Sie die N-Sammelschiene nicht mit dem N-Leiter zwischen Wechselrichter und Netz, da es sonst zu Fehlfunktionen des Wechselrichters kommen kann.

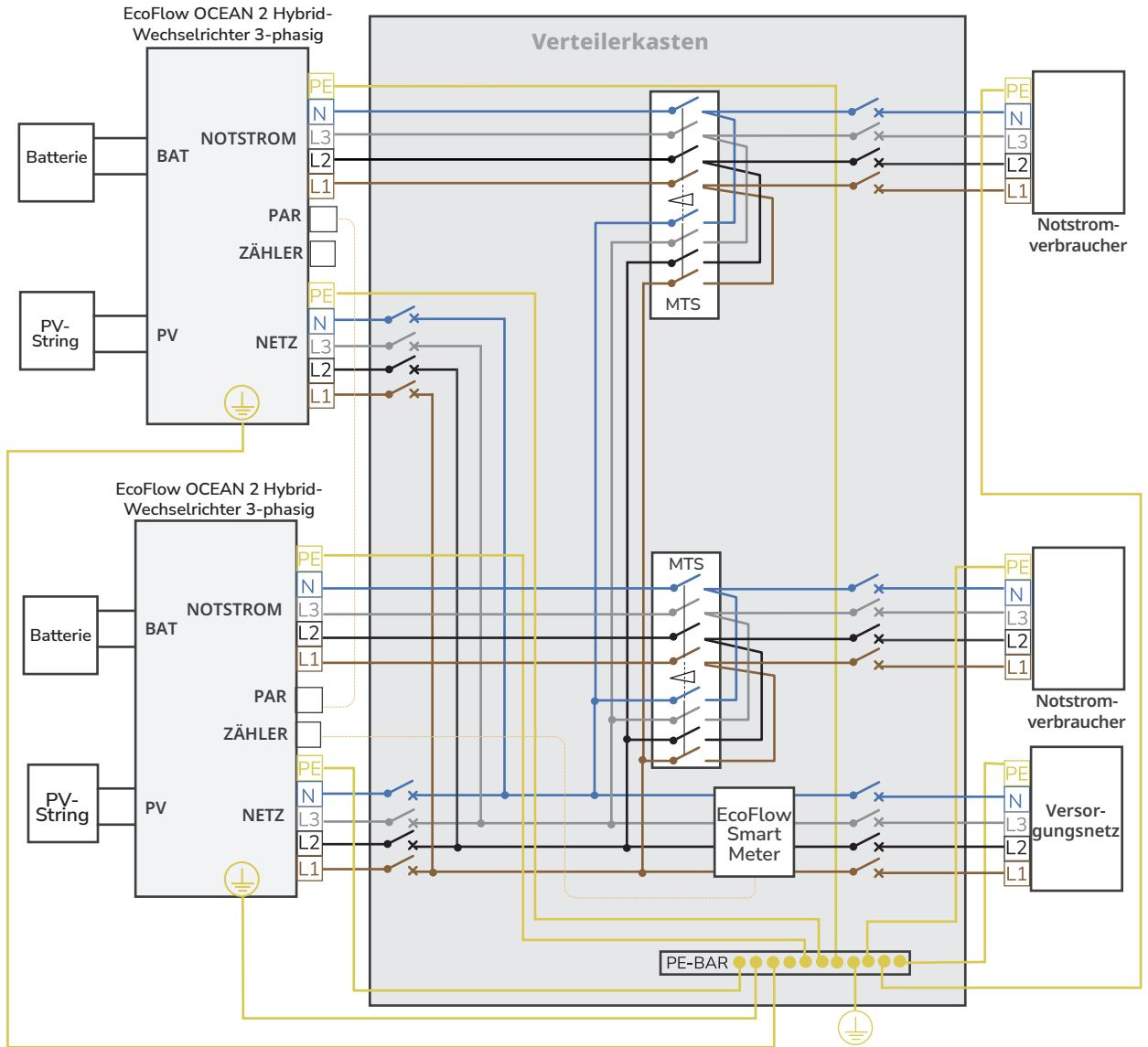
HINWEIS

- Verbinden Sie nicht die N-Leiter der Wechselstrom-Backup-Seite und der Wechselstrom-Netzseite, da das System sonst möglicherweise nicht ordnungsgemäß funktioniert. Falls in einigen Häusern ein Anschluss besteht, versuchen Sie, die N-Sammelschiene vom Netz zu trennen und den Wechselstrom-GRID N-Anschluss des Wechselrichters direkt mit dem N-Anschluss des Netzes zu verbinden.

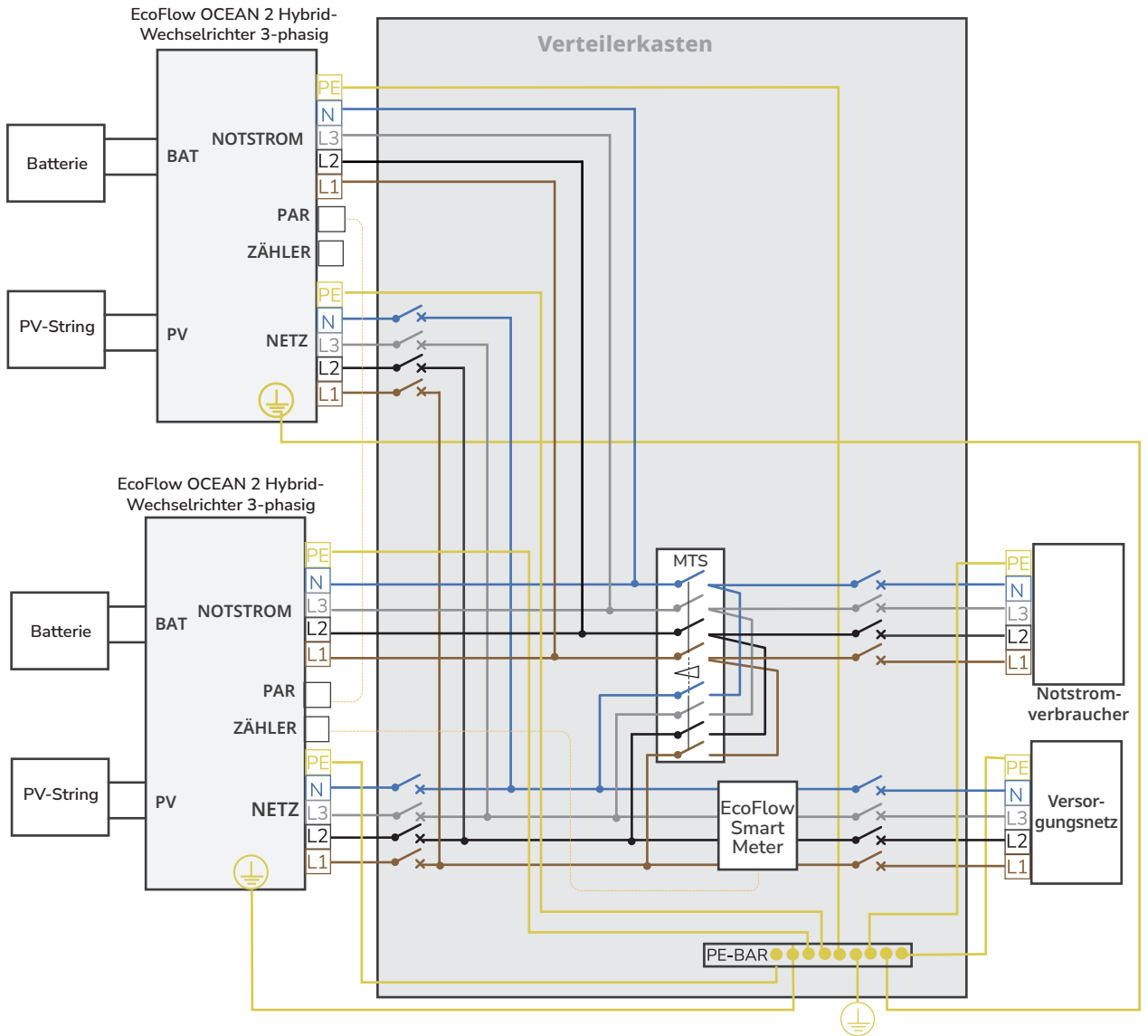
- Einzelner Wechselrichter



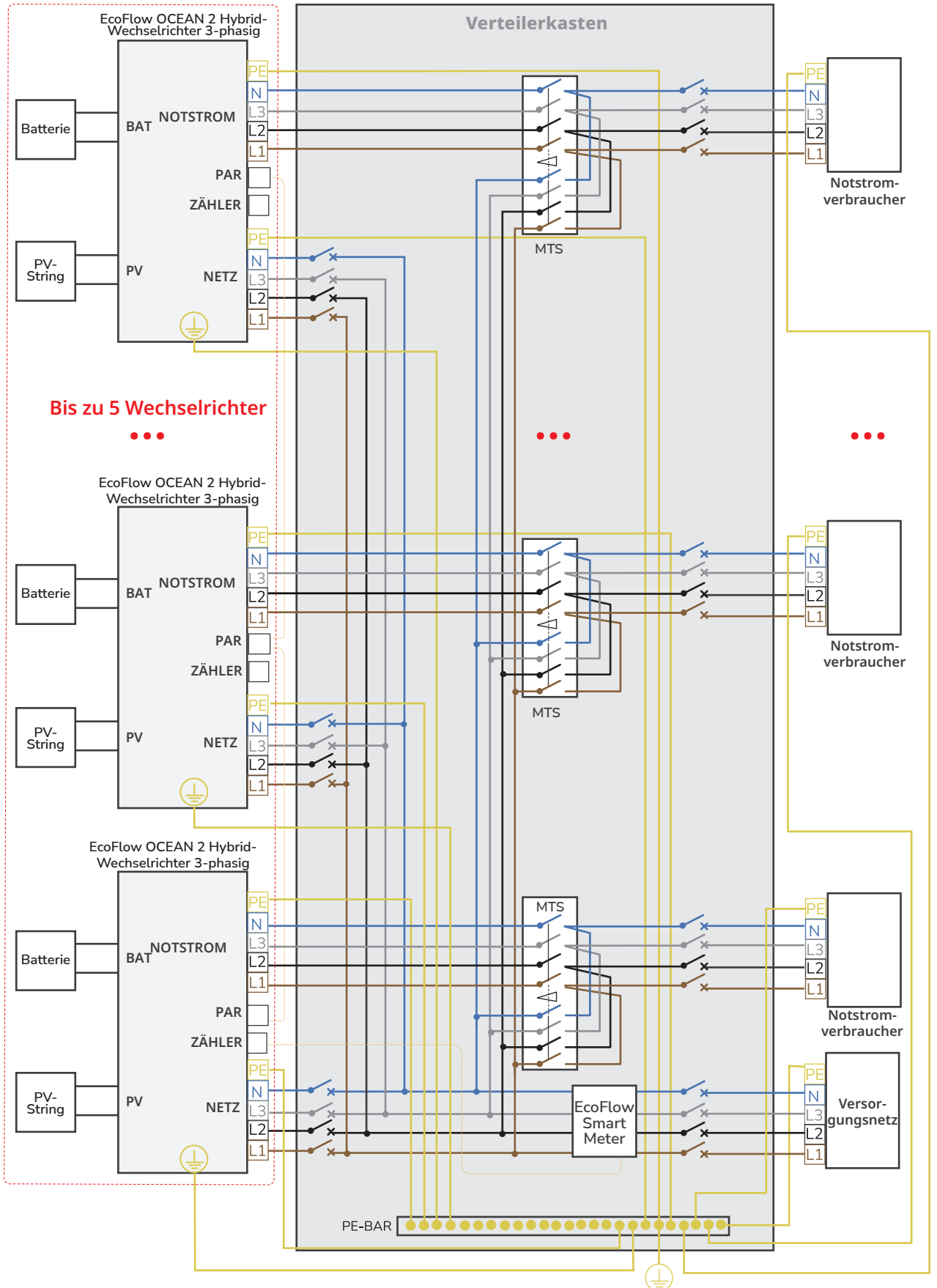
- 2 Wechselrichter kaskadiert (getrennte Verbraucher)



- 2 Wechselrichter kaskadiert (geteilte Verbraucher)



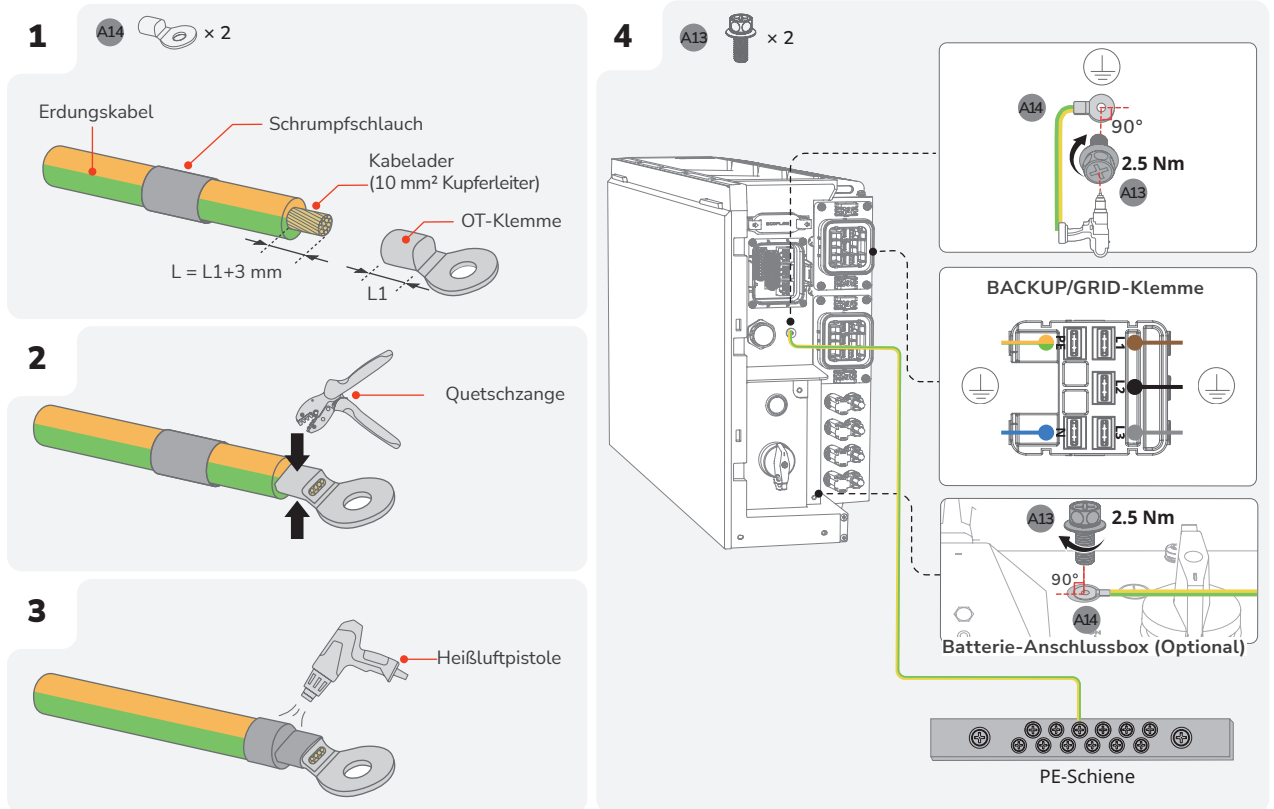
- 3/4/5 Wechselrichter kaskadiert (getrennte Verbraucher)



I Anschluss der PE-Kabel

HINWEIS

- Stellen Sie sicher, dass das PE-Kabel fest angeschlossen ist.
- Umwickeln Sie den Bereich der Drahtverpressung mit Schrumpfschlauch oder Isolierband. Als Beispiel wird der Schrumpfschlauch verwendet.
- Beim Einsatz eines Heißluftgebläses muss das Gerät vor Verbrennungen geschützt werden.
- Es wird empfohlen, nach dem Anschließen des PE-Kabels Silicagel oder Farbe um die Erdungsklemme herum aufzutragen.
- Der Wechselrichter verfügt über zwei PE-Anschlüsse. Bei Einzelstapel-Installationen schließen Sie einen der beiden PE-Anschlüsse an die PE-Schiene an. Bei Doppelstapel-Konfigurationen schließen Sie einen PE-Anschluss an die PE-Schiene an und den anderen PE-Anschluss an den Schutzleiteranschluss der Batterie-Anschlussbox.



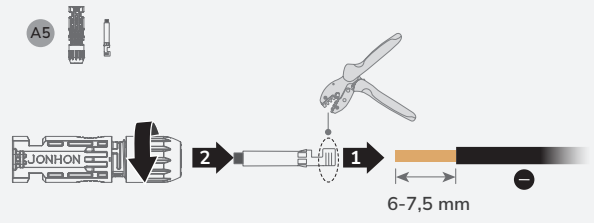
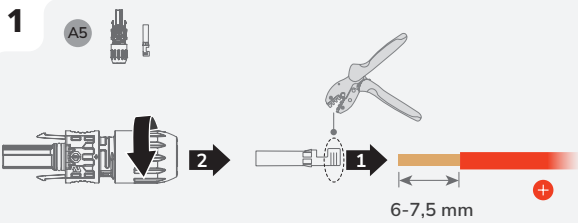
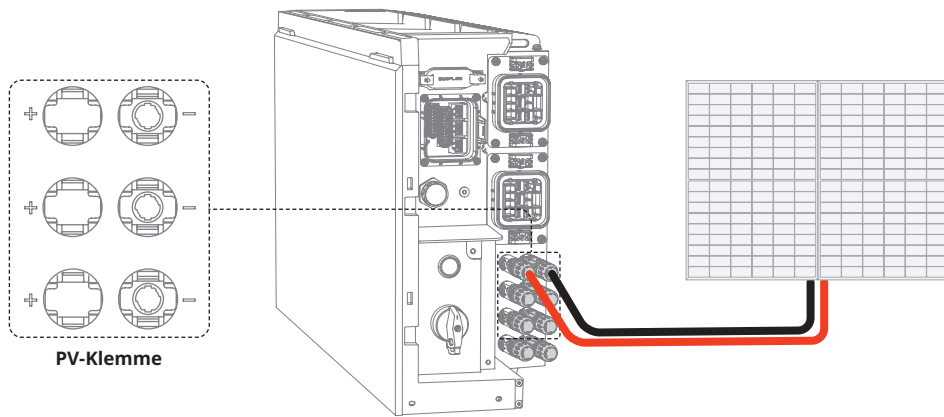
I Anschluss der PV-Eingangskabel

⚠ GEFAHR

- Bevor Sie die PV-Eingangskabel anschließen, vergewissern Sie sich, dass der am Wechselrichter angeschlossene AC-Schalter und der PV-SCHALTER am Wechselrichter ausgeschaltet sind. Wird dies nicht beachtet, kann es zu Stromschlägen kommen.
- Die PV-Strings erzeugen bei Sonneneinstrahlung eine lebensgefährliche Spannung. Trennen Sie das PV-Kabel des PV-Strings, bevor Sie die Gleichstrom anschließen.
- Vor dem Anschluss muss sichergestellt werden, dass die Polarität des Ausgang der PV-Anlage mit den Symbolen „PV+“/„PV-“ übereinstimmt.
- Vor dem Anschließen der PV- Eingang muss sichergestellt werden, dass die Impedanz zwischen den positiven/negativen Anschlüssen des PV-Strings und der Erde größer als 1 MΩ ist. Erden Sie den Plus/Minus-Pol des PV-Arrays nicht.
- Wenn der Wechselrichter in Betrieb ist, dürfen keine Arbeiten an den PV- Eingang durchgeführt werden, wie z. B. das Anschließen oder Trennen eines PV-Strings oder eines PV-Moduls in einem PV-String. Wird dies nicht beachtet, kann es zu Stromschlägen kommen.
- Die Schutzkappe darf nicht vom nicht verwendeten PV- Eingang entfernt werden. Andernfalls wird die IP-Bewertung des Wechselrichters beeinträchtigt.
- Stellen Sie sicher, Spannung und der maximale Strom eines beliebigen Strangs den in der „Technischen Parameter“-Sektion des Benutzerhandbuchs angegebenen zulässigen Bereich nicht überschreiten.

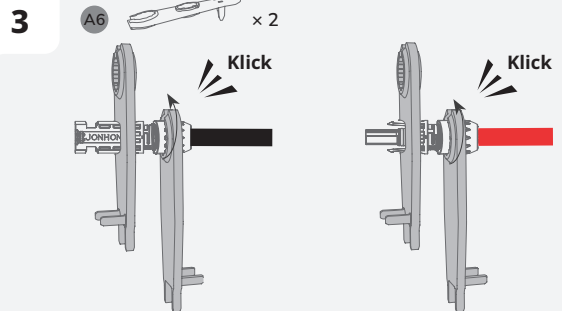
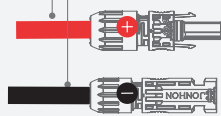
HINWEIS

- Um Fehlfunktionen zu vermeiden, schließen Sie bitte keine PV-Module, bei denen ein Strom besteht, an den Wechselrichter an.
- Um Blitzschäden am Wechselrichter zu vermeiden, wird empfohlen, einen Überspannungsschutzschalter am PV-Anschlusskasten anzubringen.
- Nachdem die Plus- und Minusanschlüsse eingerastet sind, ziehen Sie die PV- Eingang leicht zurück, um sicherzustellen, dass sie fest verbunden sind.
- Es wird nicht empfohlen, verschiedene Marken oder Modelle von PV-Modulen an einen MPPT-Stromkreis anzuschließen oder PV-Module mit unterschiedlicher Ausrichtung oder unterschiedlichen Winkeln an einen PV-String anzuschließen.

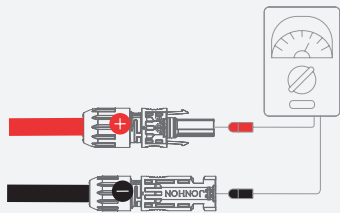


2

⚡ GEFAHR!
Ziehen Sie zurück, um zu bestätigen,
dass die Verbindung sicher ist.



4 ..Stellen Sie sicher, dass die Kabelpolaritäten korrekt sind



- Stellen Sie das Multimeter auf DC (Gleichstrom) ein, um die Spannung in der DC-Stellung zu messen. Wenn die Spannung einen negativen Wert aufweist, ist die Polarität des PV- Eingang falsch und muss korrigiert werden. Bei einer Spannung von über 1 000 V sind zu viele PV-Module an denselben Strang angeschlossen. Entfernen Sie einige PV-Module.
- Falls das PV-Eingangskabel verpolt angeschlossen ist und der PV-SCHALTER auf EIN steht, stellen Sie zuerst den PV-SCHALTER auf AUS, entfernen Sie dann die Plus- und Minus-Anschlüsse und korrigieren Sie die Polarität der PV- Eingang.

• ENTFERNEN DES PV-ANSCHLUSSES

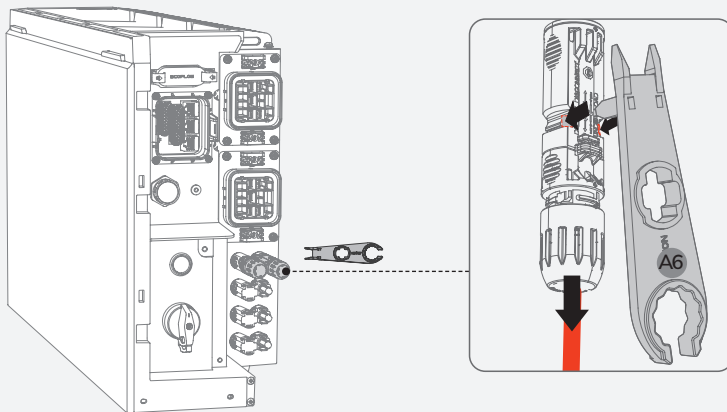


- Bevor Sie die Plus- und Minusanschlüsse entfernen, vergewissern Sie sich, dass der PV-SCHALTER ausgeschaltet ist.

A6



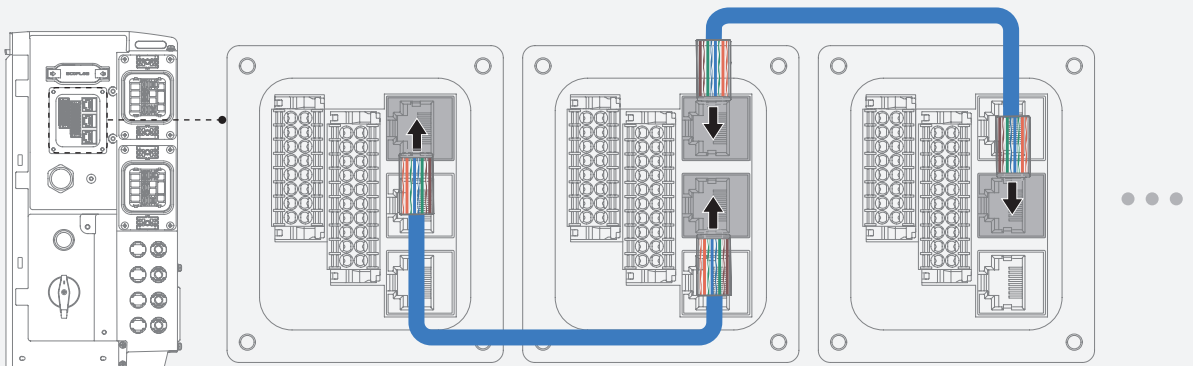
× 1



I Kommunikation zwischen kaskadierten Wechselrichtern

HINWEIS

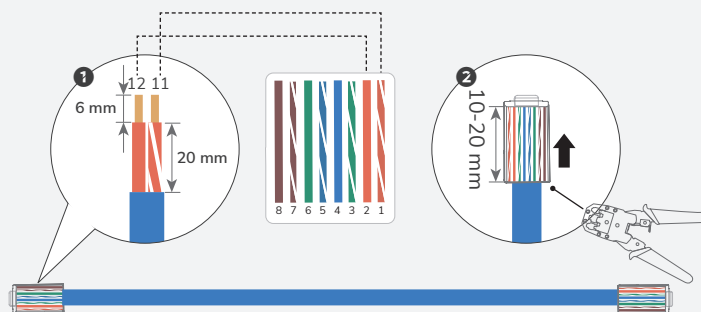
- Es können bis zu 5 Wechselrichter kaskadiert werden.
- Länge des netzgekoppelten parallelen Kommunikationskabels: ≤ 100 m; Länge des netzunabhängigen parallelen Kommunikationskabels: ≤ 10 m
- Netzparallelbetrieb: bis zu 5 Wechselrichter; Inselbetrieb: bis zu 2 Wechselrichter.



A17



× 2



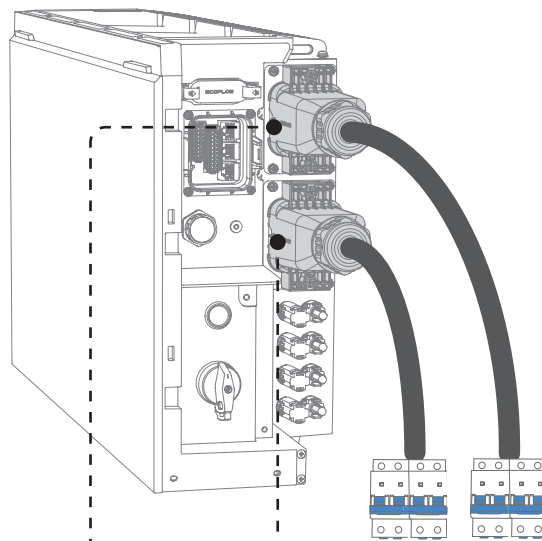
I Anschluss der NETZ-/BACKUP-Kabel

GEFAHR

- Die Streifenlänge muss 20 mm betragen. Eine zu kurze Streifenlänge kann zu unsicheren Crimpverbindungen führen und die Stromführungskapazität beeinträchtigen.
- Richten Sie die Leiter aus. Wenn ein Leiter außerhalb des Kabelmantels verbleibt, kann es zu einem Kurzschluss kommen.
- Bevor Sie den Klemmenblock festhalten, ziehen Sie unbedingt am Kabel, um die Verbindung zu prüfen.

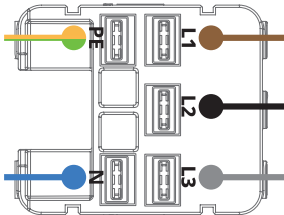
VORSICHT

- Vor der Installation, Inbetriebnahme und Wartung des Geräts muss dieses stets von der Stromversorgung getrennt werden.
- Schließen Sie keine Lasten zwischen dem Wechselrichter und dem Wechselstromschalter an, der direkt mit dem Wechselrichter verbunden ist.
- Erden Sie den PE-Pol des NETZ-Steckverbinders und das Gerätegehäuse.
- Schließen Sie die GRID-Leiter nicht an den BACKUP-Lastanschluss des Wechselrichters an und schließen Sie die BACKUP-Lastleiter nicht an den GRID-Anschluss an.
- Bitte stellen Sie sicher, dass die Verkabelung korrekt ist; andernfalls kann es zu Fehlfunktionen oder sogar Schäden am Gerät kommen.



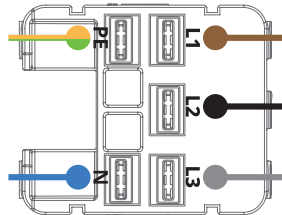
GRID-Klemme

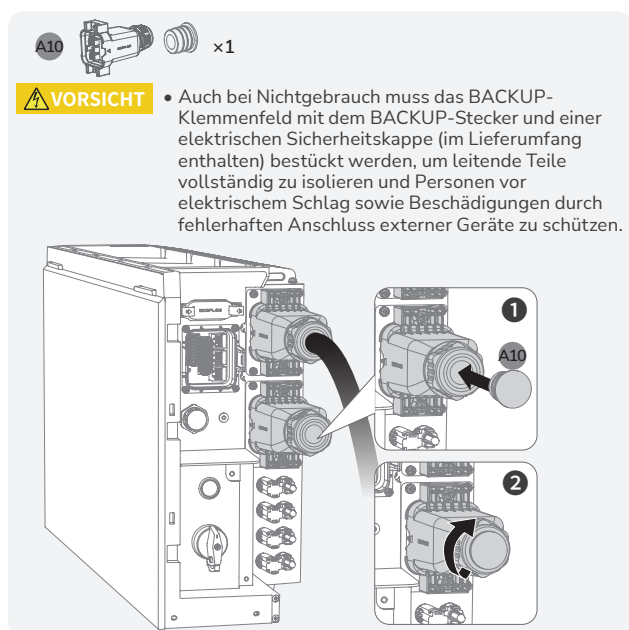
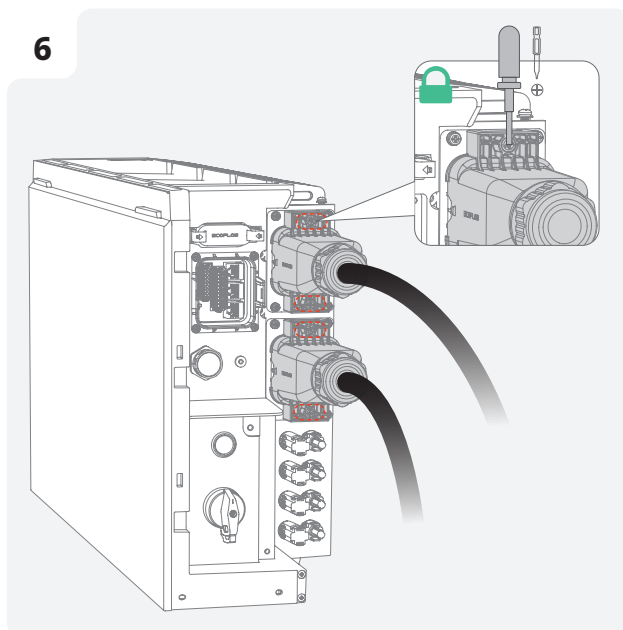
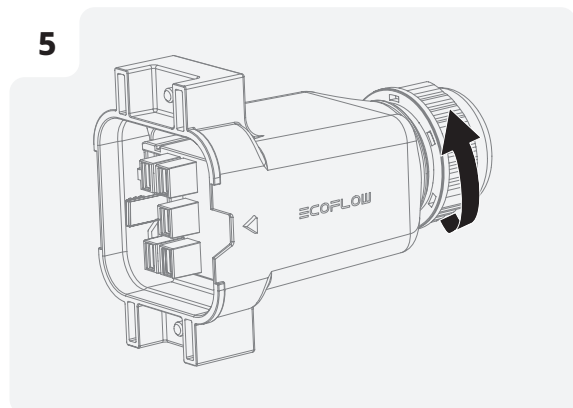
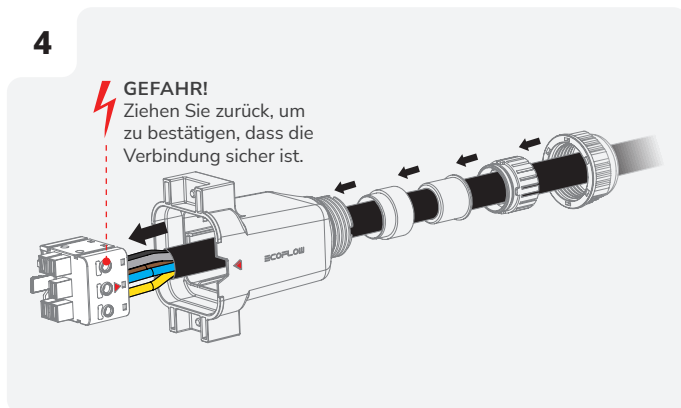
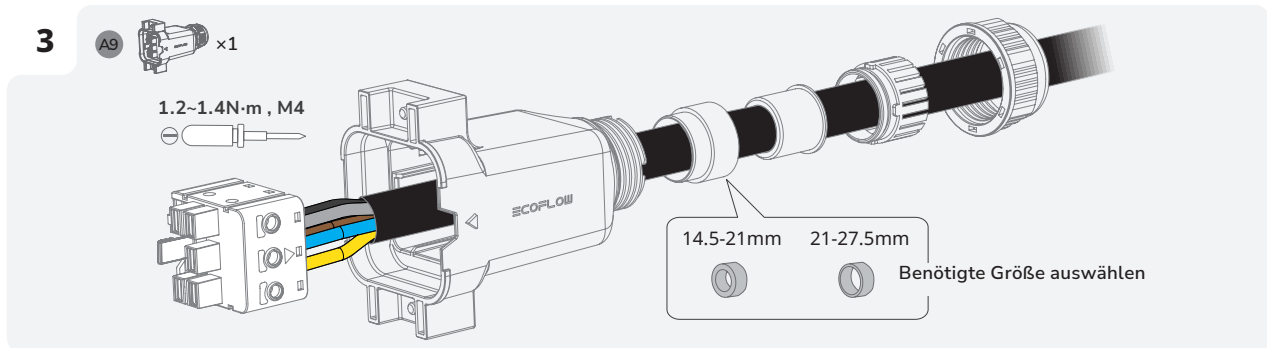
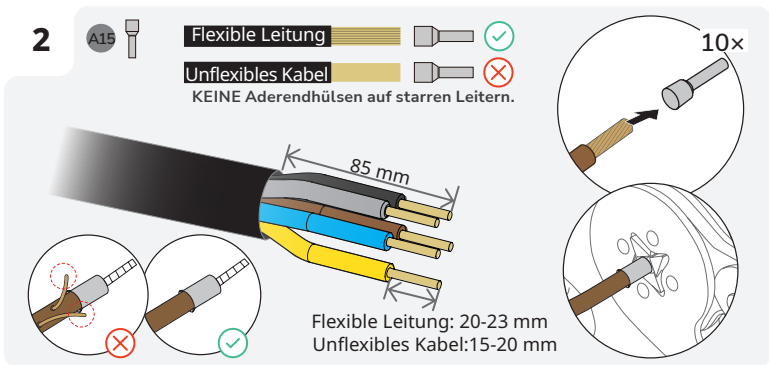
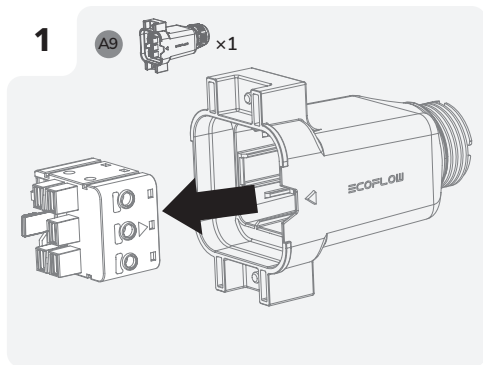
- GL1 · GRID-L1, a-Phasen-Leitung 1
- GL2 · GRID-L2, b-Phasen-Leitung 2
- GL3 · GRID-L3, c-Phasen-Leitung 3
- GN · GRID-N, Neutralleiter
- GP · GRID-PE, Erdungsdraht



BACKUP-Lastanschluss

- L1 · LOAD-L1, a-Phasen-Leitung 1
- L2 · LOAD-L2, b-Phasen-Leitung 2
- L3 · LOAD-L3, c-Phasen-Leitung 3
- N · LOAD-N, Neutralleiter
- P · LOAD-PE, Erdungsdraht

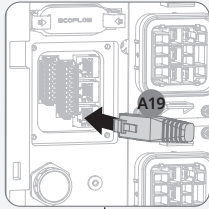




I Kaskadieren von Batterien

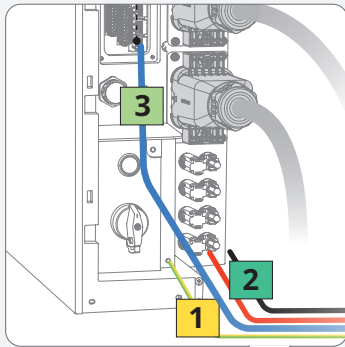
HINWEIS

- Für Kaskaden-Batteriekonfigurationen ist die EcoFlow PowerOcean Plus Batterie-Anschlussbox (EF BD-JC-S2) erforderlich, um eine ordnungsgemäße Verbindung mehrerer Batterie stapel sicherzustellen. Eine Batterie-Anschlussbox kann maximal 6 Batterie aufnehmen.
- Es können bis zu 12 Batterie kaskadiert werden.
- Bitte entfernen Sie die Schutzkappe von unbenutzten DC-Eingangsanschlüssen nicht. Andernfalls wird die IP Bewertung des Wechselrichters beeinträchtigt.
- Informationen zum erforderlichen Platzbedarf für die Batterie finden Sie im Abschnitt „Einbauräumenforderungen“ in diesem Leitfaden.



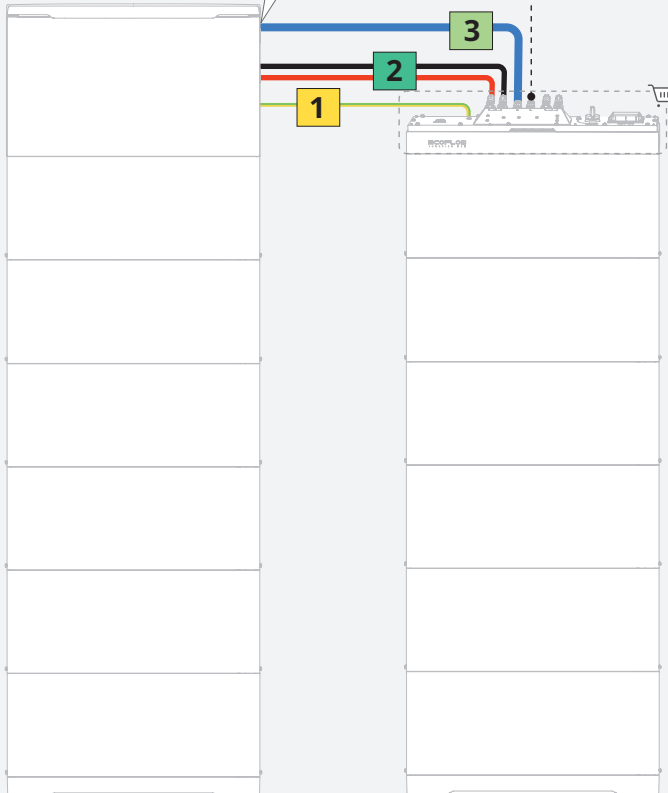
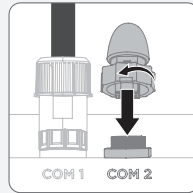
HINWEIS

- B-COM-Anschluss: Bitte installieren Sie einen Abschlusswiderstand am nicht verwendeten B-COM-Anschluss, um eine ordnungsgemäße Kommunikation zu gewährleisten.



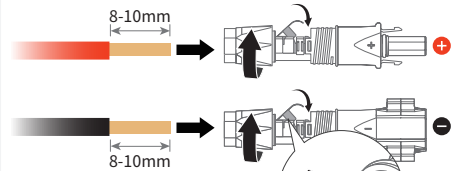
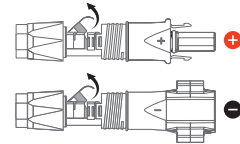
HINWEIS

- B-COM-Anschluss: Bitte installieren Sie einen Abschlusswiderstand am nicht verwendeten B-COM-Anschluss, um eine ordnungsgemäße Kommunikation zu gewährleisten.

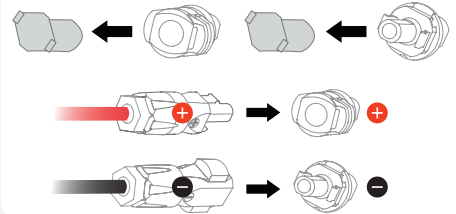


2

Batterie-Stromkabel (in der Batterieklammergebindeverpackung enthalten)

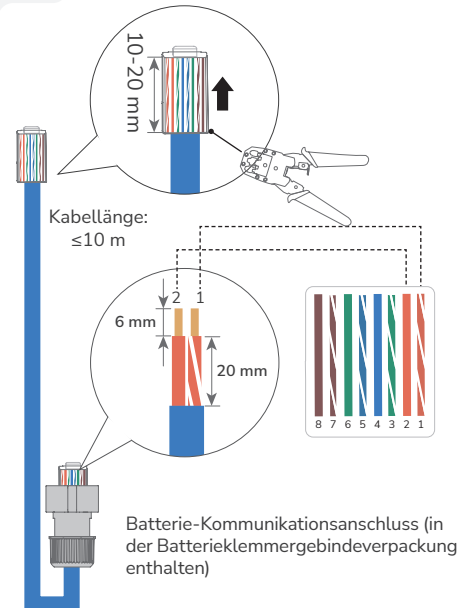


Schutzkappe entfernen.



3

x1 Anschluss der Batteriekommunikationskabel

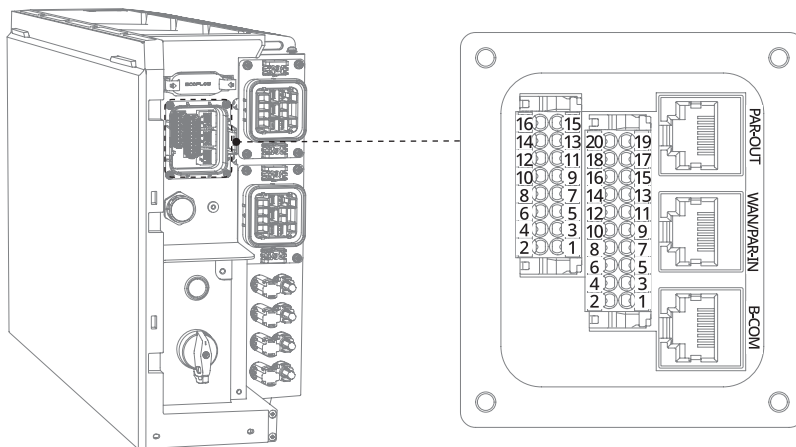


- 1** Einzelheiten zum Verbinden der Erdungsklemmen zwischen den Batterie finden Sie im Abschnitt „Anschließen von PE-Kabeln“ in diesem Leitfaden.

I Installation des COM-Terminals mit Kurzschlussdraht

HINWEIS

- COM-Terminals unterstützen logische Schnittstellenverbindungen. Für einige lokale Vorschriften ist eine Logikschnittstelle erforderlich, die über einen einfachen Schalter oder ein Schütz betätigt werden kann.
- Wenn der Schalter eingeschaltet ist, kann der Wechselrichter normal arbeiten. Wenn der Schalter ausgeschaltet wird, reduziert der Wechselrichter seine Wirkleistung auf null.
- DRM wird nur in Australien und Neuseeland unterstützt.
- Relaiskontakt-Nennleistung der SG_Ready-Pins: 30 V/2 A. Für einen sicheren Betrieb sollte die empfohlene Last $\leq 24 \text{ V}/2 \text{ A}$ betragen.

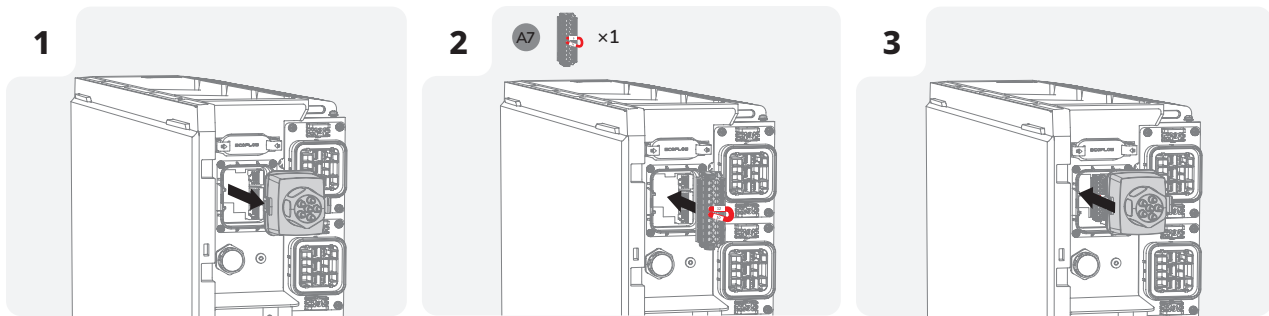


• DEFINITION DES 16-POLIGEN COM-ANSCHLUSSES

Netzunabhängige Parallelkommunikation / Gateway-Kommunikation		RS485-Kommunikation für Ökosystemgeräte	
1	CAN0_H	2	ECO_485_B1
3	CAN0_L	4	ECO_485_A1
5	SYN	6	ECO_485_B2
7	SYN_GND1	8	ECO_485_A2
SG_Ready		AC-gekoppelter Zähler	
9	DO 2_1 (für SG_Ready 2)	10	METER_485_B3
11	DO 2_2 (für SG_Ready 2)	12	METER_485_A3
13	DO 1_1 (für SG_Ready 1)	DC-Ausgang	
15	DO 1_2 (für SG_Ready 1)	14	12 V_OUT
		16	12 V_AGND

• DEFINITION DES 20-POLIGEN COM-ANSCHLUSSES

Signalschirm-Erdung		RCR Kommunikation	
1	PE	2	GND2 (für DRM/RCR)
3	Reserviert	4	DRM0
RCR DI Kommunikation		6	RCR_DI1
5	RCR_DI3	8	RCR_DI2
7	RCR_DI4	Not-Aus-Eingang	
CAN-Kommunikation für Ökosystemgeräte		10	EPO
9	ECO_CAN3_H	12	EPO_GND2
11	ECO_CAN3_L	DI-Kommunikation für Gateway / Generator	
CAN-Kommunikation		14	DI 2
13	CAN4_H	16	DI 2_GND1
15	CAN4_L	DO-Kommunikation für Generator	
DI-Kommunikation für Trockenkontakt-Steuerung (14a)		18	DO 3_1
17	DI 1	20	DO 3_2
19	DI 1_GND2		



• RIPPLE-CONTROL-EMPFÄNGER (RCR)

Der Ripple Control Receiver (RCR) ist eine Schnittstelle zwischen einem PV-System und dem Stromnetzbetreiber, die es dem Netzbetreiber ermöglicht, die eingespeiste Leistung bei Bedarf zu reduzieren. Im Allgemeinen wird das Versorgungsunternehmen bei Überlastung des Netzes angeben, ob die PV-Anlage die Einspeiseleistung auf 0 %, 30 %, 60 % der Nennleistung reduzieren soll. Wenn das Stromnetz nicht überlastet ist, darf die PV-Anlage 100 % der Leistung Eingang. Diese Steuerbefehle werden direkt an den Installateur gesendet und dann vom RCR ausgeführt.

Der RCR verfügt über vier Relais (K1-K4). Die Relais sind potentialfrei und stellen Kontakte her. Die Relais sind miteinander verriegelt. Des Weiteren stellt jedes dieser Relais eine der folgenden Steuerungsstufen dar:

Nr.	K1	K2	K3	K4	Systemsollwert
1	0	0	0	0	100%
2	0	0	0	EIN	0%
3	0	0	EIN	0	30%
4	0	0	EIN	EIN	0%
5	0	EIN	0	0	60%
6	0	EIN	0	EIN	0%
7	0	EIN	EIN	0	30%
8	0	EIN	EIN	EIN	0%
9	EIN	0	0	0	100%
10	EIN	0	0	EIN	100%
11	EIN	0	EIN	0	100%
12	EIN	0	EIN	EIN	100%
13	EIN	EIN	0	0	100%
14	EIN	EIN	0	EIN	100%
15	EIN	EIN	EIN	0	100%
16	EIN	EIN	EIN	EIN	100%

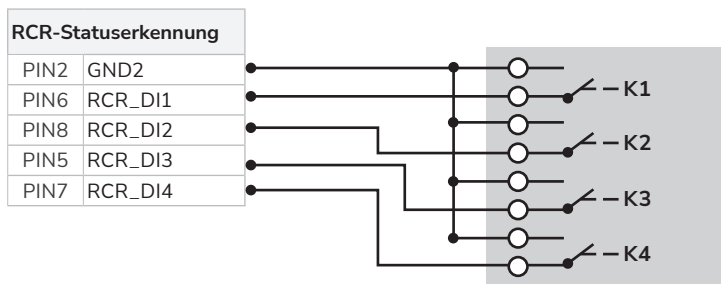
Bitte aktivieren Sie die RCR über die EcoFlow App, in diesem Fall wird die Einspeiseleistungsbegrenzung aktiviert. Der Wechselrichter ist wie folgt mit dem Restwelligkeitsregler-Empfänger verbunden:

RCR_DI1 (PIN6): 100%

RCR_DI2 (PIN8): 60%

RCR_DI3 (PIN5): 30%

RCR_DI4 (PIN7): 0%



Optional) Um die Kabel von den Anschlüssen PAR-OUT / WAN / PAR-IN / B-COM zu trennen, entfernen Sie zuerst die) .16-poligen/20-poligen Kommunikationsanschlüsse

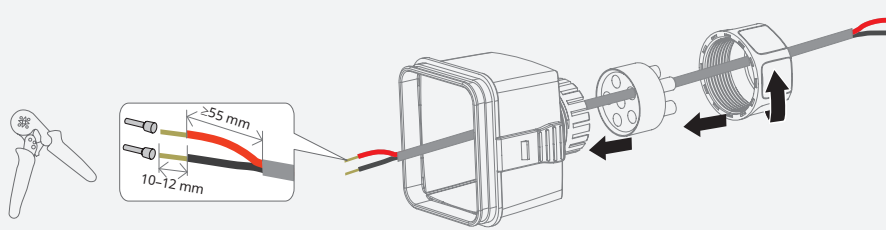


I (Optional) Installation eines Not-Aus-Schalters (EPO)

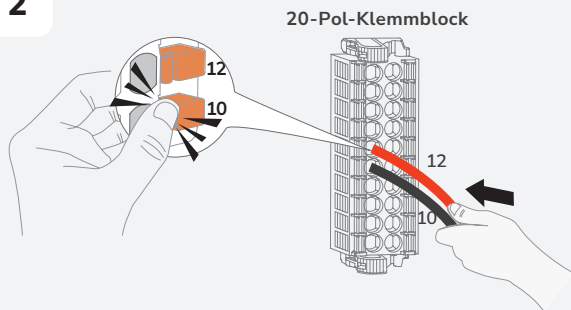
HINWEIS

- Vor dem Einbau von EPO muss der Kurzschlussdraht zwischen PIN10 und PIN12 entfernt werden.

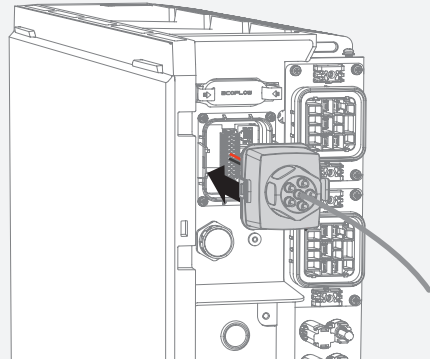
1  x2



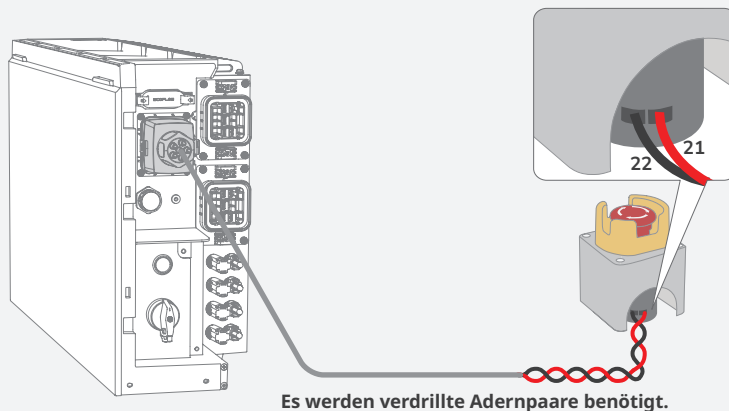
2



3




4



I Vernetzung von Ökosystemgeräten

Das EcoFlow Ocean 2 System unterstützt den Anschluss von Ökosystem-Geräten (EcoFlow PowerHeat, EcoFlow PowerPulse 2, etc.) über die COM-Schnittstelle.

Beachten Sie die Vorgehensweise im Abschnitt „(Optional) Installation des Not-Aus-Schalters (EPO)“ und schließen Sie die Drähte entsprechend der PIN-Belegung der COM-Schnittstelle an. Bitte beachten Sie die Gebrauchsanweisung des jeweiligen Produkts.

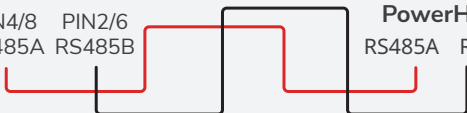
 RS485 / CAN Kommunikationskabellänge: ≤50m

16-Pin COM Port

PIN4/8
RS485A RS485B

EcoFlow PowerHeat

RS485A RS485B



20-Pin COM Port

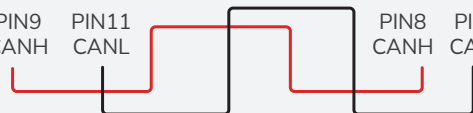
PIN9
CANH

PIN11
CANL

EcoFlow PowerPulse 2

PIN8
CANH

PIN7
CANL



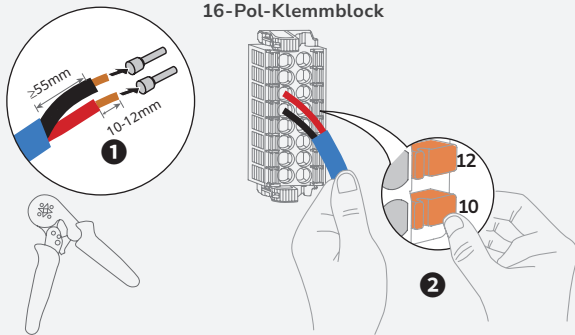
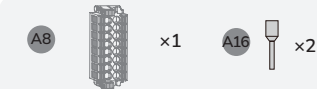
I (Optional) Installation eines Energiezählers für ein Teil-Backup-System

HINWEIS

- Der intelligente Zähler wird separat verkauft und ist vor der Auslieferung mit voreingestellten Parametern versehen. Die entsprechenden Parameter dürfen nicht verändert werden.
- Die Kompatibilität dieses Produkts mit intelligenten Stromzählern kann je nach Region und Version variieren. Detaillierte Anweisungen zur Installation und zum Verdrahtungsschema des intelligenten Zählers für dieses Produkt finden Sie in der dem Zähler beiliegenden Anleitung.
- Die in den Abbildungen gezeigten Kabelfarben dienen nur als Referenz. Wählen Sie Kabel aus, die den örtlich geltenden Bestimmungen entsprechen.
- RS485-Kommunikationskabellänge: ≤50 m
- Für Notstrom-Anwendungen im gesamten Haus ist kein externer Zähler erforderlich.
- Installieren Sie CT-Sensoren mit einem Mindestabstand von 50 cm zu allen anderen Stromkabeln, mit Ausnahme des gemessenen Leiters, der durch den CT geführt werden darf; dies verhindert elektromagnetische Störungen, die die Messgenauigkeit beeinträchtigen könnten.

• MIT CT

1



2

ZÄHLERPROBENAHME

Suchen Sie den Hausanschluss und schließen Sie den Smart Meter wie im Diagramm gezeigt an.

3

ZÄHLERKOMMUNIKATION

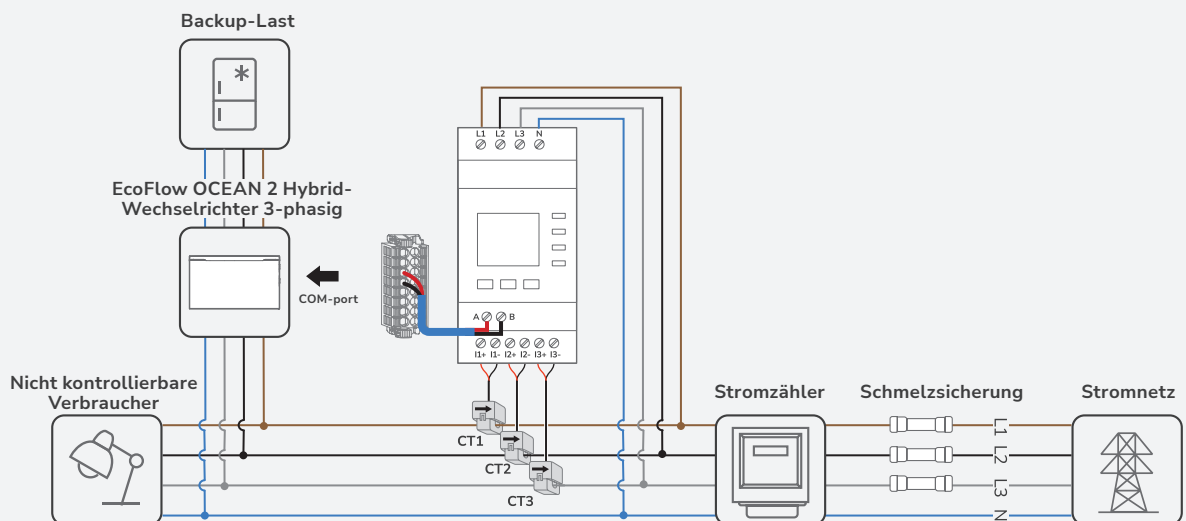
Suchen Sie die Anschluss A und B am Zähler und verbinden Sie diese mit dem Wechselrichter.



L1	Netz L1
L2	Netz L2
L3	Netz L3
N	Netz N
A	RS485A
B	RS485B
I1+	Netz L1 CT
I1-	
I2+	Netz L2 CT
I2-	
I3+	Netz L3 CT
I3-	

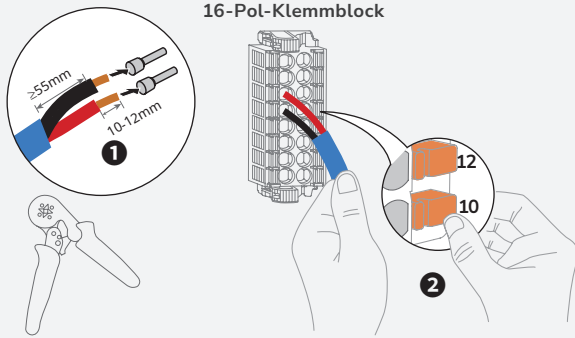
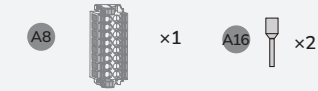
4

KOMMUNIKATIONS-SCHALTPLAN



• OHNE CT

1



2

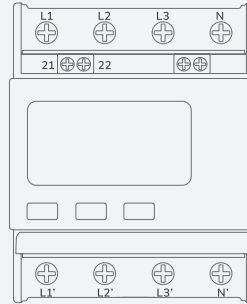
ZÄHLERPROBENAHME

Suchen Sie den Hausanschluss und schließen Sie den Smart Meter wie im Diagramm gezeigt an.

3

ZÄHLERKOMMUNIKATION

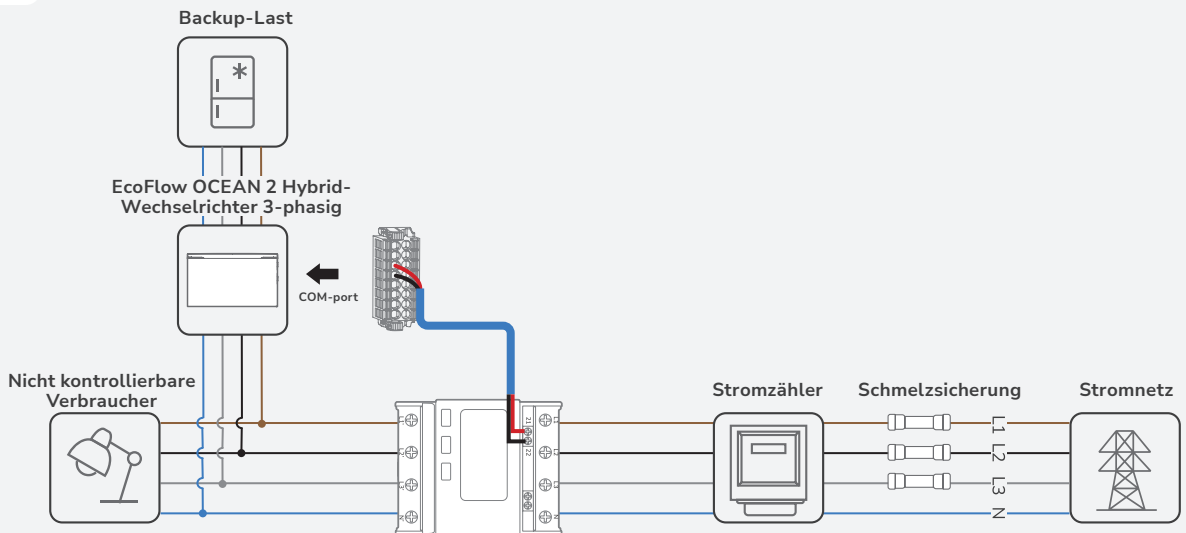
Suchen Sie die Anschluss A und B am Zähler und verbinden Sie diese mit dem Wechselrichter.



L1	Netz L1
L2	Netz L2
L3	Netz L3
N	Netz N
21	RS485A
22	RS485B
L1'	Verbraucher L1
L2'	Verbraucher L2
L3'	Verbraucher L3
N'	Verbraucher N

4

KOMMUNIKATIONS-SCHALTPLAN

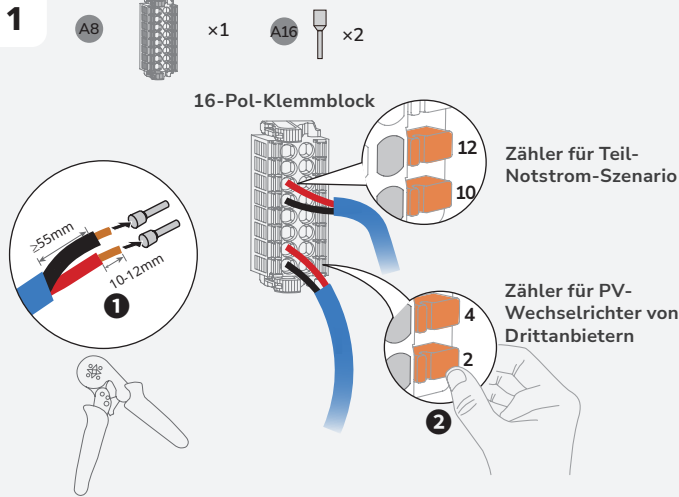


(Optional) Installation eines Energiezählers für Systeme mit PV-Integration von Drittanbietern

HINWEIS

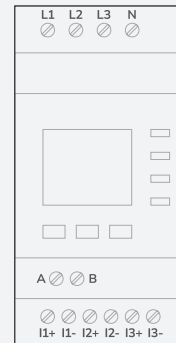
- Es wird empfohlen, ein Netzkabel der Kategorie CAT5 oder höher zu verwenden.
- Der intelligente Zähler wird separat verkauft und ist vor der Auslieferung mit voreingestellten Parametern versehen. Die entsprechenden Parameter dürfen nicht verändert werden.
- Die Kompatibilität dieses Produkts mit intelligenten Stromzählern kann je nach Region und Version variieren. Detaillierte Anweisungen zur Installation und zum Verdrahtungsschema des intelligenten Zählers für dieses Produkt finden Sie in der dem Zähler beiliegenden Anleitung.
- Wenn das bestehende PV-Drittanlagen-System bereits einen eigenen netzseitigen Zähler besitzt, bleiben dessen Zähler-Konfiguration und Verdrahtung beim Anschluss des EcoFlow OCEAN 2-Dreiphasen-Systems unverändert.
- Installieren Sie CT-Sensoren mit einem Mindestabstand von 50 cm zu allen anderen Stromkabeln, mit Ausnahme des gemessenen Leiters, der durch den CT geführt werden darf; dies verhindert elektromagnetische Störungen, die die Messgenauigkeit beeinträchtigen könnten.

• ZÄHLER MIT CT



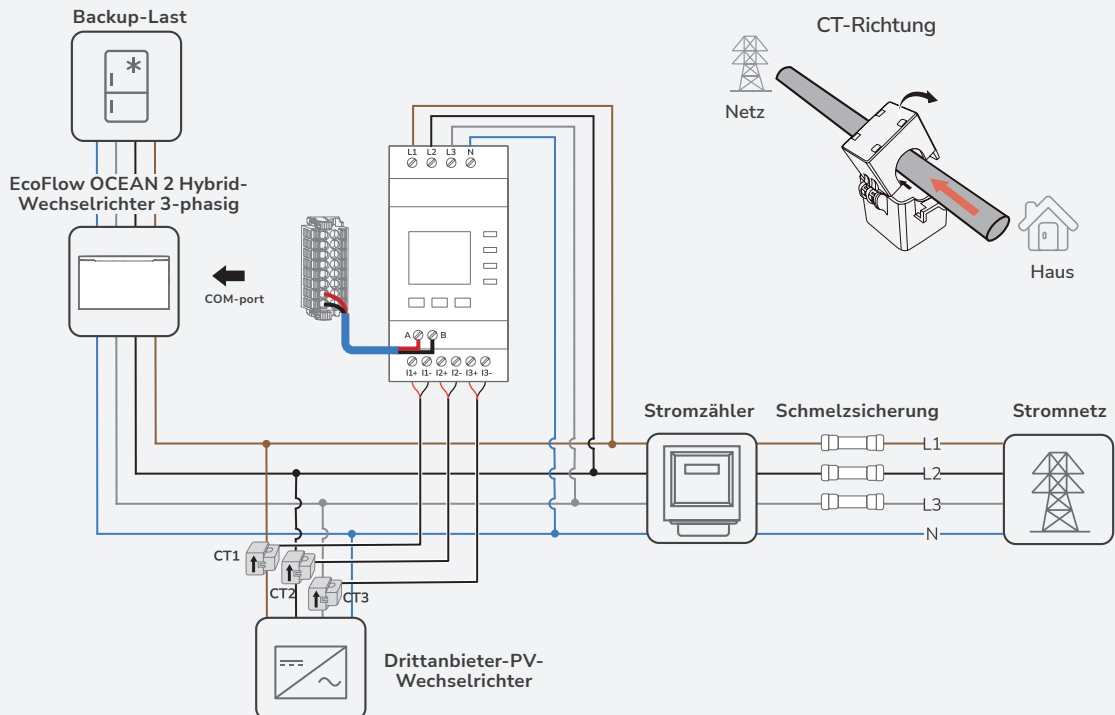
2 **ZÄHLERPROBENAHME**
Suchen Sie den Hausanschluss und schließen Sie den Smart Meter wie im Diagramm gezeigt an.

3 **ZÄHLERKOMMUNIKATION**
Suchen Sie die Anschluss A und B am Zähler und verbinden Sie diese mit dem Wechselrichter.

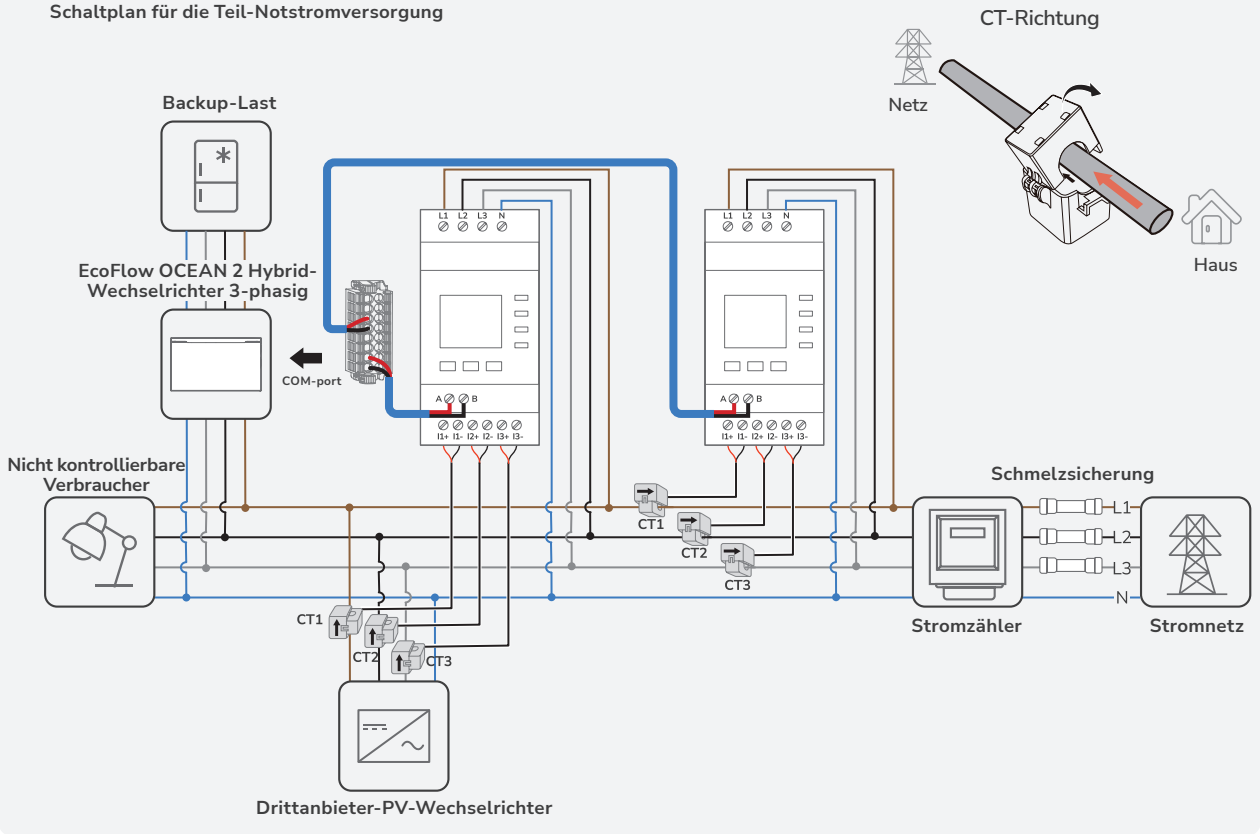


L1	Netz L1
L2	Netz L2
L3	Netz L3
N	Netz N
A	RS485A
B	RS485B
I1+	Netz L1 CT
I1-	
I2+	Netz L2 CT
I2-	
I3+	Netz L3 CT
I3-	

4 Schaltplan für die gesamte Hausnotstromversorgung

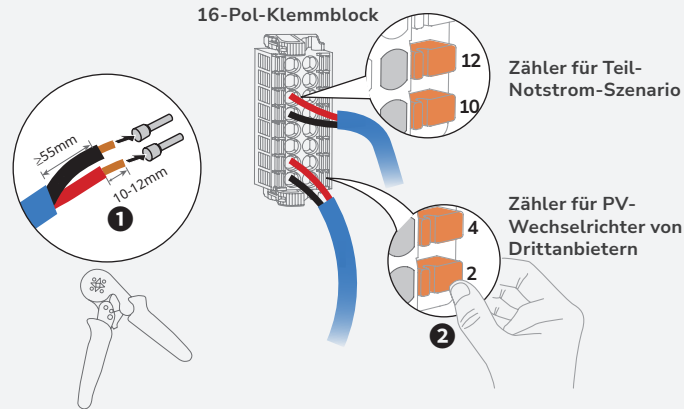
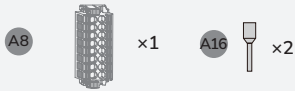


Schaltplan für die Teil-Notstromversorgung



• OHNE CT

1



2

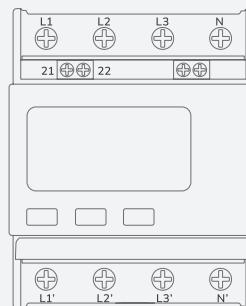
ZÄHLERPROBENAHME

Suchen Sie den Hausanschluss und schließen Sie den Smart Meter wie im Diagramm gezeigt an.

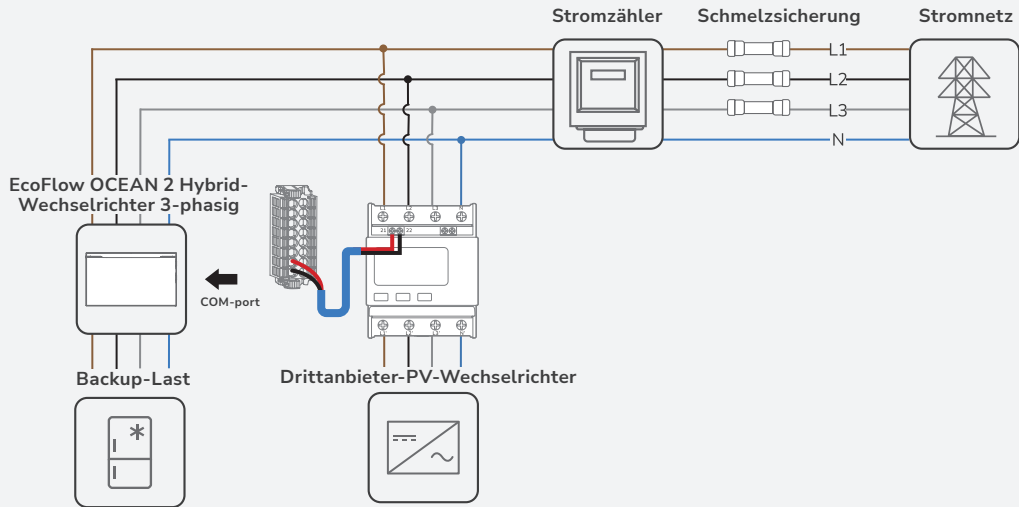
3

ZÄHLERKOMMUNIKATION

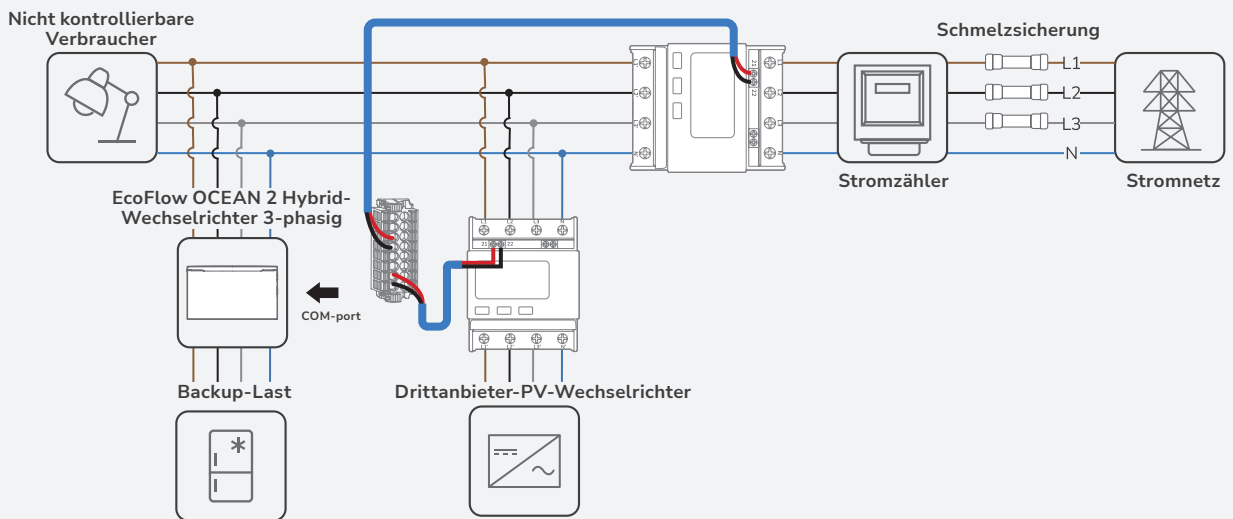
Suchen Sie die Anschluss A und B am Zähler und verbinden Sie diese mit dem Wechselrichter.



L1	Netz L1
L2	Netz L2
L3	Netz L3
N	Netz N
21	RS485A
22	RS485B
L1'	Verbraucher L1
L2'	Verbraucher L2
L3'	Verbraucher L3
N'	Verbraucher N



Schaltplan für die Teil-Notstromversorgung

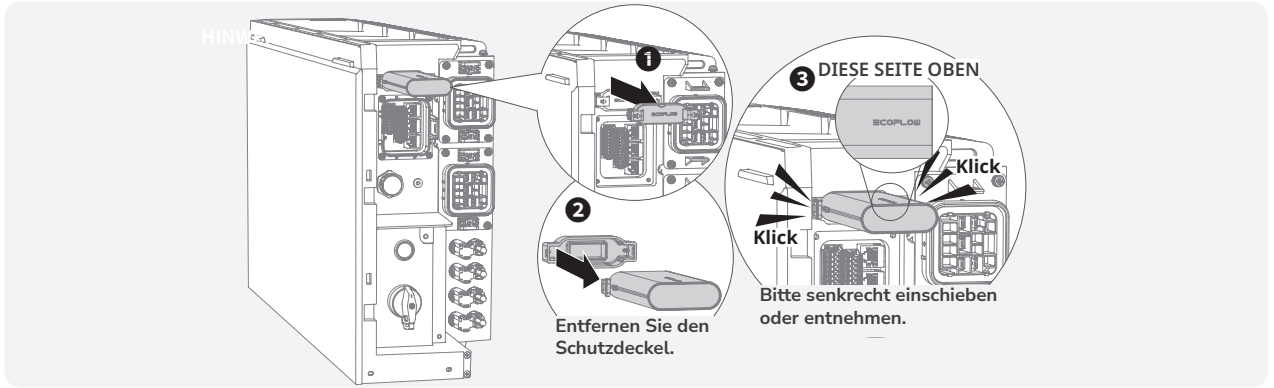


I Mit dem Internet verbinden

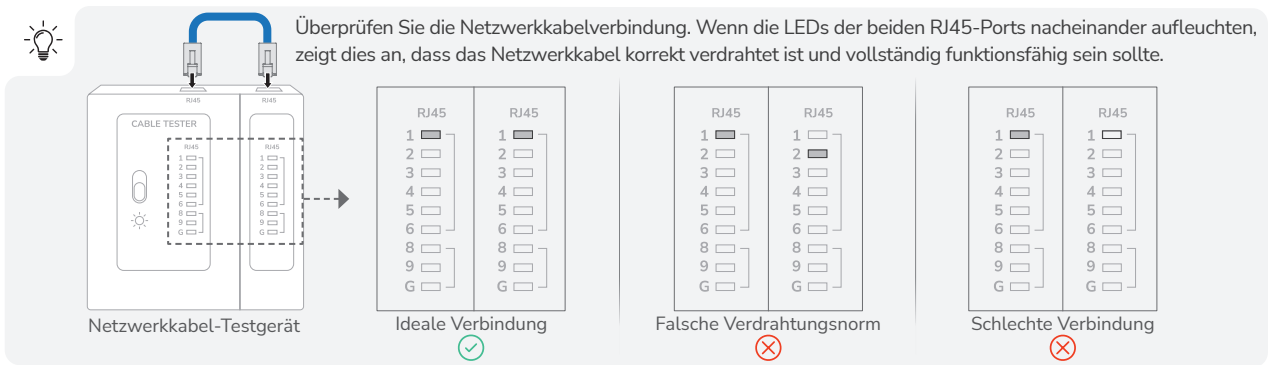
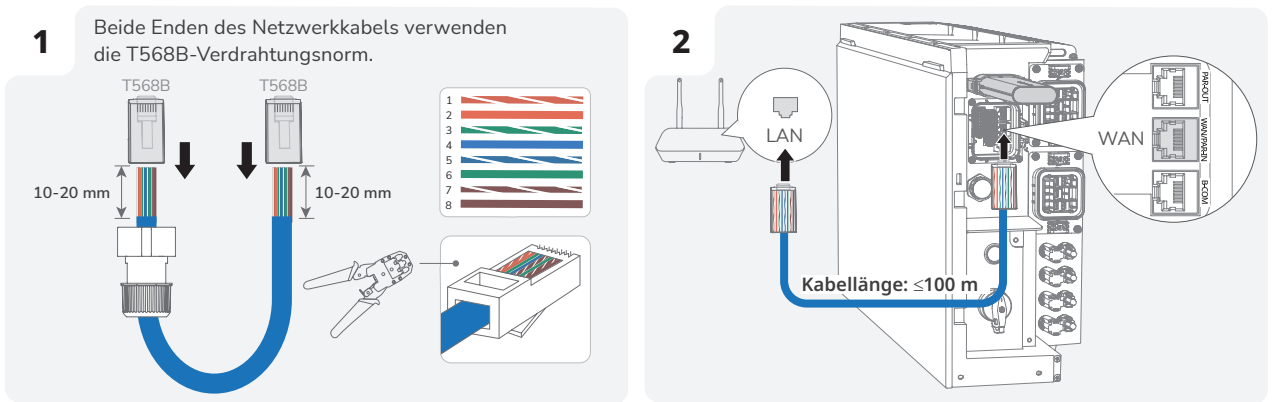
HINWEIS

- Verwenden Sie für eine stabile Verbindung ein geschirmtes Netzwerkkabel der Kategorie CAT 5 oder höher.
- Weitere Informationen zum EcoFlow WLAN-Dongle ESS sowie das Handbuch finden Sie auf der folgenden Website: <https://energy.ecoflow.com/eu/documentation>
- Der WLAN-Dongle dient zur kabelgebundenen und drahtlos WLAN- oder Bluetooth Kommunikation zwischen Wechselrichtern und der EcoFlow App.
- Zur Gewährleistung höchster Zuverlässigkeit ist eine Kabelverbindung zu bevorzugen. Bei drahtloser Verbindung ist das 2,4-GHz-Band zu verwenden (5 GHz vermeiden) und eine freie Sichtverbindung zwischen Router und OCEAN 2 Dongle sicherzustellen.

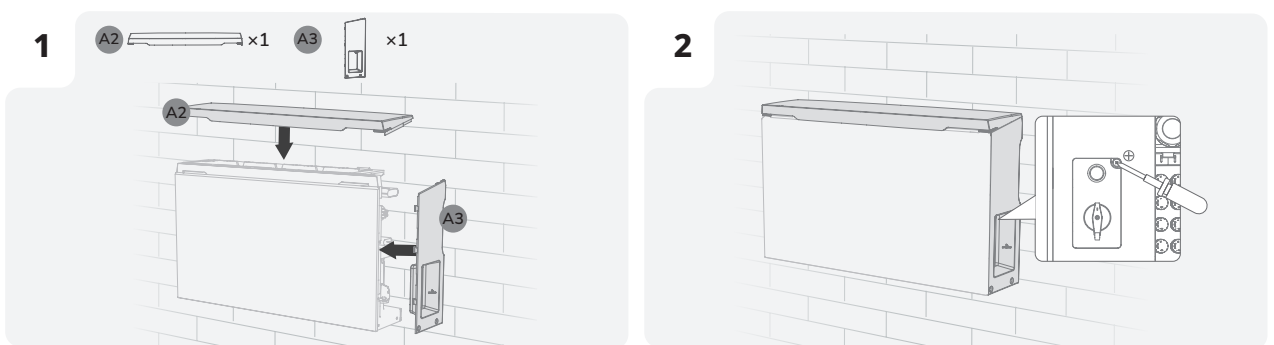
• **METHODE 1: ÜBER EIN DRAHTLOSES NETZWERK**



• **METHODE 2: ÜBER EIN KABELGEBUNDENES NETZWERK**



I Montage von Abdeckungen



Inbetriebnahme des Systems

I Überprüfung vor dem Einschalten

Element prüfen	Akzeptanzkriterien
Ausrüstung	Die Geräte sind fachgerecht und sicher installiert.
Kabelführung	Die Kabel werden gemäß den Kundenanforderungen ordnungsgemäß verlegt.
Kabelbinder	Die Kabelbinder sind gleichmäßig verteilt und es sind keine Grate vorhanden.
Erdung	Die PE-Kabel sind korrekt, sicher und zuverlässig angeschlossen.
Schalter	Alle mit dem System verbundenen Schalter sind AUS.
Kabelverbindung	Das AC-/DC-Stromkabel, das Batteriekabel und das Kommunikationskabel sind korrekt, sicher und zuverlässig angeschlossen.
Unbenutzte Klemme und Anschluss	Nicht verwendete Klemmen und Anschlüsse werden durch wasserdichte Abdeckungen verschlossen.
Installationsumgebung	Der Installation ist geeignet und die Installation ist sauber und ordentlich.

I Einschalten des Systems

• ABLAUF (PV-MODUL KONFIGURIERT)

- (Optional) Den BATTERIESCHALTER (nur französische Version) auf die Position EIN stellen.
- Stellen Sie den PV-SCHALTER auf die Position EIN.
- Schalten Sie den AC-Schalter zwischen dem Wechselrichter und dem Stromnetz ein.
- Beobachten Sie die LED, um den Betriebsstatus zu überprüfen.

• ABLAUF (KEIN PV-MODUL KONFIGURIERT)

- (Optional) Den BATTERIESCHALTER (nur französische Version) auf die Position EIN stellen.
- Stellen Sie den PV-SCHALTER auf die Position EIN.
- Schalten Sie den AC-Schalter zwischen dem Wechselrichter und dem Stromnetz ein.
- Nach der Inbetriebnahme die BATTERIE EIN/AUS-Taste drei Sekunden lang gedrückt halten.
- Beobachten Sie die LED, um den Betriebsstatus zu überprüfen.

I Ausschalten des Systems

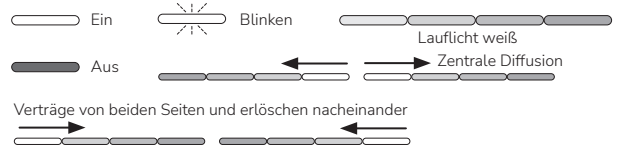
Vor der Installation, Inbetriebnahme und Wartung des Geräts muss dieses stets von der Stromversorgung getrennt werden.

⚠️ WARNUNG

- Nachdem das System ausgeschaltet wurde, kann es durch den noch vorhandenen Reststrom und die Hitze zu Stromschlag oder Verbrennungen kommen. Ziehen Sie daher Schutzhandschuhe an, und warten Sie nach dem Ausschalten mindestens 5 Minuten, bevor Sie das Gerät handhaben.
- Senden Sie einen Abschaltbefehl an die App.
 - Schalten Sie den AC-Schalter zwischen dem Wechselrichter und dem Stromnetz aus.
 - Stellen Sie den PV-SCHALTER auf die Position AUS.
 - (Optional) Sichern Sie den PV-SCHALTER mit einem Schloss, um eine versehentliche Inbetriebnahme zu verhindern. Das Schloss wird vom Kunden vorbereitet.
 - (Optional) Den BATTERIESCHALTER (nur französische Version) in die Position AUS stellen.
 - (Optional) Sichern Sie den BATTERIESCHALTER (nur französische Version) mit einem Schloss, um ein versehentliches Einschalten zu verhindern. Das Schloss wird vom Kunden vorbereitet.
 - Drücken Sie die Taste BATTERIE EIN/AUS und halten Sie sie 10 Sekunden lang gedrückt, bis die Anzeige erlischt.

- Trennen Sie nacheinander die NETZ-Kabel, die PV-Eingangskabel, die Batteriekabel, die Kommunikationskabel und alle mit dem System verbundenen Module.

I LED-Anzeigen



• TÄGLICHER GEBRAUCH

Einschalten	Beschreibung
	Einschalten
Ausschalten	Beschreibung
	Abschaltung
Ladestatus	Beschreibung
	0-25 %
	25-50 %
	50-75 %
	75-100 %
	100 %
Entladestatus	Beschreibung
	1-10 % (niedrige Batteriekapazität)
	11-24 %
	25-49 %
	50-74 %
	75-100 %

• INSTALLATION/INBETRIEBNAHME

Over-the-Air-Updates / Selbstprüfungsstatus	Beschreibung
	Aktualisierung über Mobilfunk oder Selbstprüfung läuft.
WLAN Einrichtungsstatus	Beschreibung
	Erst atmet es weiß, dann blinkt es. WLAN Kopplung läuft

• ABNORMAL/FEHLERHAFT

Fehlerstatus	Beschreibung
	Fehler in der elektrischen Verbindung festgestellt
	Kommunikationsfehler erkannt
	Batteriefehler erkannt
	Wechselrichterfehler erkannt

I Inbetriebnahme des Systems

1 LADEN SIE DIE ECOFLOW PRO-APP HERUNTER UND INSTALLIEREN SIE SIE. (NUR FÜR DEN INSTALLATEUR)

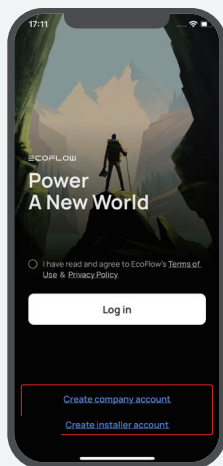
Scannen Sie den QR-Code oder laden Sie ihn herunter unter:

<https://download.ecoflow.com/ecoflowproapp>



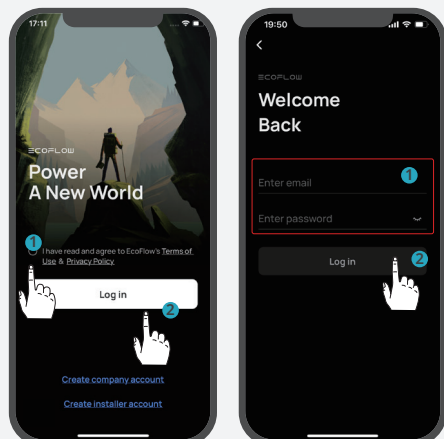
2 BENUTZERKONTO ERSTELLEN

Erstellen Sie Ihr Firmen- oder Installateurkonto.



3 ANMELDEN

Geben Sie das Benutzerkonto und das Passwort des Installateurs ein.

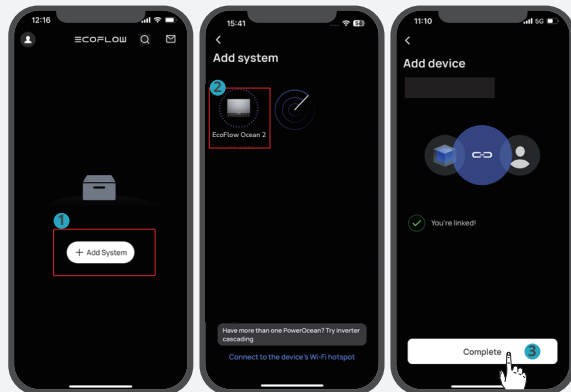


4 SYSTEM HINZUFÜGEN

Sie können sich über Bluetooth oder WLAN mit dem System verbinden.

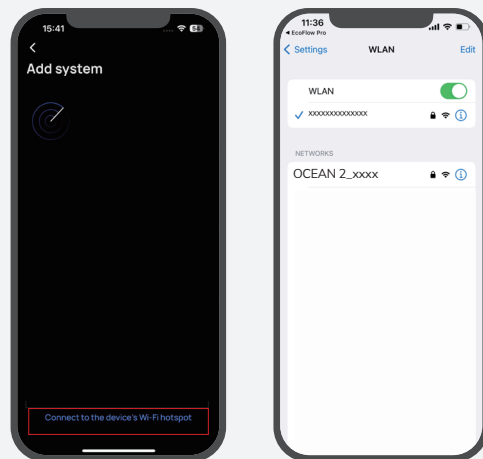
•Über Bluetooth

Tippen Sie auf „System hinzufügen“, um automatisch nach Bluetooth-Geräten in der Nähe zu suchen, tippen Sie auf „EcoFlow Ocean 2“, um die Verbindung herzustellen, und tippen Sie anschließend auf „Fertigstellen“, um fortzufahren.



•Über WLAN

1. Tippen Sie auf „System hinzufügen“ und anschließend auf „Mit dem WLAN-Hotspot des Geräts verbinden“, um auf die WLAN-Einstellungen Ihres Telefons zuzugreifen.
2. Tippen Sie auf „EcoFlow Ocean. 2“ und geben Sie das Passwort für das WLAN ein. Das Passwort sind die letzten 8 Ziffern der Seriennummer des Wechselrichters, die auf dem Typenschild des Produkts zu finden ist.



5

INBETRIEBNAHME

Nach erfolgreicher Geräteanbindung durchläuft das Gerät den vierstufigen Inbetriebnahme-Prozess.

Schritt 1: Internet Einrichtung

Tippen Sie auf „Internet-Setup“, um die Netzwerkkonfiguration zu starten.

• WLAN

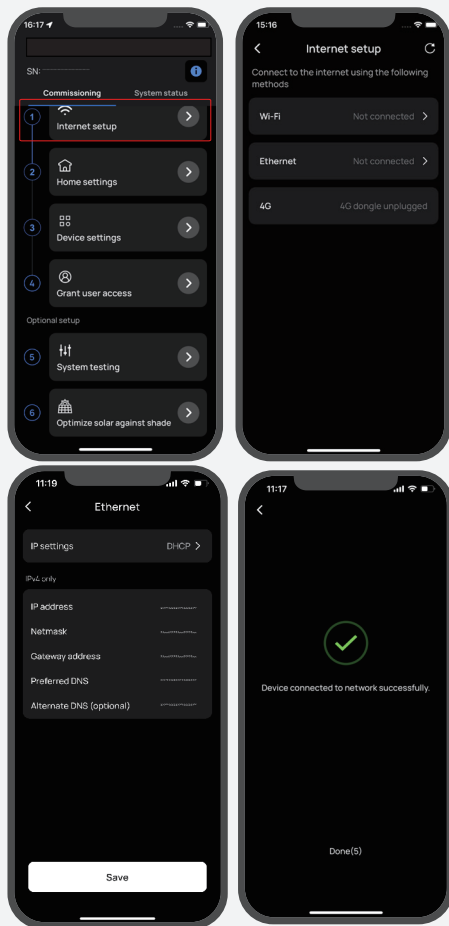
Wählen Sie **WLAN**, wählen Sie dasentsprechende **Netzwerk** und geben Sie dasPasswort ein.

• Ethernet

Verbinden Sie das System über ein Netzwerkkabel im DHCP- oder statischen Modus mit einem Router.

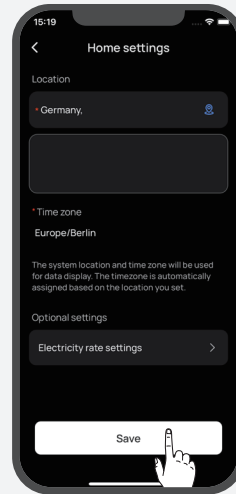
- Im Standardmodus DHCP bezieht das Gerät automatisch eine IP-Adresse (empfohlen).

- Im statischen Modus sollte der Netzwerkadministrator (Hausbesitzer) dem Gerät eine gültige IP-Adresse zuweisen. Um IP-Adresskonflikte zu vermeiden, überprüfen Sie die IP-Adressen anderer Geräte im Netzwerk, indem Sie auf die Router-Einstellungen zugreifen.



Schritt 2: Hauseinstellungen

Tippen Sie auf „Hauseinstellungen“, um die entsprechende Hausadresse einzugeben und gegebenenfalls den Stromtarif festzulegen.



Schritt 3: Geräteeinstellungen

Tippen Sie auf „Geräteeinstellungen“, um zu überprüfen, ob die Geräte in der Geräteliste mit den verbundenen Geräten übereinstimmen.

• Führen Sie einen Systemcheck durch, um die Verbindung zu bestätigen (während der Erstinbetriebnahme).

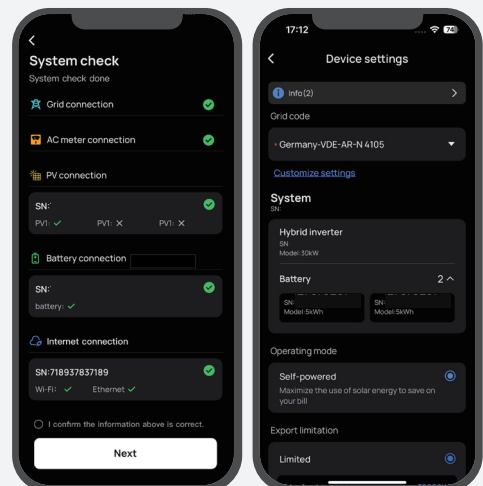
• Firmware aktualisieren (empfohlen)

• Netzcode, Systembetriebsmodus, Einspeiseleistungsbegrenzung usw. einstellen.

• Legen Sie Verbindungsparameter, Spannung usw. in **den Einstellungen fest**.

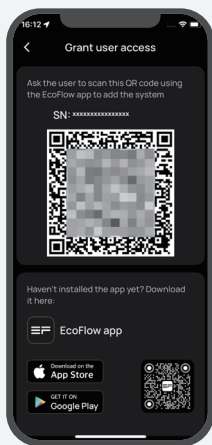


Beachten Sie die örtlichen Vorschriften, wenn Sie einen dieser Parameter ändern müssen, und kontaktieren Sie vorher Ihren örtlichen Energieversorger.



Schritt 4: Benutzerzugriff gewähren

Tippen Sie auf „Benutzerzugriff gewähren“, um einen Zugriffs-QR-Code zu generieren, mit dem der Hausbesitzer das System verbinden kann, nachdem er das Gerät in der EcoFlow App hinzugefügt hat.



Schritt 5: Optionale Einrichtung

- Systemtests für netzgekoppelte und netzunabhängige Funktionen sowie für die aktive DI-Planung.
- Optimieren Sie die Sonneneinstrahlung gegen Schatten.

Anhang

Wichtige Informationen zur Kaskadierung von Wechselrichtern

⚠️ WARNUNG

- Schalten Sie die Netzstromversorgung ab und schalten Sie gegebenenfalls die Notstromversorgung ein, bevor Sie die Wechselrichter kaskadieren.
- Schalten Sie die Leitungsschutzschalter der Verbraucher in die AUS-Position, da sonst der Selbsttest der Verkabelung fehlerhaft sein könnte.
- Stellen Sie sicher, dass die Firmware Version auf dem neuesten Stand ist, bevor Sie die Kaskadierung durchführen.

HINWEIS

- Es wird nur die Kaskadierung von Wechselrichtern desselben Modells unterstützt.
- Die Kaskadierung verschiedener Ocean 2-Produkte wird nicht unterstützt.

Prüfen Sie anhand der folgenden Punkte, ob die Installation (bis zu 2 Einheiten) abgeschlossen ist.

Hilfe für Hausbesitzer bei der Ersteinrichtung der App

1. Laden Sie die EcoFlow App herunter und installieren Sie sie.

Scannen Sie den QR-Code oder laden Sie ihn herunter unter:

<https://download.ecoflow.com/app>



EcoFlow App



2. Neues Konto erstellen und anmelden.

3. Gerät manuell hinzufügen oder Bluetooth verwenden.

4. QR-Code für Benutzerlizenz scannen

Der Hausbesitzer scannt den auf dem Telefon des Installateurs angezeigten System-QR-Code, um das Gerät zu binden.

Element prüfen	Hinweis
Stromkabelanschluss	Siehe „ Schaltplan “. Schließen Sie den NS-Schutz gemäß den örtlichen Vorschriften an, bevor Sie die Verkabelung an das Stromnetz anschließen.
Kommunikation	Verwenden Sie das Wechselrichter-Kaskadenkabel, um 2 PAR-Anschlüsse von Wechselrichtern zu verbinden, und schließen Sie die verbleibenden 2 PAR-Anschlüsse mit Abschlusswiderständen an. Siehe „ Kommunikation zwischen kaskadierten Wechselrichtern “.
Messung	Schließen Sie einen EcoFlow Smart Meter an, wenn Sie Wechselrichter kaskadieren. Siehe „Anschluss des Smart Meters“.
Mit dem Internet verbinden	Schließen Sie den EcoFlow WLAN-Dongle ESS an beide Wechselrichter an.
Inbetriebnahme des Systems	Führen Sie im nächsten Schritt die Systeminbetriebnahme und die Verkabelungsprüfung in der EcoFlow Pro App durch. Andernfalls könnte das System beschädigt werden. Vor der Inbetriebnahme muss sichergestellt werden, dass alle Verbraucher abgeklemmt sind. 1. Gehen Sie zu den Starteinstellungen > Geräteeinstellungen zur Durchführung der Systemprüfung (für jeden Wechselrichter). 2. Schalten Sie den verbraucherseitigen Leistungsschalter des Sekundärwechselrichters ein. 3. Tippen Sie auf Gerät hinzufügen > Wechselrichter-Kaskadierung einrichten und tippen Sie auf Weiter zur Verdrahtungsprüfung (für die Wechselrichter-Kaskadierung). 4. Gehen Sie zu Home-Einstellungen > Geräteeinstellungen , um die Systemprüfung ERNEUT durchzuführen (für jeden Wechselrichter). 5. Nach der Einrichtung schalten Sie EPO aus, tippen Sie in der App auf Aktualisieren und schalten Sie den verbraucherseitigen Leistungsschalter der Backup-Verbraucher ein. Die Wechselrichteranzeige leuchtet weiß.



PAP
Raccolta carta